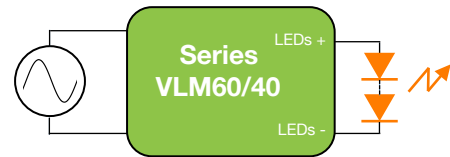


## 60 & 40 W, Efficient, Compact Constant Voltage Class 2 LED Drivers

Nominal Input Voltage	Max. Output Power	Nominal Output Voltage	Max. Output Current	Efficiency	Max. Case Temperature	THD	Power Factor
120 to 277 Vac	60 W	12, 24, 48 Vdc	5, 2.5, 1.25 A	up to 90% typical	90°C (measured at the hot spot)	< 20%	> 0.9



**Aluminum Case:**  
L 130 x W 19.05 x H 19.05 mm  
(L 5.12 x W 0.75 x H 0.75 in)



**Typical Application Diagram**

### ORDERING INFORMATION

ERP Part Number	Nominal Input Voltage (Vac)	Pout Max (W)	Vout Nom (Vdc)	Iout Min (A)	Iout Max (A)	Open Loop Voltage (No Load Vout Max) (Vdc)
<b>VLM40</b>						
VLM40W-12	120 to 277	40	12	0.1	3.3	12.84
VLM40W-24	120 to 277	40	24	0.05	1.67	25.68
VLM40W-48	120 to 277	40	48	0.025	0.83	51.36
<b>VLM60</b>						
VLM60W-12	120 to 277	60	12	0.1	5	12.84
VLM60W-24	120 to 277	60	24	0.05	2.5	25.68
VLM60W-48	120 to 277	60	48	0.025	1.25	51.36



**Wiring Diagram**

### FEATURES

- Very high power density of 20 W/in<sup>3</sup>
- Class 2 power supply
- IP20-rated case with silicone-based potting
- 90°C maximum case hot spot temperature
- Complies with ENERGY STAR®, DLC (DesignLight Consortium®) CA Title 24 and CA Title 24 technical requirements
- Lifetime: 50,000 hours min at 70°C case temperature
- UL Class P
- Worldwide safety approvals



### TYPICAL APPLICATIONS

- Strip lights
- Pendants
- Linears
- Cove Lights



## 60 & 40 W, Efficient, Compact Constant Voltage Class 2 LED Drivers

### 1 - INPUT SPECIFICATION (@25°C ambient temperature)

	Units	Minimum	Typical	Maximum	Notes
<b>Input Voltage Range (Vin)</b>	Vac	90	120, 230, 277	305	<ul style="list-style-type: none"> <li>The rated output voltage for each model is achieved at <math>V_{in} \geq 105</math> Vac &amp; at <math>V_{in} \geq 198</math> Vac</li> <li>At maximum load</li> </ul>
<b>Input Frequency Range</b>	Hz	47	50/60	63	
<b>Input Current (Iin)</b>	A			0.7 A @ 120 Vac 0.4 A @ 230 vac 0.3 A @ 277 Vac	
<b>Power Factor (PF)</b>		0.9	> 0.9		<ul style="list-style-type: none"> <li>At nominal input voltage</li> <li>From 100% to 60% of rated power</li> </ul>
<b>Inrush Current</b>	A	Meets NEMA-410 requirements			At any point on the sine wave and 25°C
<b>Leakage Current</b>	$\mu$ A			400 $\mu$ A @ 120 Vac 800 $\mu$ A @ 230 Vac 920 $\mu$ A @ 277 Vac	Measured per IEC60950-1
<b>Input Harmonics</b>	Complies with IEC61000-3-2 for Class C equipment				
<b>Total Harmonics Distortion (THD)</b>				20%	<ul style="list-style-type: none"> <li>At nominal input voltage</li> <li>From 100% to 60% of rated power</li> <li>Complies with DLC (Design Light Consortium) technical requirements</li> </ul>
<b>Efficiency</b>	%	-	up to 90%	-	Measured with nominal input voltage
<b>Isolation</b>	The AC input to the main DC output is isolated and meets Class II reinforced/double insulation power supply <input type="checkbox"/>				

### 2 - MAIN OUTPUT SPECIFICATION (@25°C ambient temperature)

	Units	Minimum	Typical	Maximum	Notes
<b>Output Voltage (Vout)</b>	Vdc		12, 24, 48		See ordering information for details
<b>Output Current (Iout)</b>	A			12 Vdc: 5.0 A 24 Vdc: 2.5 A 48 Vdc: 1.25 A	The rated output voltage for each model is achieved at $V_{in} \geq 105$ Vac & at $V_{in} \geq 198$ Vac.
<b>Output Voltage Regulation</b>	%	-5		5	<ul style="list-style-type: none"> <li>At nominal AC line voltage</li> <li>Includes load and current set point variations.</li> </ul>
<b>Output Voltage Overshoot</b>	%	-	-	10	The driver does not operate outside of the regulation requirements for more than 500 ms during power on with maximum load.
<b>Ripple Voltage</b>	$\leq 5\%$ of rated output voltage for each model				<ul style="list-style-type: none"> <li>Measured at maximum load and nominal input voltage</li> <li>Calculated in accordance with the IES Lighting Handbook, 9th edition</li> </ul>
<b>Start-up Time</b>	ms			500	<ul style="list-style-type: none"> <li>Measured from application of AC line voltage to 100% light output</li> <li>Complies with California Title 24 and ENERGY STAR® luminaire specification.</li> </ul>



# VLM60/40 Series

**VLM60 60 W**  
**VLM40 40 W**

## 60 & 40 W, Efficient, Compact Constant Voltage Class 2 LED Drivers

### 3 - ENVIRONMENTAL CONDITIONS

	Units	Minimum	Typical	Maximum	Notes
<b>Operating Ambient Temperature (Ta)</b>	°C	-20		50	50°C is the non-derated temperature (Refer to section 6 "Output power de-rating at higher temperatures").
<b>Maximum Case Temperature (Tc)</b>	°C			+90	Case temperature measured at the hot spot •tc (see label in page 9)
<b>Storage Temperature</b>	°C	-40		+85	
<b>Humidity</b>	%	5	-	95	Non-condensing
<b>Cooling</b>	Convection cooled				
<b>Acoustic Noise</b>	dBA			22	Measured at a distance of 1 foot (30 cm)
<b>Mechanical Shock Protection</b>	per EN60068-2-27				
<b>Vibration Protection</b>	per EN60068-2-6 & EN60068-2-64				
<b>MTBF</b>	> 200,000 hours when operated at nominal input and output conditions, and at Tc ≤ 70°C				
<b>Lifetime</b>	50,000 hours at Tc ≤ 70°C maximum case hot spot temperature (see hot spot •tc on label in page 9)				

### 4 - EMC COMPLIANCE AND SAFETY APPROVALS

EMC Compliance			
<b>Conducted and Radiated EMI</b>	•FCC CFR Title 47 Part 15 Class B at 120 Vac and Class A at 277 Vac •EN55015 (CISPR 15) compliant at 220, 230, and 240 Vac		
<b>Harmonic Current Emissions</b>	IEC61000-3-2	For Class C equipment	
<b>Voltage Fluctuations &amp; Flicker</b>	IEC61000-3-3		
<b>Immunity Compliance</b>	<b>ESD (Electrostatic Discharge)</b>	IEC61000-4-2	6 kV contact discharge, 8 kV air discharge, level 3
	<b>RF Electromagnetic Field Susceptibility</b>	IEC61000-4-3	3 V/m, 80 - 1000 MHz, 80% modulated at a distance of 3 meters
	<b>Electrical Fast Transient</b>	IEC61000-4-4	± 2 kV on AC power port for 1 minute, ±1 kV on signal/control lines
	<b>Surge</b>	IEC61000-4-5	•± 2 kV line to line (differential mode) /± 2 kV line to common mode ground (tested to secondary ground) on AC power port, ±0.5 kV for outdoor cables •Higher surge is available. Please contact your ERP representative or send an email to SaveEnergy@erp-power.com.
		ANSI/IEEE c62.41.1-2002 & c62.41.2-2002 category A, 2.5 kV ring wave	
<b>Conducted RF Disturbances</b>	IEC61000-4-6	3V, 0.15-80 MHz, 80% modulated	
<b>Voltage Dips</b>	IEC61000-4-11	>95% dip, 0.5 period; 30% dip, 25 periods; 95% reduction, 250 periods	

#### Safety Agency Approvals

<b>UL</b>	UL8750 listed Class 2
<b>cUL</b>	CAN/CSA C22.2 No. 250.13-14 LED equipment for lighting applications
<b>CE</b>	IEC61347-2-13 electronic control gear for LED Modules & EN55015 (EMC compliance)

#### Safety

	Units	Minimum	Typical	Maximum	Notes
<b>Hi Pot (High Potential) or Dielectric voltage-withstand</b>	Vdc	2500			• Insulation between the input (AC line and Neutral) and the output • Tested at the RMS voltage equivalent of 1767 Vac

## 60 & 40 W, Efficient, Compact Constant Voltage Class 2 LED Drivers

### 5 - PROTECTION FEATURES

#### Under-Voltage (Brownout)

The VLM60/40 series provides protection circuitry such that an application of an input voltage below the minimum stated in section 1 (Input Specification) shall not cause damage to the driver.

#### Short Circuit and Over Current Protection

The VLM60/40 series is protected against short-circuit such that a short from any output to return shall not result in a fire hazard or shock hazard. The driver shall hiccup as a result of a short circuit or over current fault. Removal of the fault will return the driver to within normal operation. The driver shall recover, with no damage, from a short across the output for an indefinite period of time.

#### Internal Over temperature Protection

The VLM60/40 is equipped with an internal temperature sensor on the primary power train. Failure to stay within the convection power rating will cause the driver to shut down. The main output current will be resumed when the temperature of the built-in temperature sensor cools adequately.

#### Output Open Load

A no load condition will not damage the VLM60/40 or cause a hazardous condition. The driver will remain stable and operate normally after application of a load. When the LED load is removed, the output voltage of the VLM60/40 series is limited to 7% about the output voltage of each model.

#### Over Power Protection

The VLM60/40 will shut down and auto recover when its input power exceeds approximately 110% of 96 W. This condition will cause no damage to the power supply.

#### Input Over Current Protection

The VLM60/40 series incorporates a primary AC line fuse for input over current protection.

### 6 - OUTPUT POWER DE-RATING AT ELEVATED TEMPERATURES

The VLM60/40 series can be operated with cooling air temperatures above 50°C by linearly de-rating the total maximum output power (or current) by 2.5%/°C from 50°C to 70°C (see figure 1).

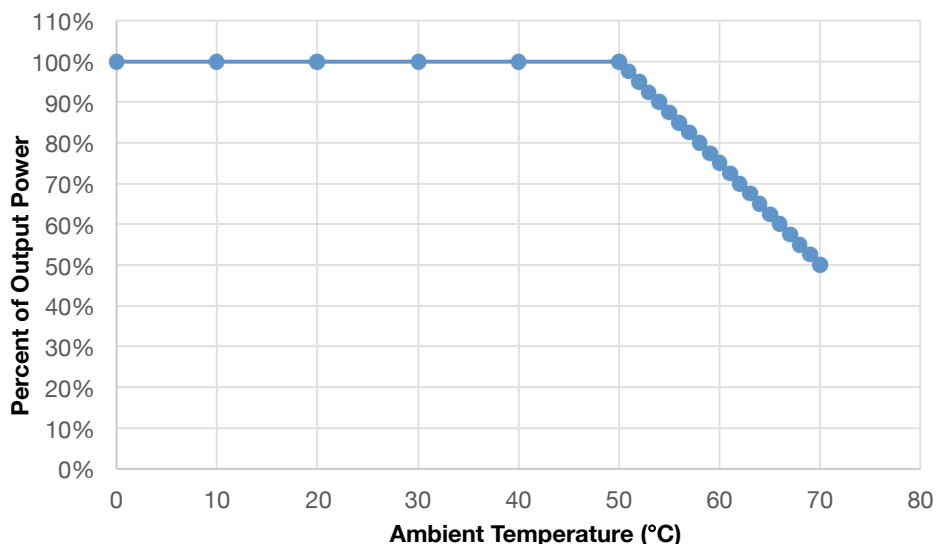


Figure 1

## 60 & 40 W, Efficient, Compact Constant Voltage Class 2 LED Drivers

### 7 - PREDICTED LIFETIME VERSUS CASE AND AMBIENT TEMPERATURE

Lifetime is defined by the measurement of the temperatures of all the electrolytic capacitors whose failure would affect light output under the nominal LED load and worst case AC line voltage. The graphs in figure 1 are determined by the electrolytic capacitor with the shortest lifetime, among all electrolytic capacitors. It represents a worst case scenario in which the LED driver is powered 24 hours/day, 7 days/week. The lifetime of an electrolytic capacitor is measured when any of the following changes in performance are observed:

- 1) Capacitance changes more than 20% of initial value
- 2) Dissipation Factor ( $\tan \delta$ ): 150% or less of initial specified value
- 3) Equivalent Series Resistance (ESR): 150% or less of initial specified value
- 4) Leakage current: less of initial specified value

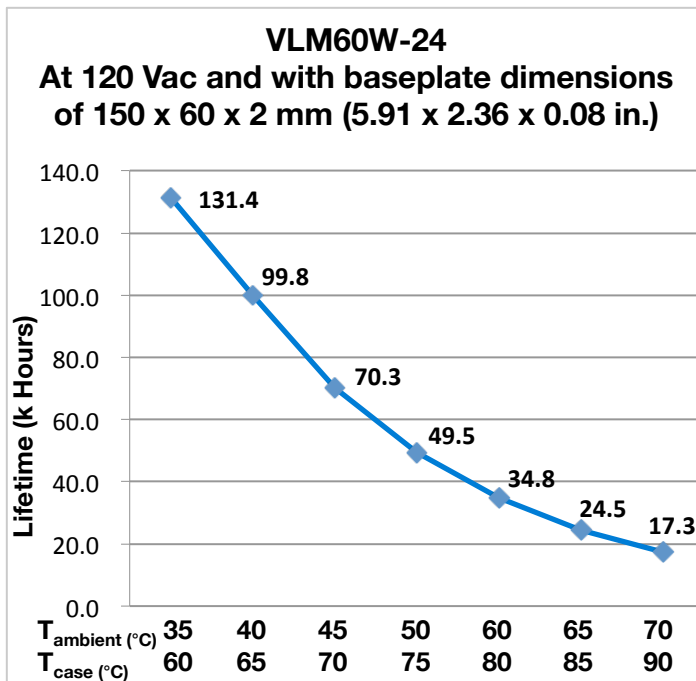


Figure 2

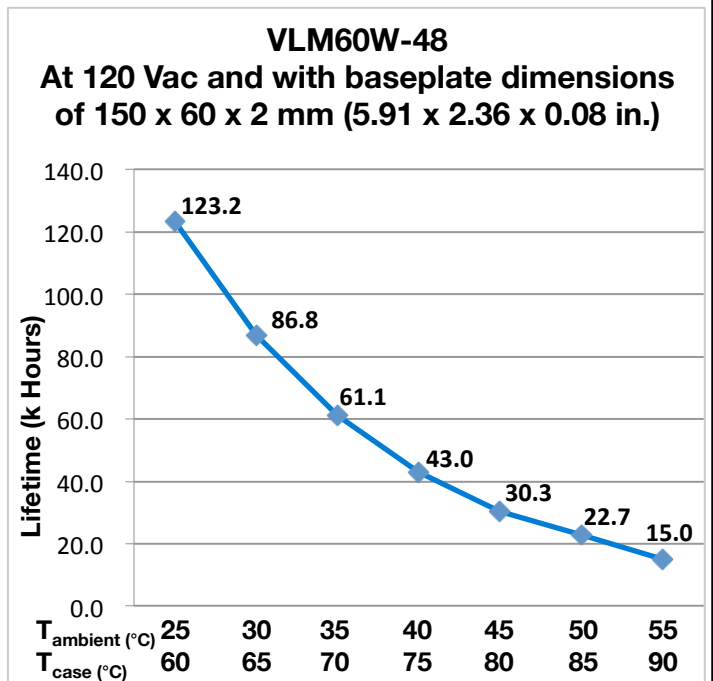


Figure 3

Notes:

- The ambient temperature  $T_{\text{ambient}}$  and the differential between  $T_{\text{ambient}}$  and  $T_{\text{case}}$  mentioned in the above graphs are relevant only as long as both the driver and the light fixture are exposed to the same ambient room temperature. If the LED driver is housed in an enclosure or covered by insulation material, then the ambient room temperature is no longer valid. In this situation, please refer only to the case temperature  $T_{\text{case}}$ .
- It should be noted the graph "Lifetime vs. Ambient Temperature" may have an error induced in the final application if the mounting has restricted convection flow around the case. For applications where this is evident, the actual case temperature measured at the  $T_c$  point in the application should be used for reliability calculations.

## 60 & 40 W, Efficient, Compact Constant Voltage Class 2 LED Drivers

8 – EFFICIENCY VERSUS LOAD (@ T<sub>c</sub> = 70°C)

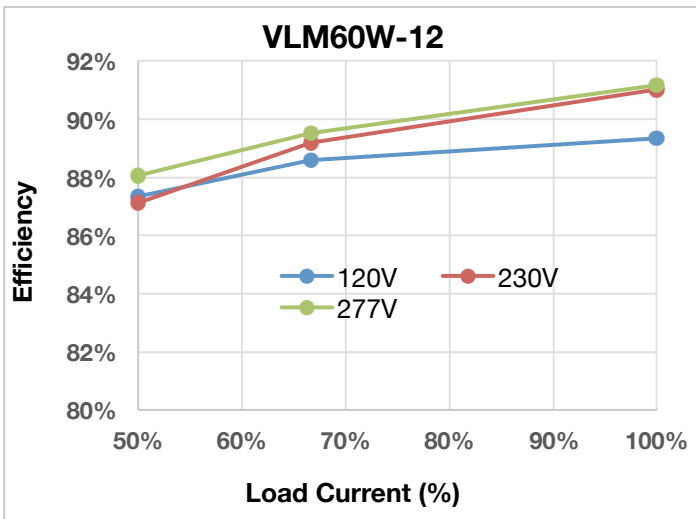


Figure 4

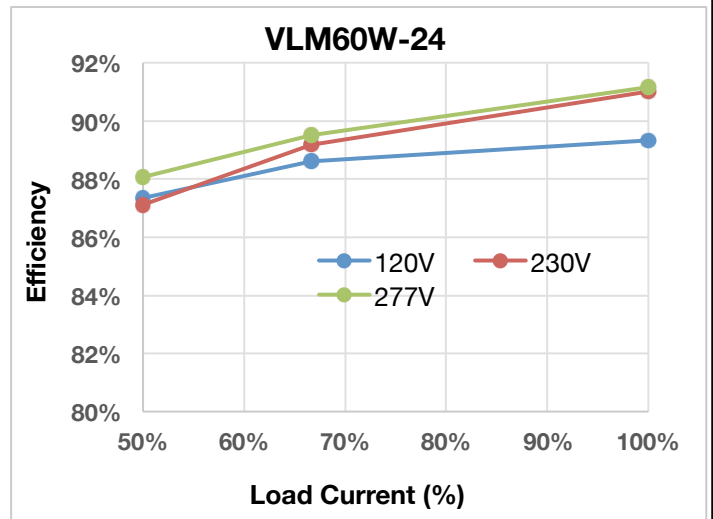


Figure 5

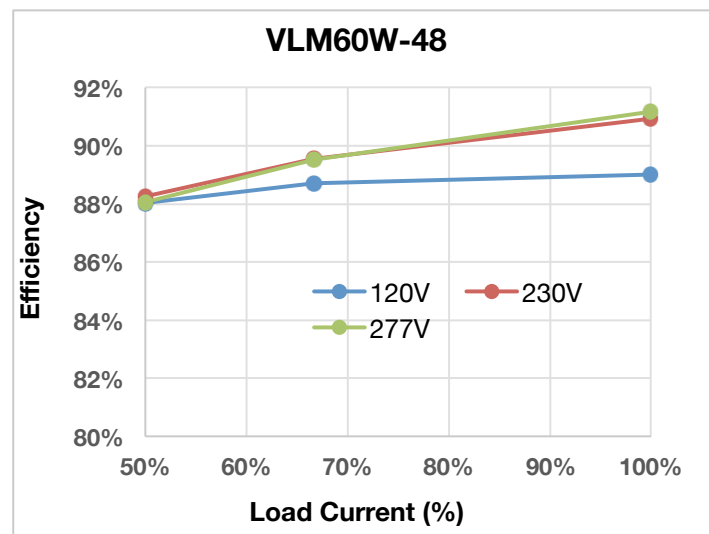


Figure 6

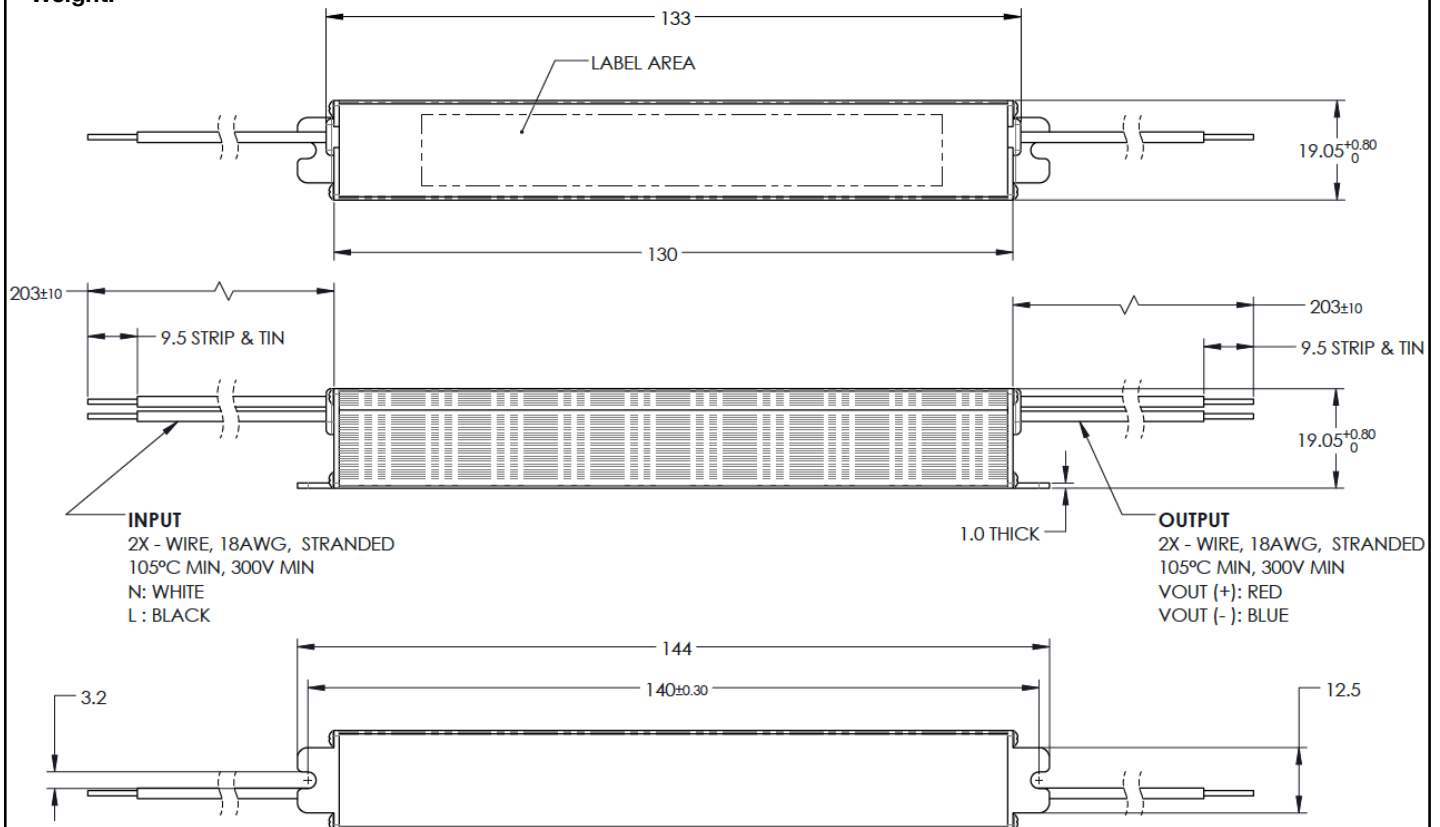
## 60 & 40 W, Efficient, Compact Constant Voltage Class 2 LED Drivers

### 9 - MECHANICAL DETAILS

- Packaging Options:** Aluminum case
- I/O Connections:** Flying leads, 18 AWG on all leads, 203mm (8 in) long, 105°C rated, stranded, stripped by approximately 9.5mm, and tinned. All the wires, on both input and output, have a 300 V insulation rating.
- Ingress Protection:** IP20 rated
- Mounting Instructions:** The VLM60/40 driver case must be secured on a flat surface through the two mounting tabs, shown here below in the case outline drawings. We recommended mounting the VLM60/40 on a baseplate with dimensions of 150 x 60 x 2 mm (5.91 x 2.36 x 0.08 in.)

### 10 - OUTLINE DRAWINGS

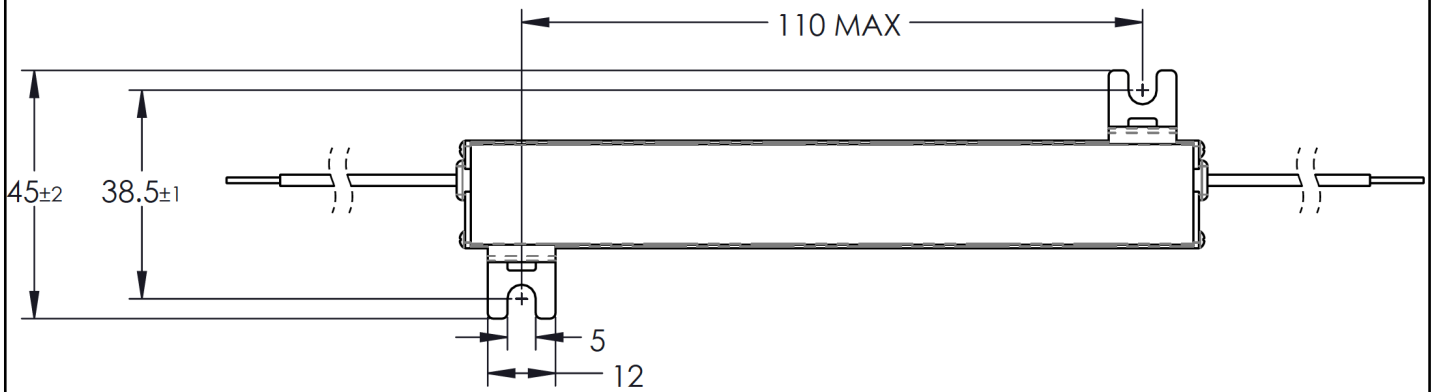
- Dimensions:** L 130 x W 19.05 x H 19.05 mm (L 5.12 x W 0.75 x H 0.75 in)
- Volume:** 47.2cm<sup>3</sup> (2.88 in<sup>3</sup>)
- Weight:**



All dimensions are in mm  
**Figure 7**

**60 & 40 W, Efficient, Compact  
Constant Voltage Class 2 LED Drivers**

10 - OUTLINE DRAWINGS - ALTERNATE CONSTRUCTION



All dimensions are in mm

**Figure 8**





# VLM60/40 Series

**VLM60 60 W**  
**VLM40 40 W**

## 60 & 40 W, Efficient, Compact Constant Voltage Class 2 LED Drivers

### 11 - LABELING

The VLM60-24 is used in figure 9 as an example to illustrate a typical label.




 <b>VLM60W-24</b> Constant Voltage LED Driver Max Case Temperature $t_c = 90^\circ\text{C}$ Suitable for Dry or Damp Locations <i>Convient aux endroits secs et humides</i>	<b>AC INPUT:</b> 120-277 V ~ 0.65 A 60 Hz PF $\geq 0.9$ , THD $\leq 20\%$	Designed in the USA Manufactured in China	Class 2 / Classe 2	 	<b>DC OUTPUT:</b> Max Current 2.5 A $\text{---}$ Maximum Power 60 W Regulated Voltage 24 Vdc  LED +: RED LED -: BLUE
	L : BLACK N : WHITE				

Figure 9

ERP Power, LLC (ERP) reserves the right to make changes without further notice to any products herein. ERP makes no warranty, representation or guarantee regarding the suitability of its products for any particular purpose, nor does ERP assume any liability arising out of the application or use of any product or circuit, and specifically disclaims any and all liability, including without limitation special, consequential or incidental damages. "Typical" parameters which may be provided in ERP data sheets and/or specifications can and do vary in different applications and actual performance may vary over time. All operating parameters, including "Typicals" must be validated for each customer application by customer's technical experts. ERP does not convey any license under its patent rights nor the rights of others. ERP products are not designed, intended, or authorized for use as components in systems intended for surgical implant into the body, or other applications intended to support or sustain life, or for any other application in which the failure of the ERP product could create a situation where personal injury or death may occur. Should Buyer purchase or use ERP products for any such unintended or unauthorized application, Buyer shall indemnify and hold ERP and its officers, employees, subsidiaries, affiliates, and distributors harmless against all claims, costs, damages, and expenses, and reasonable attorney fees arising out of, directly or indirectly, any claim of personal injury or death associated with such unintended or unauthorized use, even if such claim alleges that ERP was negligent regarding the design or manufacture of the part. ERP is an Equal Opportunity/Affirmative Action Employer. This literature is subject to all applicable copyright laws and is not for resale in any manner.