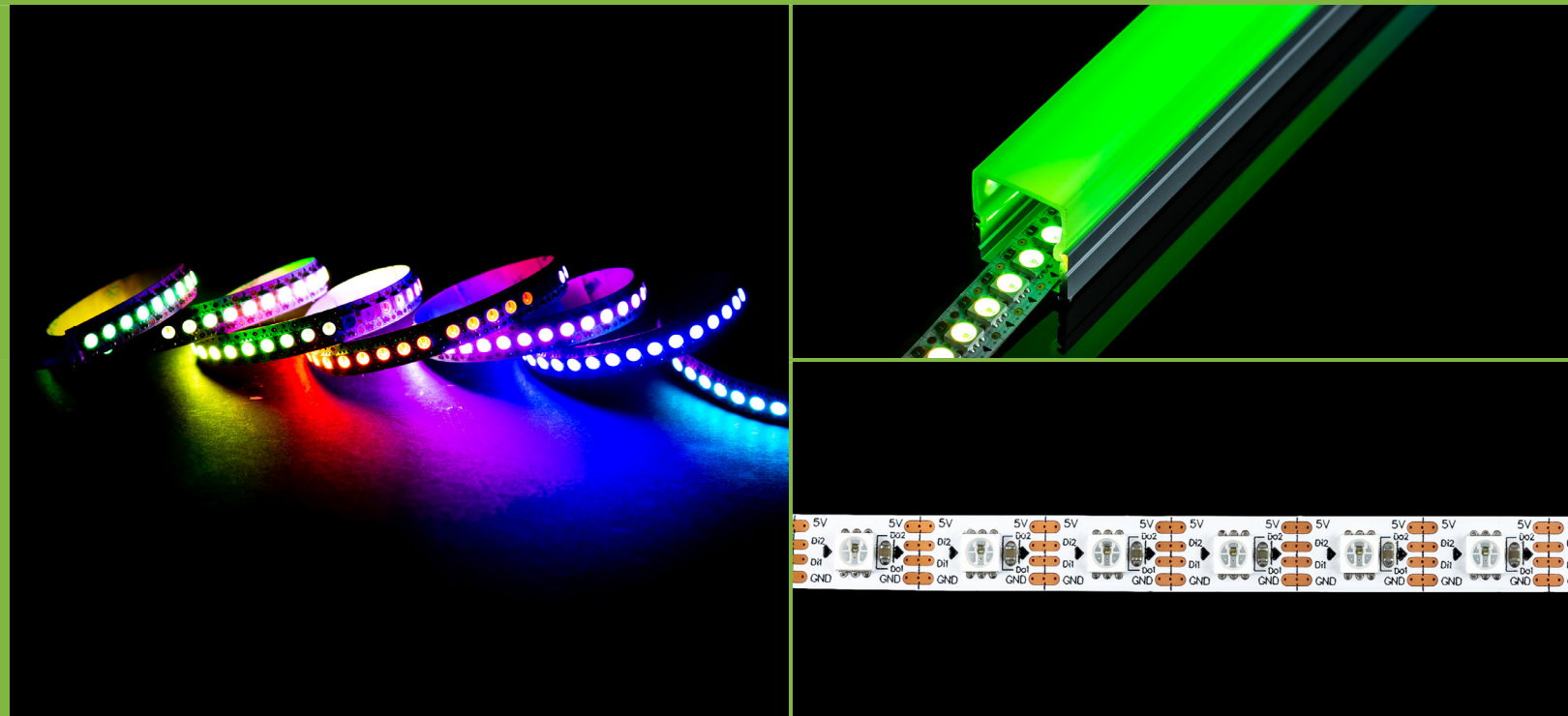


RGB PixelControl Strip Light



Highest Density DMX Pixel Designs

*****Please note: this strip uses GRB, not RGB as the default channel order.
Channel 1 = G, Channel 2 = R and Channel 3 = B. *****

RGB PixelControl LED Strip Light uses RGB LEDs with microscopic built-in integrated circuit chips, to produce eye catching animated effects at densities that were previously not achievable. Each RGB LED, also known as a pixel, can be individually controlled, so you can set the color for each one independent of every other LED. This allows you to create lighting effects for large displays and other installations. The ability to control the color of each LED creates an endless number of scenarios for creative lighting design.

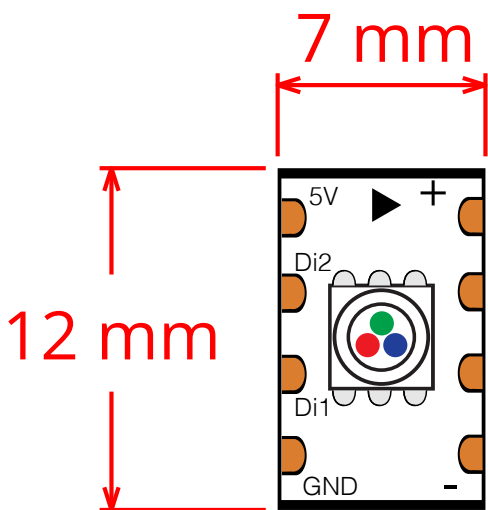
- 60 or 144 LEDs per meter
- High density for perfect diffusion
- Utilizes just under one DMX Universe per reel
- High quality construction
- Cutting-edge IC chip technology
- Waterproof available



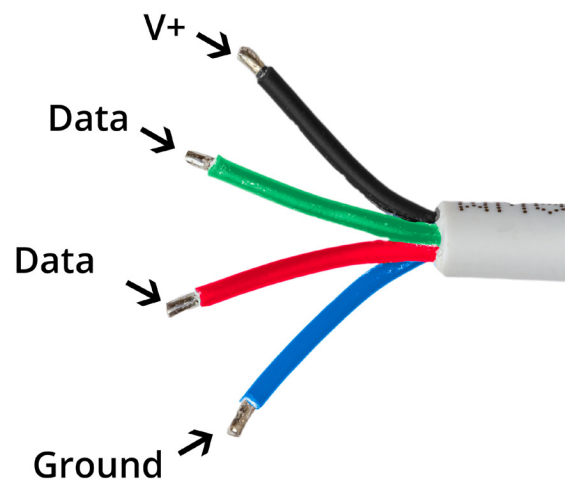
RGB PixelControl, 144/m

Specifications

Output	RGB PixelControl LED Strip Light, 144/m, 12mm wide, by the 1.2m Reel RGB-pixelcontrol-144-12-1.2m	Waterproof RGB PixelControl LED Strip Light, 144/m, 12mm wide, by the 1.2m Reel wp-RGB-pixelcontrol-144-12-1.2m
Color	Green, Red, Blue	Green, Red, Blue
Electrical		
Voltage (DC)	5	5
Power (W)	34.5	34.5
Density (LEDs/m)	144	144
Density (LEDs/reel)	169	169
Input Current (mA)	6,900	6,900
LED Node Size	5050	5050
Pixel Order	GRB	GRB
Physical		
Length (mm)	1.18	1.18
Width (mm)	12	16
Height (mm)	2.2	6.5
Cutting Increment (mm)	7	7
Warranty	3 years limited	3 years limited
Rating	RoHS, CE	RoHS, CE



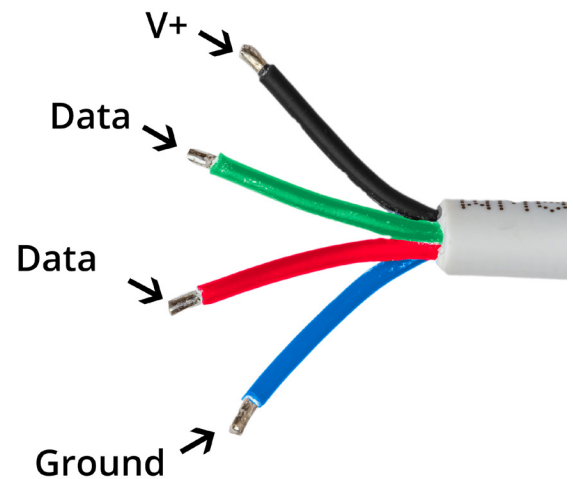
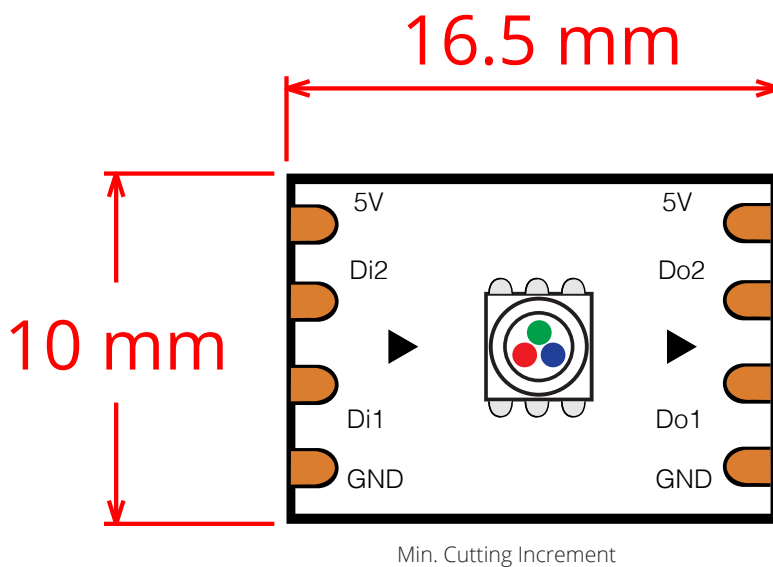
Min. Cutting Increment



RGB PixelControl, 60/m

Specifications

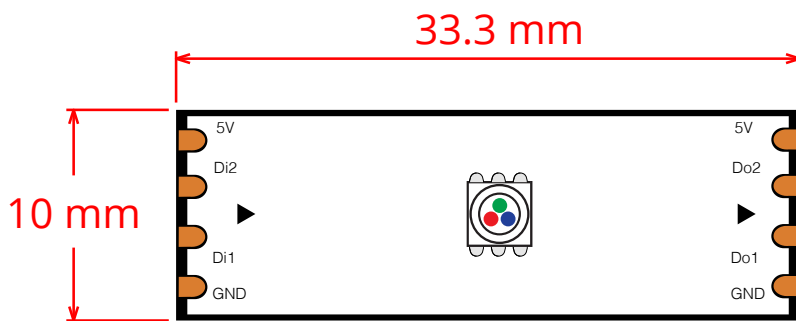
Output	RGB PixelControl LED Strip Light, 60/m, 10mm wide, by the 2.8m Reel RGB-pixelcontrol-60-10-2.8m	Waterproof RGB PixelControl LED Strip Light, 60/m, 10mm wide, by the 2.8m Reel wp-RGB-pixelcontrol-60-10-2.8m
Color	Green, Red, Blue	Green, Red, Blue
Electrical		
Voltage (DC)	5	5
Power (W)	44.8	44.8
Density (LEDs/m)	60	60
Density (LEDs/reel)	168	168
Input Current (mA)	8,960	8,960
LED Node Size	5050	5050
Pixel Order	GRB	GRB
Physical		
Length (mm)	2.28	2.28
Width (mm)	10	14.5
Height (mm)	2.2	7
Cutting Increment (mm)	16.5	16.5
Warranty	3 years limited	3 years limited
Rating	RoHS, CE	CE, RoHS, IP65



RGB PixelControl, 30/m

Specifications

Output	RGB PixelControl LED Strip Light, 30/m, 10mm wide, by the 5.6m Reel RGB-pixelcontrol-30-10-5.6m	Waterproof RGB PixelControl LED Strip Light, 30/m, 10mm wide, by the 5.6m Reel wp-RGB-pixelcontrol-30-10-5.6m
Color	Green, Red, Blue	Green, Red, Blue
Electrical		
Voltage (DC)	5	5
Power (W)	40.3	40.3
Density (LEDs/m)	30	30
Density (LEDs/reel)	168	168
LED Node Size	5050	5050
Pixel Order	GRB	GRB
Physical		
Length (mm)	5.6	5.6
Width (mm)	10	14
Height (mm)	2.2	6.5
Cutting Increment (mm)	33.3	33.3
Warranty	3 years limited	3 years limited
Rating	RoHS, CE	CE, RoHS, IP65



Min. Cutting Increment

