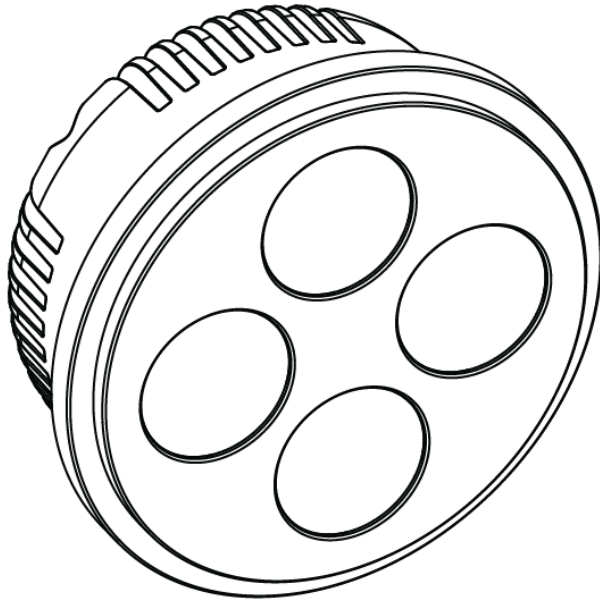


Illumipod LLogic™ Tri-4 Optic RGB

Quick Reference Guide



What Is Included

- One Ilumipod LQgic™ Tri-4 Optic RGB
- One CAT5 Splitter
- One Mounting Template
- One Warranty Card
- One Quick Reference Guide

About This Guide

The Ilumipod LQgic™ Tri-4 Optic RGB Quick Reference Guide (QRG) contains the product’s features, options, input power, mounting information, wiring, connectivity, and dimensions.

Refer to the applicable LQgic™ Controller User Manual from the ILUMINARC® website (www.iluminarc.com) to learn about the disclaimers, safety notes, programming modes, and detailed technical information and instructions.

Product at a Glance

Use on Dimmer	⊘	Auto Programs	⊘
Outdoor Use	⊘	Auto-ranging power supply	⊘
Sound Activated	⊘	Replaceable Fuse	⊘
DMX	⊘	User Serviceable	⊘
Master/Slave	⊘	Duty Cycle	⊘

Features

- RGB LED wash light product
- Compatible with LQgic™ controllers
- High power 3 W (1,050 mA) LEDs
- RGB color mixing (with LQgic™ Controller)
- Extruded aluminum housing (silver)
- Belden 1585A plenum-rated data/power cable (79 in/2 m) with RJ45 connector
- Low power consumption
- IP20 ingress protection
- Lightweight and durable construction
- Plenum-rated cable

Options

- White painted trim ring Order Number: 77777001

Controllers

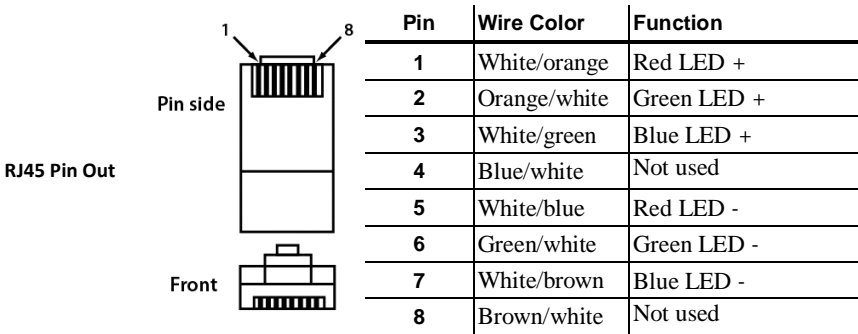
Please refer to the applicable User Manual to learn more about the LQgic™ controllers’ currently available. The User Manuals can be downloaded from the ILUMINARC® website (www.iluminarc.com).

- LQgic™ 1x36
- LQgic™ 4x36
- LQgic™ 16x36

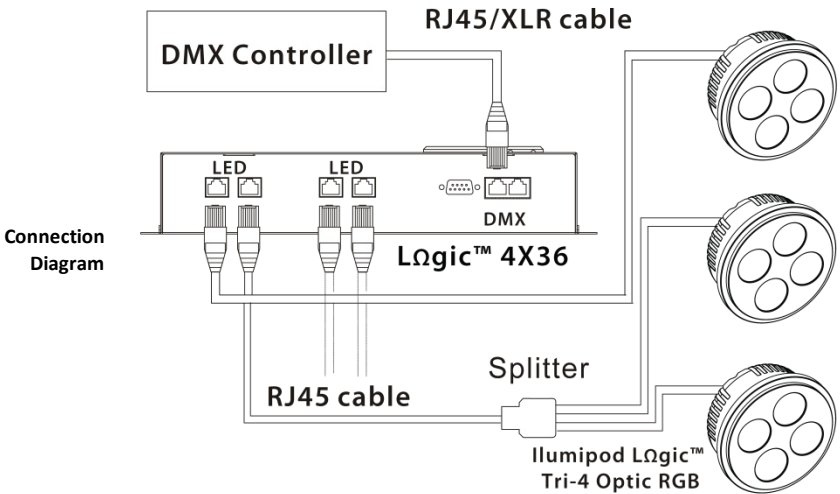
Input Power The input power for this product is provided by a LQgic™ Controller (1,050 mA @ 48 V).

Mounting To mount this product, cut a circular hole in the panel using the provided template. You can use the optional trim ring to lock the product in place.

Wiring This product comes with a 79 in (2 m) long CAT 5 cable, terminated with an RJ45 plug to connect to a LQgic™ Controller. If using the included splitter or if making an extension of the product's cable, you must use plenum-grade CAT 5/6 wire. The RJ45 connector pin out is shown below.

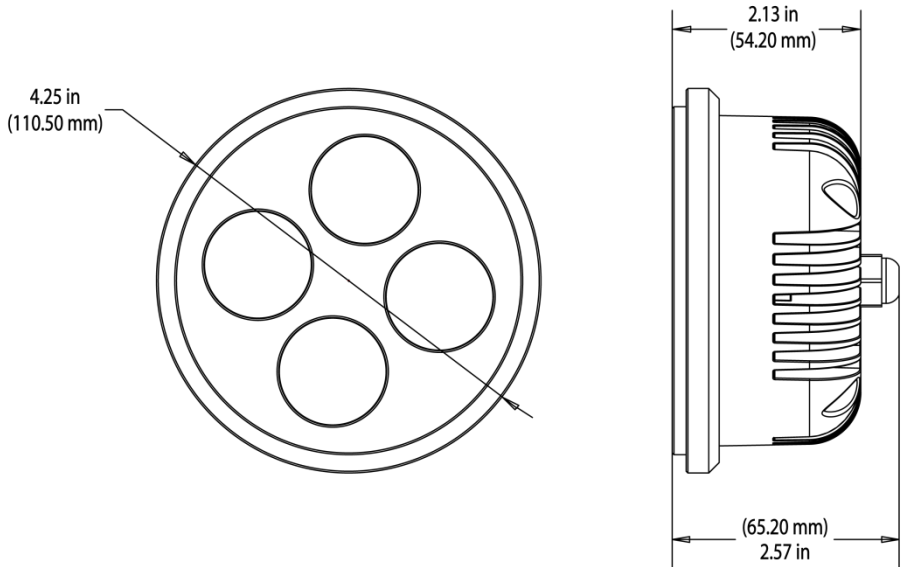


Connectivity The figure below shows a possible connection layout using this product and a LQgic™ 4X36 Controller. Refer to the applicable LQgic™ Controller User Manual regarding wiring layouts and limitations.



All cables must be terminated to a product. Do not use the splitter as a coupler.

Dimensions



Contact Us

ILUMINARC®
5200 NW 108th Avenue
Sunrise, FL 33351
Voice: (954) 923-3680
Fax: (954) 929-5560
(ATTN: ILUMINARC®)
www.iluminarc.com

Ilumipod LQgic™ Tri-4 Optic RGB - QRG – Rev. 9
© Copyright 2012 ILUMINARC®
All rights reserved.
Printed in the P. R. C.

