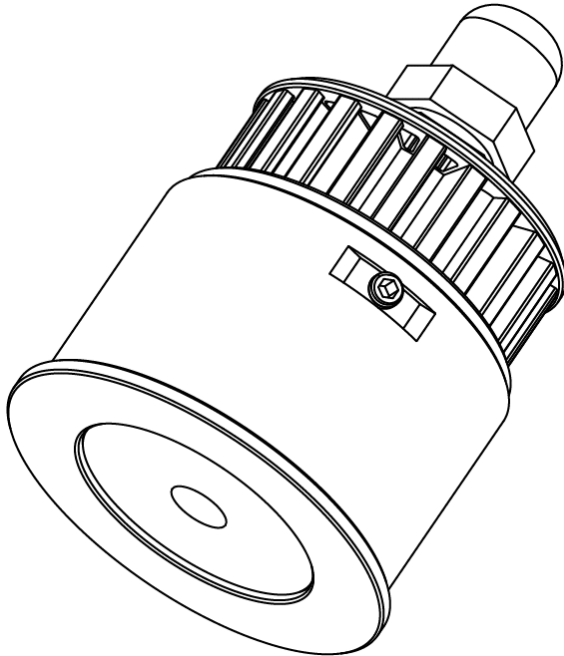


# **Ilumipod LLogic™ Tri-1 Optic RGB**

## **Quick Reference Guide**



- What Is Included**
- One Ilumipod LΩgic™ Tri-1 Optic RGB
  - One CAT5 Splitter
  - One Mounting Template
  - One Warranty Card
  - One Quick Reference Guide

**About This Guide** The Ilumipod LΩgic™ Tri-1 Optic RGB Quick Reference Guide (QRG) contains the product’s features, options, input power, mounting information, wiring, connectivity, and dimensions.

Refer to the applicable LΩgic™ Controller User Manual from the ILUMINARC® website ([www.iluminarc.com](http://www.iluminarc.com)) to learn about the disclaimers, safety notes, programming modes, and detailed technical information and instructions.

<b>Product at a Glance</b>	Use on Dimmer	⊘	Auto Programs	⊘
	Outdoor Use	⊘	Auto-ranging power supply	⊘
	Sound Activated	⊘	Replaceable Fuse	⊘
	DMX	⊘	User Serviceable	⊘
	Master/Slave	⊘	Duty Cycle	⊘

- Features**
- RGB LED wash light product
  - Compatible with LΩgic™ controllers
  - High power 3 W (1,050 mA) LEDs
  - RGB color mixing (with LΩgic™ Controller)
  - Extruded aluminum housing (silver)
  - Belden 1585A plenum-rated data/power cable (79 in/2 m) with RJ45 connector
  - Low power consumption
  - Direct MR16 replacement
  - IP20 ingress protection
  - Lightweight and durable construction
  - Plenum-rated cable

- Options**
- Brushed aluminum trim ring                      Order Number: 66666001
  - White painted trim ring                              Order Number: 66666002

**Controllers** Please refer to the applicable User Manual to learn more about the LΩgic™ controllers’ currently available. The User Manuals can be downloaded from the ILUMINARC® website ([www.iluminarc.com](http://www.iluminarc.com)).

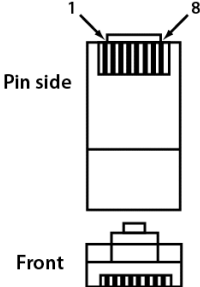
- LΩgic™ 1x36
- LΩgic™ 4x36
- LΩgic™ 16x36

**Input Power** The input power for this product is provided by a LQgic™ Controller (1,050 mA @ 48 V).

**Mounting** To mount this product, cut a circular hole in the panel using the provided template. You can use the optional trim ring to lock the product in place.

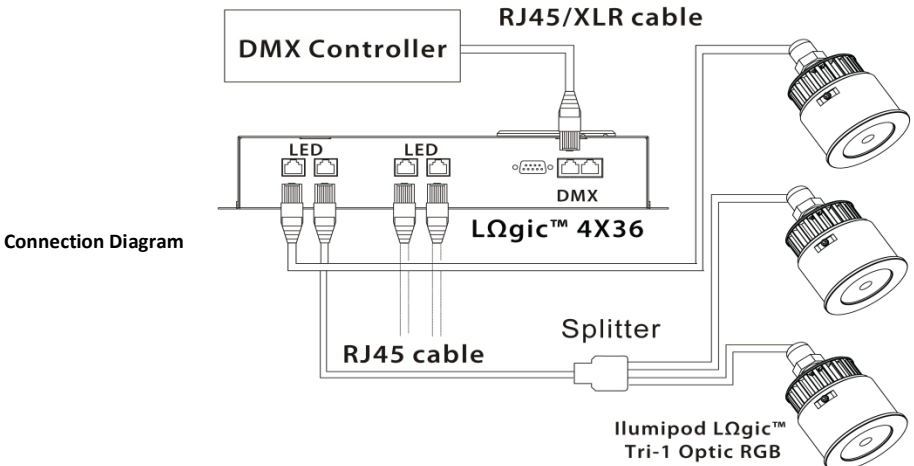
**Wiring** This product comes with a 79 in (2 m) long CAT 5 cable, terminated with an RJ45 plug to connect to a LQgic™ Controller. If using the included splitter or if making an extension of the product’s cable, you must use plenum-grade CAT 5/6 wire. The RJ45 connector pin out is shown below.

RJ45 Pin Out



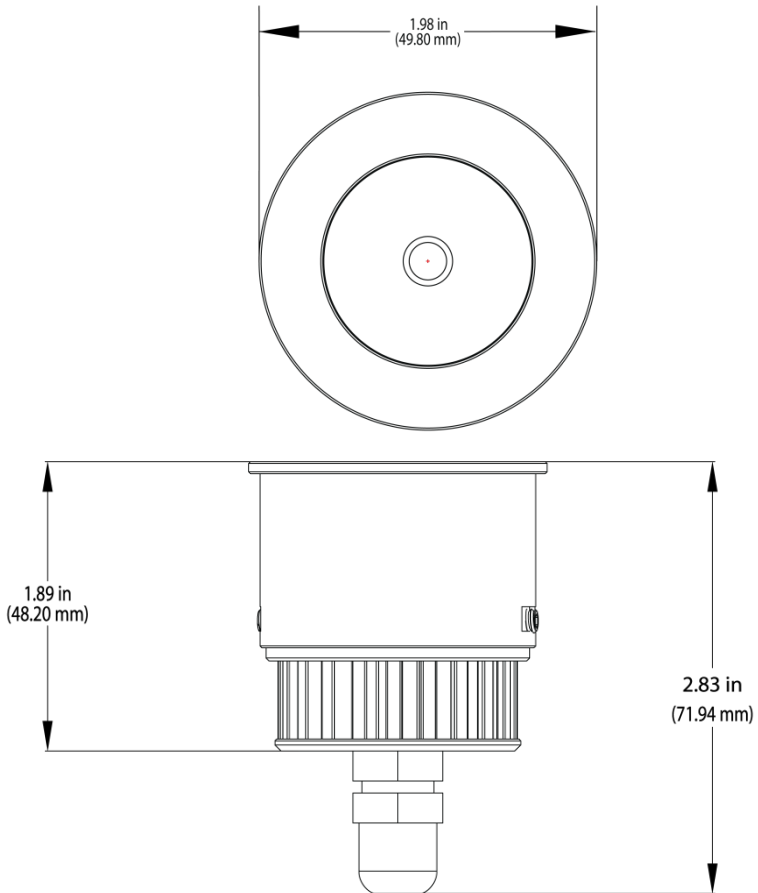
Pin	Wire Color	Function
1	White/orange	Red LED +
2	Orange/white	Green LED +
3	White/green	Blue LED +
4	Blue/white	Not used
5	White/blue	Red LED -
6	Green/white	Green LED -
7	White/brown	Blue LED -
8	Brown/white	Not used

**Connectivity** The figure below shows a possible connection layout using this product and a LQgic™ 4X36 Controller. Refer to the applicable LQgic™ Controller User Manual regarding wiring layouts and limitations.



**All cables must be terminated to a product. Do not use the splitter as a coupler.**

## Dimensions



## Contact Us

**ILUMINARC®**  
5200 NW 108th Avenue  
Sunrise, FL 33351  
Voice: (954) 923-3680  
Fax: (954) 929-5560  
(ATTN: ILUMINARC®)  
[www.iluminarc.com](http://www.iluminarc.com)

**Illumipod LLogic™ Tri-1 Optic RGB - QRG – Rev. 5**

© Copyright 2012 ILUMINARC®

All rights reserved.

Printed in the P. R. C.

