

ILUMINARC®

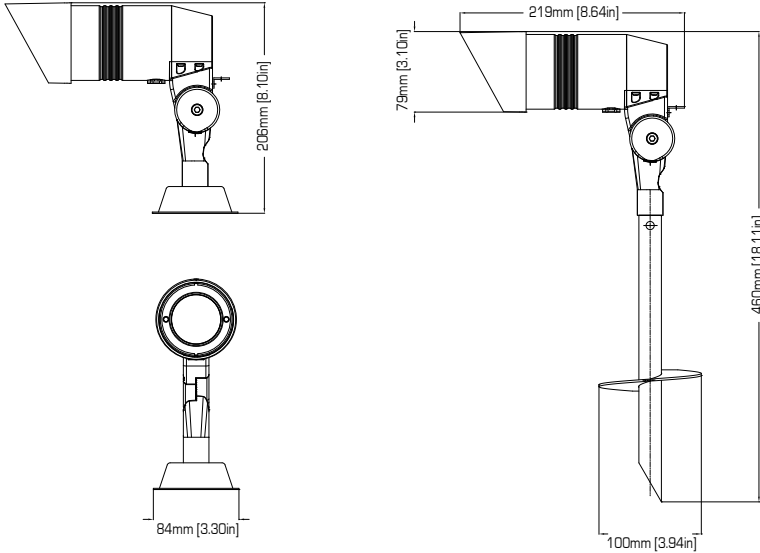
ILUMIPOD 7 IP OPTIC 18 RGBW

Item Number: 11007008

Client: _____

Project: _____

Date: _____ Type: _____



LIGHT SOURCE & OPTICAL SPECIFICATIONS

Light Source: 7 LEDs (2 red, 2 green, 2 blue, 1 white) 1 W (350 mA)
Light Source Lifespan: 50,000 hours based on LED manufacturer's specifications
Installed Optics: 18°
Beam Angle: 16°
Field Angle: 33°
Lumens: 137
Base Illuminance: 50 lux @ 5 m
Efficacy: 15 lm/W
Color Temperature Presets: N/A
Minimum Distance to Illuminated Surface: 4 in (92 mm)

CONSTRUCTION & PHYSICAL SPECIFICATIONS

Length: 8.6 in (219 mm)
Width: 3 in (79 mm)
Height: 8 in (205 mm) with base; 16 in (456 mm) with spike
Weight: 4.3 lb (1.9 kg)
Color: Black
Ingress Protection Rating: IP67
Housing Material: Cast aluminum
Lens Cover: Impact resistant glass
Installation Orientation: Any

CONTROL SPECIFICATIONS

Control Protocol: USITT DMX-512a
Control Channels: 1, 3, 4, 5 or 7
Operating Modes: Selectable personalities
Solid (1-channel): dimmer
Arc 1 (3-channel): red, green, blue
Arc 1+D (4-channel): dimmer, red, green, blue
Arc 2 (4-channel): red, green, blue, white
Arc 2+D (5-channel): dimmer, red, green, blue, white
Arc Full (7-channel): dimmer, red, green, blue, color macros, strobe, dimming speed

Stand Alone Control: N/A
Remote Addresser: Ilumicode
Data Connection: 9.8 ft (3 m) Waterproof cable

ELECTRICAL SYSTEM SPECIFICATIONS

Input Voltage: Auto-ranging 100 to 240 VAC, 50/60 Hz (auto-ranging)
Power and Current: 8 W, 0.1 A @ 120 V
8 W, 0.1 A @ 230 V
Power Supply: Electronic internal
Dimmer: Electronic
Power Linking: N/A
Power Connection: 9.8 ft (3 m) Waterproof cable

THERMAL SPECIFICATIONS

Cooling: Convection
Startup Temperature Range: -4 °F to 113 °F (-20 to 45) °C
Operating Temperature Range: -40 °F to 113 °F (-40 to 45) °C
Storage Temperature Range: -40 °F to 167 °F (-40 to 75) °C

REGULATORY & VOLUNTARY QUALIFICATION

Certification Listings: ETL, CE
Environment: Wet location, IP67
Warranty: 36 month manufacturer's limited warranty (for covered regions only)

Product
Web Page



WWW.ILUMINARC.COM - INFO@ILUMINARC.COM

Iluminarc reserves the right to make improvements to this product
and its specifications at anytime without notice.

ILUMINARC.
5200 NW 108th Ave.
Sunrise, FL 33351
+1.954.923.3680

ILUMINARC®

Client: _____

Project: _____

Date: _____ Type: _____

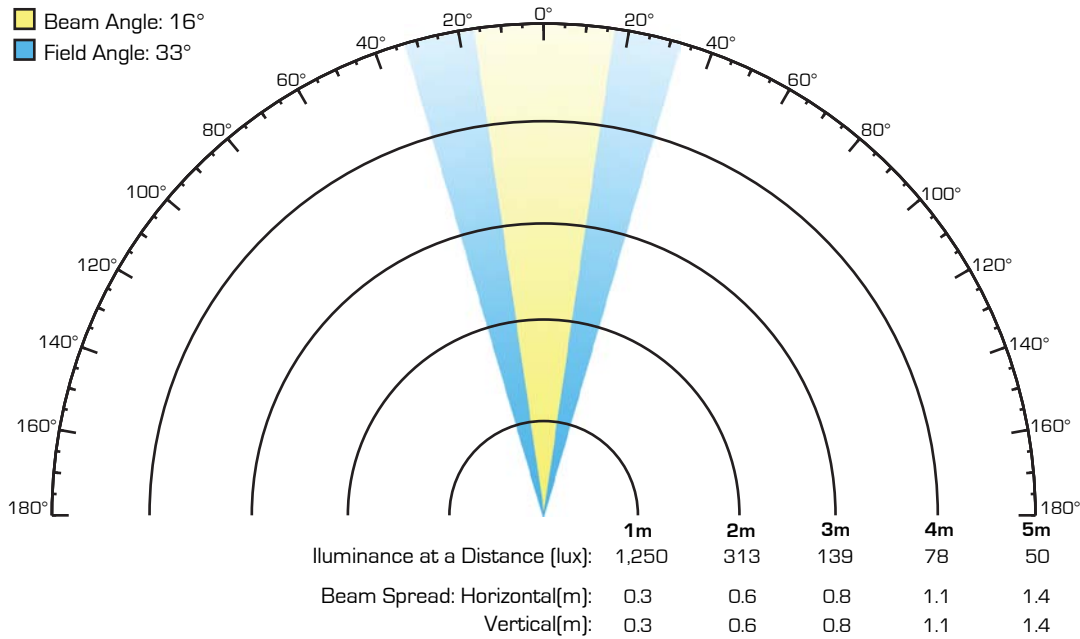
ILUMIPOD 7 IP OPTIC 18 RGBW

Item Number: 11007008

Illumipod 7 IP Optic 18 RGBW

Beam Angle: 16°

Field Angle: 33°



Illumipod 7 IP Optic 18 RGBW Typical Installation

