

ILUMINARC®

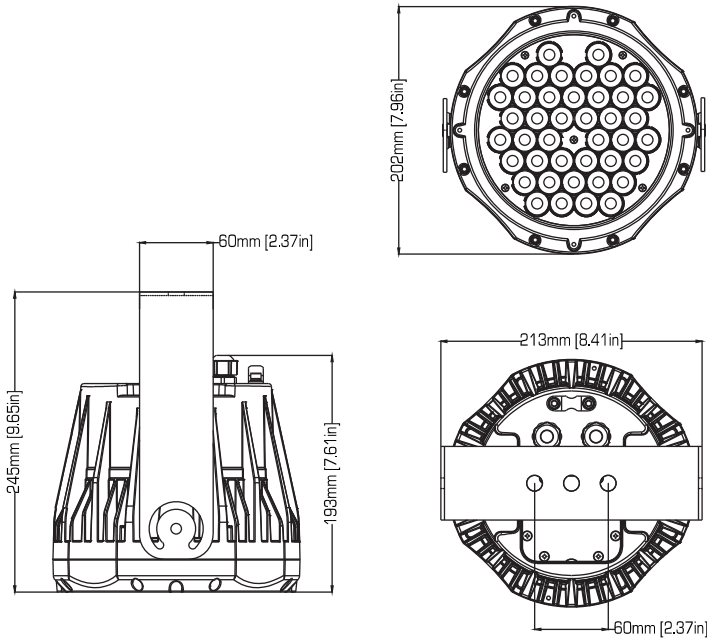
ILUMIPOD 42 IP OPTIC 15 RGBW

Item Number: 01630445

Client: _____

Project: _____

Date: _____ Type: _____



LIGHT SOURCE & OPTICAL SPECIFICATIONS

Light Source: 42 LEDs (12 red, 12 green, 12 blue, 6 white) 1 W (350 mA)
Light Source Lifespan: 50,000 hours based on LED manufacturer's specifications
Installed Optics: 15°
Beam Angle: 12°
Field Angle: 30°
Lumens: 1,810
Base Illuminance: 664 lux @ 5 m
Efficacy: 37.5 lm/W
Color Temperature Presets: Built-in
Minimum Distance to Illuminated Surface: 4 in (92 mm)

CONSTRUCTION & PHYSICAL SPECIFICATIONS

Length: 7.9 in (202 mm)
Width: 8.4 in (213 mm)
Height: 9.6 in (245 mm)
Weight: 10.6 lb (4.6 kg)
Color: Off white
Ingress Protection Rating: IP67
Housing Material: Cast aluminum
Lens Cover: Impact resistant glass
Installation Orientation: Any

CONTROL SPECIFICATIONS

Control Protocol: USITT DMX-512a
Control Channels: 3, 4, 5, 6 or 11
Operating Modes: Selectable personalities
Arc 1 (3-channel): red, green, blue
HSV (3-channel): hue, saturation, value
Arc 1+D (4-channel): red, green, blue, dimmer
Arc 2 (4-channel): red, green, blue, white
Arc 2+S (5-channel): red, green, blue, white, dimmer
Arc2 +D (6-channel): red, green, blue, white, dimmer, strobe
TOUR (11-channel): red, green, blue, white, dimmer, strobe, macro,
custom, auto speed, dimmer curve

Stand Alone Control: Yes
Remote Addresser: N/A
Data Connection: 9.8 ft (3 m) Waterproof cable

ELECTRICAL SYSTEM SPECIFICATIONS

Input Voltage: 100 to 240 VAC, 50/60 Hz (auto-ranging)
Power and Current: 53 W, 0.7 A @ 120 V
53 W, 0.4 A @ 230 V
Power Supply: Electronic internal
Dimmer: Electronic
Power Linking: N/A
Power Connection: 9.8 ft (3 m) Waterproof cable

THERMAL SPECIFICATIONS

Cooling: Convection
Startup Temperature Range: -4 °F to 113 °F (-20 to 45) °C
Operating Temperature Range: -40 °F to 113 °F (-40 to 45) °C
Storage Temperature Range: -40 °F to 167 °F (-40 to 75) °C

REGULATORY & VOLUNTARY QUALIFICATION

Certification Listings: MET, CE
Environment: Wet location, IP67
Warranty: 36 month manufacturer's limited warranty (for covered regions only)

Product
Web Page



WWW.ILUMINARC.COM - INFO@ILUMINARC.COM

Iluminarc reserves the right to make improvements to this product
and its specifications at anytime without notice.

ILUMINARC.
5200 NW 108th Ave.
Sunrise, FL 33351
+1.954.923.3680

ILUMINARC®

ILUMIPOD 42 IP OPTIC 15 RGBW

Item Number: 01630445

Client: _____

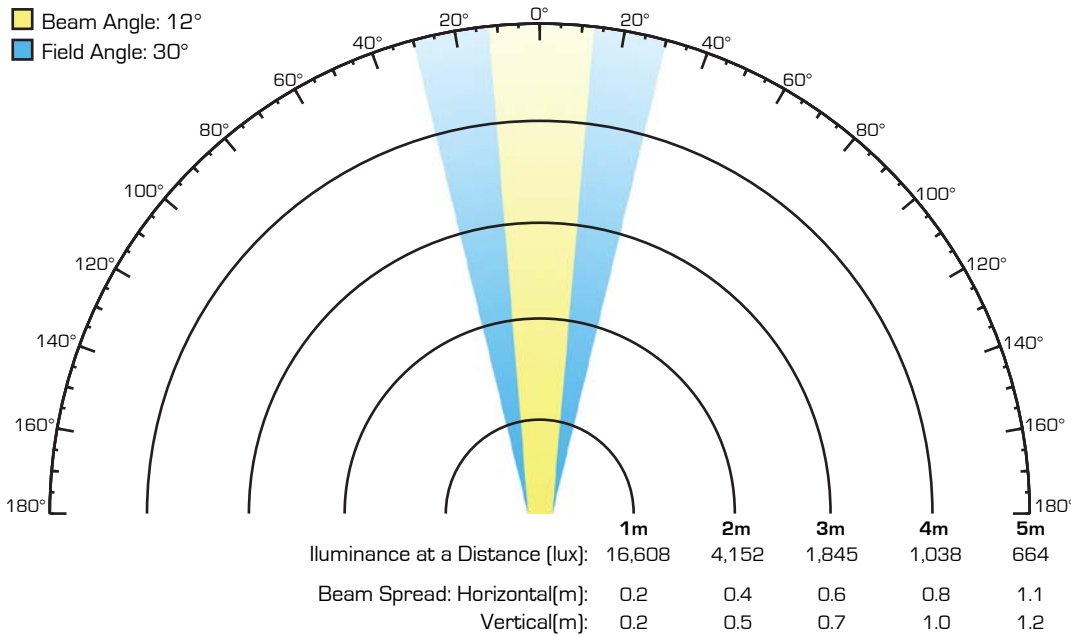
Project: _____

Date: _____ Type: _____

Illumipod 42 IP Optic 15 RGBW

■ Beam Angle: 12°

■ Field Angle: 30°



Illumipod 42 IP Optic 15 RGBW Typical Installation

