

ILUMINARC®

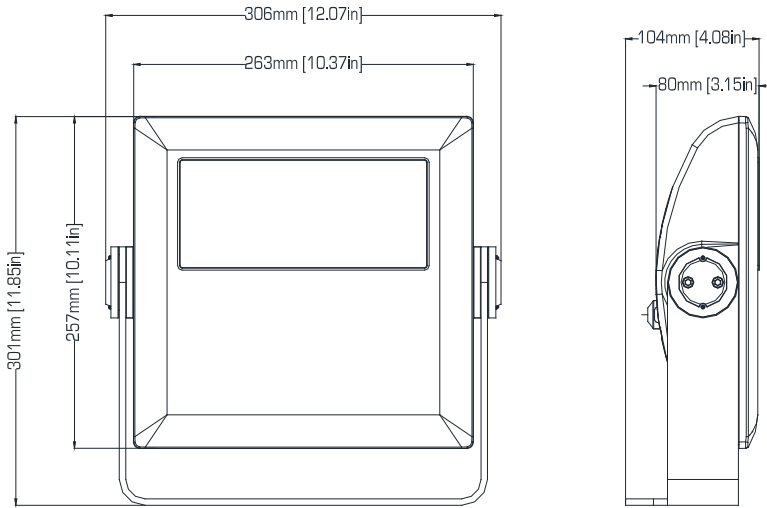
ILUMIPANEL 24g2 IP OPTIC 30 RGB

Item Number: 01620928

Client: _____

Project: _____

Date: _____ Type: _____



LIGHT SOURCE & OPTICAL SPECIFICATIONS

Light Source: 24 LEDs (8 red, 8 green, 8 blue) 3 W (900 mA)
Light Source Lifespan: 50,000 hours based on LED manufacturer's specifications
Installed Optics: 30°
Beam Angle: 21°
Field Angle: 40°
Lumens: 1,400
Base Illuminance: 305 lux @ 5 m
Efficacy: 20.6 lm/W
Color Temperature Presets: N/A
Minimum Distance to Illuminated Surface: 4 in (92 mm)

CONSTRUCTION & PHYSICAL SPECIFICATIONS

Length: 12.1 in (306 mm)
Width: 4.1 in (104 mm)
Height: 11.9 in (301 mm)
Weight: 14.8 lb (6.7 kg)
Color: Off white
Ingress Protection Rating: IP67
Housing Material: Cast aluminum
Lens Cover: Impact resistant glass
Installation Orientation: Any

CONTROL SPECIFICATIONS

Control Protocol: USITT DMX-512a
Stand Alone Control: N/A
Remote Addresser: Ilumicode
Data Connection: 6.25 ft (1.9 m) Waterproof cable

ELECTRICAL SYSTEM SPECIFICATIONS

Input Voltage: 100 to 277 VAC, 50/60 Hz (auto-ranging)
Power and Current: 66 W, 0.57 A @ 120 V
63 W, 0.33 A @ 230 V
63 W, 0.30 A @ 277 V
Power Supply: Electronic internal
Dimmer: Electronic
Power Linking: N/A
Power Connection: 6.25 ft (1.9 m) Waterproof cable

THERMAL SPECIFICATIONS

Cooling: Convection
Startup Temperature Range: -4 °F to 113 °F (-20 to 45) °C
Operating Temperature Range: -40 °F to 113 °F (-40 to 45) °C
Storage Temperature Range: -40 °F to 167 °F (-40 to 75) °C

REGULATORY & VOLUNTARY QUALIFICATION

Certification Listings: MET, CE
Environment: Wet location, IP67
Warranty: 36 month manufacturer's limited warranty (for covered regions only)

ILUMINARC®

ILUMIPANEL 24g2 IP OPTIC 30 RGB

Item Number: 01620928

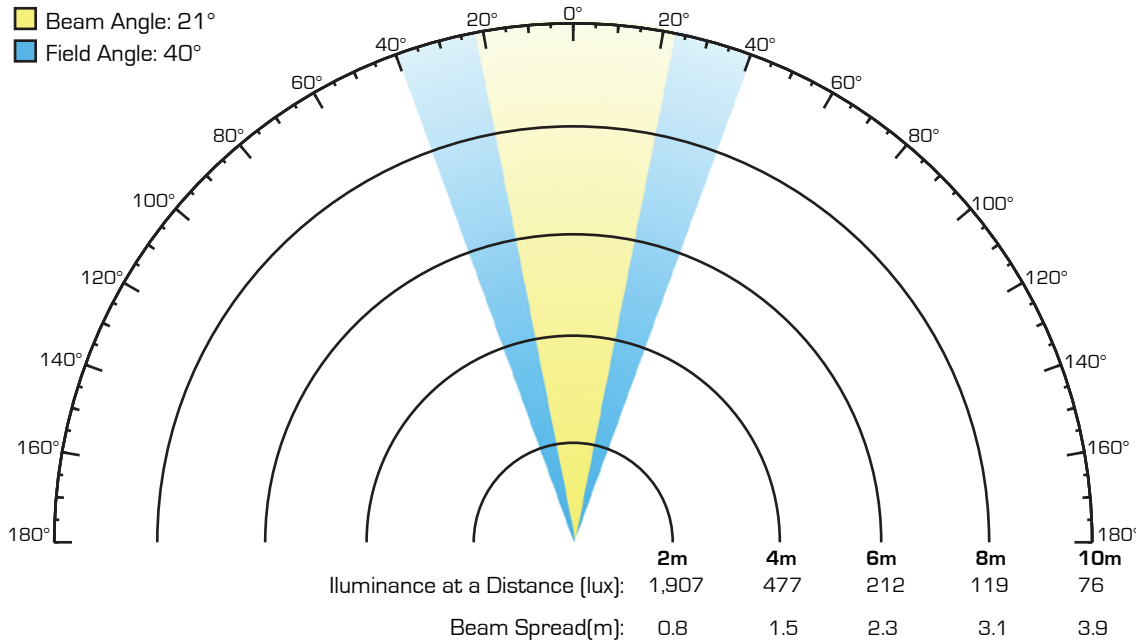
Client: _____

Project: _____

Date: _____ Type: _____

Illumipanel 24g2 IP Optic 30 RGB

- Beam Angle: 21°
- Field Angle: 40°



Illumipanel 24g2 IP Optic 30 RGB Typical Installation

