

ILUMINARC®

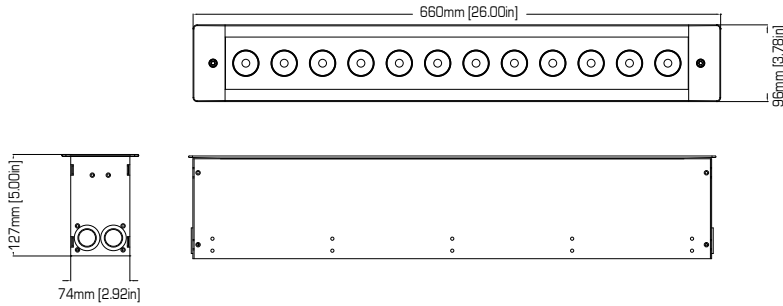
ILUMILINE INGROUND TRI-12 IP OPTIC 25 RGB

Item Number: 12012007

Client: _____

Project: _____

Date: _____ Type: _____



LIGHT SOURCE & OPTICAL SPECIFICATIONS

Light Source: 12 LEDs (tri-color RGB) 3 W (1,050 mA)
Light Source Lifespan: 50,000 hours based on LED manufacturer's specifications
Installed Optics: 25°
Beam Angle: 19°
Field Angle: 37.5°
Lumens: 879
Base Illuminance: 222 lux @ 5 m
Efficacy: 19.6 lm/W
Color Temperature Presets: N/A
Minimum Distance to Illuminated Surface: 4 in (92 mm)

CONSTRUCTION & PHYSICAL SPECIFICATIONS

Length: 26 in (660 mm)
Width: 3.7 in (96 mm)
Height: 5 in (127 mm)
Weight: 17.6 lb (8 kg)
Color: Brushed stainless steel
Ingress Protection Rating: IP67
Housing Material: Cast aluminum, stainless steel
Lens Cover: Impact resistant glass
Installation Orientation: Any

CONTROL SPECIFICATIONS

Control Protocol: USITT DMX-512a
Control Channels: 1, 3, 4, 6 or 7
Operating Modes: Selectable personalities
Solid (1-channel): dimmer
Arc 1 (3-channel): red, green, blue
Arc 1+D (4-channel): dimmer, red, green, blue
Special 1 (6-channel): red, green, blue per module (two modules)
Arc Full (7-channel): dimmer, red, green, blue, color macros, strobe, dimming speed

Stand Alone Control: N/A
Remote Addresser: Ilumicode
Data Connection: 9.8 ft (3 m) Waterproof cable

ELECTRICAL SYSTEM SPECIFICATIONS

Input Voltage: 100 to 240 VAC, 50/60 Hz (auto-ranging)
Power and Current: 38 W, 0.6 A @ 120 V
40 W, 0.3 A @ 230 V
Power Supply: Electronic internal
Dimmer: Electronic
Power Linking: N/A
Power Connection: 9.8 ft (3 m)

THERMAL SPECIFICATIONS

Cooling: Convection
Startup Temperature Range: -4 °F to 113 °F (-20 to 45) °C
Operating Temperature Range: -40 °F to 113 °F (-40 to 45) °C
Storage Temperature Range: -40 °F to 167 °F (-40 to 75) °C

REGULATORY & VOLUNTARY QUALIFICATION

Certification Listings: MET, CE
Environment: Wet location, IP67
Warranty: 36 month manufacturer's limited warranty (for covered regions only)

Product
Web Page



WWW.ILUMINARC.COM - INFO@ILUMINARC.COM

Iluminarc reserves the right to make improvements to this product
and its specifications at anytime without notice.

ILUMINARC.
5200 NW 108th Ave.
Sunrise, FL 33351
+1.954.923.3680

ILUMINARC®

ILUMILINE INGROUND TRI-12 IP OPTIC 25 RGB

Item Number: 12012007

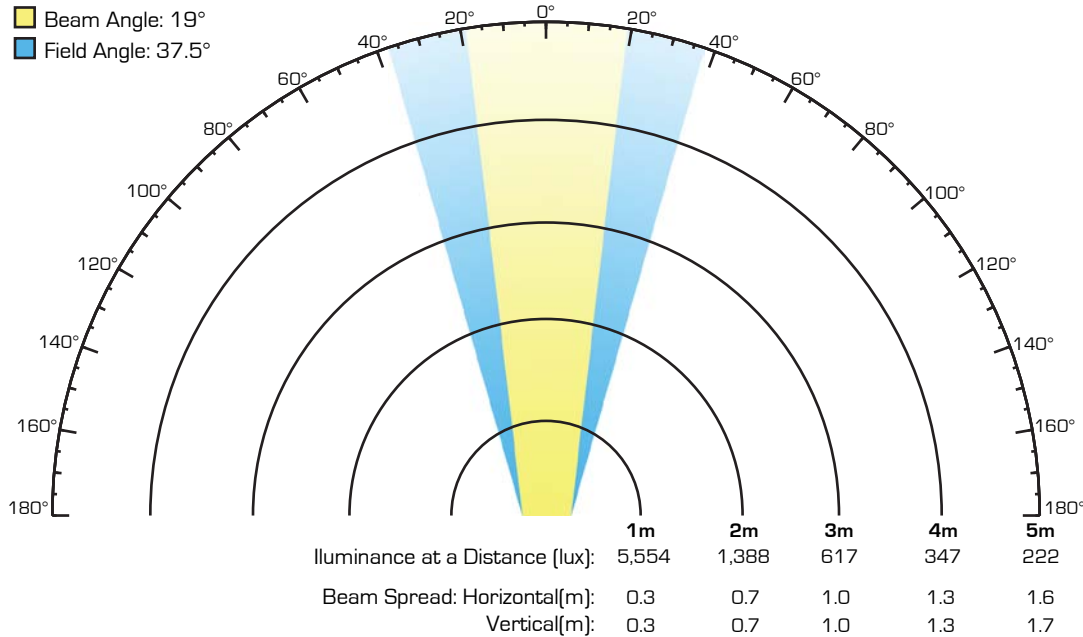
Client: _____

Project: _____

Date: _____ Type: _____

Illumiline Inground Tri-12 IP Optic 25 RGB

- Beam Angle: 19°
- Field Angle: 37.5°



Illumiline Inground Tri-12 IP Optic 25 RGB Typical Installation

