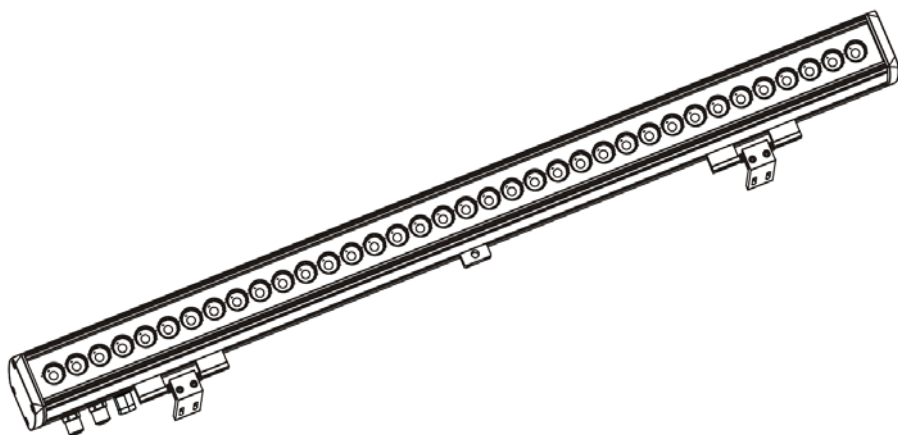


Ilumiline 36 IP Optic RGB

Quick Reference Guide



ILUMINARC®

About this Guide

The Illumiline 36 IP Optic RGB Quick Reference Guide (QRG) only contains the product’s connection, and mounting information, as well as the menu options and the DMX values.

Disclaimer

Refer to this product’s User Manual for detailed information and instructions. You can download the User Manual from the ILUMINARC® website: www.iluminarc.com.

Read ALL the disclaimers and Safety Notes in this document, as well as those in the product’s User Manual before installing, operating, and maintaining this product.

Safety Notes

- DO NOT open the product unless instructed. It contains no user serviceable parts.
- DO NOT look at the light source when the product is on.
- DO NOT touch the product when operating because it may be hot.
- DO NOT leave any flammable material within 50 cm from the product while operating or connected to the power outlet to minimize the risk of fire.
- DO NOT mount the product overhead without using a safety cable.
- DO NOT submerge the product below 1 m (IP67) for more than 30 minutes. Regular outdoor operation is fine.
- DO NOT operate the product if you see damage on the housing, lenses, or cables. Have an authorized technician replace the damaged parts.
- DO NOT connect the product to a dimmer or rheostat.
- ONLY connect the product to a grounded and protected circuit.

What Is Included

- One Illumiline 36 IP Optic RGB
- One Power Input Cable (bare-ended)
- One Data Input/Output Cable (bare-ended)
- One Warranty Card
- One Quick Reference Guide



- **The RDM2go, which includes a built in ilumicode addresser along with many other useful features is now available.**
- **The Ilumicode addresser is required for product configuration (sold separately).**

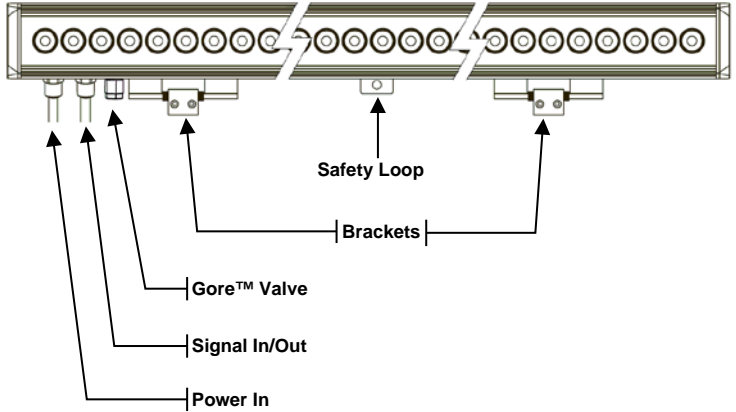
- Features**
- 1, 3, 4, 6, or 7-channel DMX RGB LED wash fixture
 - Operating modes:
 - 1-channel: Dimmer
 - 3-channel: RGB control
 - 4-channel: Dimmer, RGB control
 - 6-channel: RGB control per module (two modules)
 - 7-channel: Dimmer, RGB, color macros, strobe, dimmer speed
 - Dimmer speed control
 - Static color control without DMX controller
 - High-power, 1 W (350 mA) LEDs (12 red, 12 green, and 12 blue)
 - Cast aluminum, IP67, gray housing
 - Impact resistant glass lens cover
 - Adjustable brackets

- Options**
- Ilumicode controller (for fixture configuration)
 - Ilumicon controller (for operation without DMX controller)
 - Installed (non-changeable) optical system:
 - 60X10 lenses Order Number: 12036005

Mounting

Before mounting this product, read the safety notes at the beginning of the *Illumiline 36 IP Optic RGB User Manual* and follow the mounting procedures.

This product comes with two adjustable brackets to mount on any firm, non-flammable surface, whether horizontally or vertically, on the floor or hanging from a truss.



Mounting Diagram

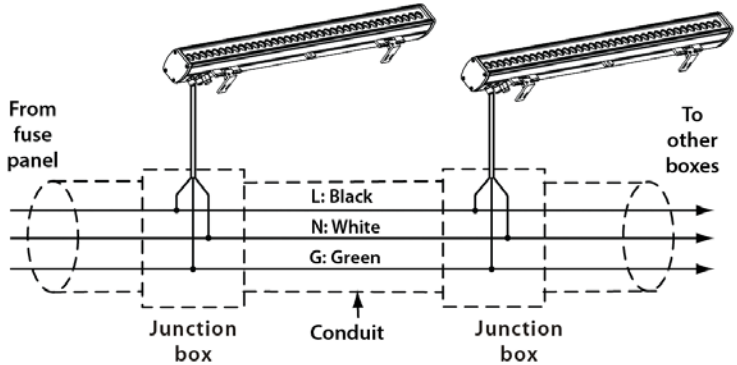
AC Power This product has an auto-ranging power supply that can work with an input voltage range of 100~240 VAC, 50/60 Hz.

Power Wiring You can connect the bare-ended IP67 rated power cable from the product to an IP67 rated power connector or use an IP67 rated junction box. If using an IP67 rated junction box, make sure to use IP67 rated conduit.

Power Cable Table

| Connection | Wire (US) | Wire (Europe) | IP67 Pin |
|------------|--------------|---------------|----------|
| AC Live | Black | Brown | 1 |
| AC Neutral | White | Blue | 2 |
| AC Ground | Green/Yellow | Green/Yellow | 3 |

AC Power Junction Box Wiring



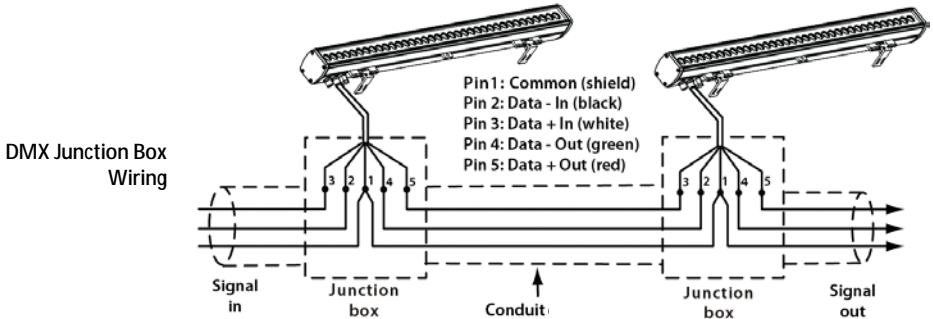
DMX Connection

You can connect the bare-ended IP67 rated signal cable from the product to two IP67 rated signal connectors (DMX in and DMX Out) or use an IP67 rated junction box. If using an IP67 rated junction box, make sure to use IP67 rated conduit.

Signal Wiring

To provide a signal for this product, you can connect the bare-ended IP67 rated signal cable from the product to two IP67 rated signal connectors (DMX in and DMX out) or use an IP67 rated junction box. In this case, make sure to use IP67 rated conduit.

The signal cable must match or exceed the electrical characteristics of the Belden® 9841 cable for EIA RS-485 applications. You can also use CAT 5, CAT 5e, or CAT 6.



DMX Cable Table

| Connection | DMX In | DMX Out | IP67 Pin |
|------------|--------|---------|----------|
| Ground | Shield | Shield | 1 |
| Data - | Black | Green | 2 |
| Data + | White | Red | 3 |

Ilumicon and DMX Controllers

The Ilumiline 36 IP Optic RGB can operate with either an Ilumicon or a DMX controller. Use the standard DMX connection, as shown on the previous section (*DMX Junction Box Wiring*) to connect this product to any of those controllers.

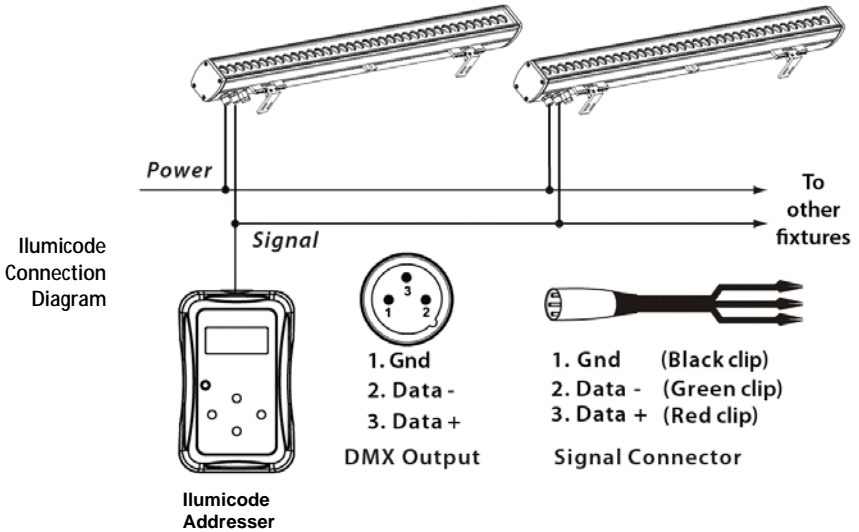
For more information, please refer to the *Ilumiline 36 IP Optic Series User Manual*.

Settings

To configure the Ilumiline 36 IP Optic RGB, use the Ilumicode.

Ilumicode Connections

The diagram below shows how to connect the Ilumicode to this product. Note that this connection will control multiple fixtures at the same time, all having the same DMX address. To assign individual DMX addresses to each fixture, you must connect the Ilumicode unit to each fixture, individually. This means that you will also have to disconnect the DMX output of the fixture under configuration if there are other fixtures connected to it.



ILUMINARC® suggests you to connect no more than 20 fixtures in this mode, while keeping the total distance to less than 60 m (197 ft). Otherwise, you might need to use an optically isolated signal amplifier.

| Control Panel Description | Button | Function |
|----------------------------------|---------------|--|
| | <POWER> | Turns the Illumicode unit on |
| | <MENU> | Scrolls through the main level or exits from the current menu or function (NOTE: Press and hold it to turn the unit off) |
| | <ENTER> | Enables the currently displayed menu or sets the currently selected value into the selected function |
| | <UP> | Navigates upwards through the menu options and increases the numeric value when in a function |
| | <DOWN> | Navigates downwards through the menu options and decreases the numeric value when in a function |

Start Address To ensure full access to all channels in each DMX mode, the highest recommended DMX addresses are as follows:

| Mode | Address | Mode | Address | Mode | Address |
|--------------|----------------|-----------------|----------------|------------------|----------------|
| SOLID | 512 | AR1.D | 509 | SPECIAL 1 | 507 |
| ARC1 | 510 | ARC FULL | 506 | | |

Menu Options

| Main Level | 2 nd Level | 3 rd Level | Instructions |
|-----------------|-----------------------|---|---|
| DMX | 001-512 | N/A | Sets the DMX starting address |
| PERSON | ARC 1 | N/A | 3-channel: RGB control |
| | ARC 1 + D | | 4-channel: RGB control + dimmer |
| | ARC FULL | | 7-channel: RGB control + dimmer |
| | REMOTE | | Allows using the ILUMICON unit |
| | SOLID | | 1-channel: dimmer |
| | SPECIAL 1 | | 6-channel RGB per module |
| CALIB | WHITE (1~11) | RED (0~255) GREEN (0~255) BLUE (0~255) | Determines the white balance for the color macros |
| | RGB | | Determines the white balance when RGBTOW is active |
| DIMMER | OFF | N/A | Dimmer work in linear mode |
| | DIM 1 | | Dimmer works in non-linear mode, from fast to slow. |
| | DIM 2 | | |
| | DIM 3 | | |
| | DIM 4 | | |
| STATIC | RED | (0~255) | Configures the static color and effect |
| | GREN | | |
| | BLUE | | |
| | STRB | | |
| SETTINGS | COLOR | OFF | Maximum output, unbalanced white |
| | | RGBTOW | White output is as per CALIB > RGB settings |
| | | UC | Output matches that of fixture's previous versions |
| | RESET | NO/YES | |

DMX Channel Values

ARC FULL

| Channel | Function | Value | Percent/Setting |
|---------|--------------|--|---|
| 1 | RGB Dimmer | 000 ó 255 | 0~100% |
| 2 | Red | 000 ó 255 | 0~100% |
| 3 | Green | 000 ó 255 | 0~100% |
| 4 | Blue | 000 ó 255 | 0~100% |
| 5 | Color Macros | 000 ó 010 011 ó 035 036 ó 060 061 ó 085 086 ó 110 111 ó 135 136 ó 160 161 ó 185 186 ó 210 211 ó 215 216 ó 220 221 ó 225 226 ó 230 231 ó 235 236 ó 240 241 ó 245 246 ó 250 251 ó 255 | No function Red: 100% Green: Up Blue: 0% Red: Down Green: 100% Blue: 0% Red: 0% Green: 100% Blue: Up Red: 0% Green: Down Blue: 100% Red: Up Green: 0% Blue: 100% Red: 100% Green: 0% Blue: Down Red: 100% Green: Up Blue: Up Red: Down Green: Down Blue: 100% White 1: 3,200 K White 2: 3,400 K White 3: 4,200 K White 4: 4,900 K White 5: 5,600 K White 6: 5,900 K White 7: 6,500 K White 8: 7,200 K White 9: 8,000 K |
| 6 | Strobe | 000 ó 005 006 ó 255 | No function Slow~Fast |
| 7 | Dimmer Speed | 000 ó 009 010 ó 069 070 ó 129 130 ó 189 190 ó 255 | Off Speed 1 (Fastest) Speed 2 Speed 3 Speed 4 (Slowest) |

ARC 1

| Channel | Function | Value | Percent/Setting |
|---------|----------|-----------|-----------------|
| 1 | Red | 000 ó 255 | 0~100% |
| 2 | Green | 000 ó 255 | 0~100% |
| 3 | Blue | 000 ó 255 | 0~100% |

ARC 1 + D

| Channel | Function | Value | Percent/Setting |
|---------|------------|-----------|-----------------|
| 1 | RGB Dimmer | 000 ó 255 | 0~100% |
| 2 | Red | 000 ó 255 | 0~100% |
| 3 | Green | 000 ó 255 | 0~100% |
| 4 | Blue | 000 ó 255 | 0~100% |

SOLID

| Channel | Function | Value | Percent/Setting |
|---------|------------|-----------|-----------------|
| 1 | RGB Dimmer | 000 ó 255 | 0~100% |

SPECIAL 1

| Channel | Function | Value | Percent/Setting |
|---------|----------------|-----------|-----------------|
| 1 | Module 1 Red | 000 ó 255 | 0~100% |
| 2 | Module 1 Green | 000 ó 255 | 0~100% |
| 3 | Module 1 Blue | 000 ó 255 | 0~100% |
| 4 | Module 2 Red | 000 ó 255 | 0~100% |
| 5 | Module 2 Green | 000 ó 255 | 0~100% |
| 6 | Module 2 Blue | 000 ó 255 | 0~100% |

Contact USA WORLD HEADQUARTERS

Us **General Information** - ILUMINARC
Address: 5200 NW 108th Avenue
Sunrise, FL 33351
Voice: (954) 923-3680
Fax: (800) 544-4898

Technical Support
Voice: (800) 762-1074
Email: support@iluminarc.com

World Wide Web
www.iluminarc.com

EUROPE

General Information - Chauvet Europe BVBA
Address: Stokstraat 18
9770 Kruishoutem
Belgium
Voice: +32 9 388 93 97

Technical Support
Email: Eutech@chauvetlighting.eu

World Wide Web
www.chauvetlighting.eu

General Information - Chauvet Europe Ltd.
Address: Unit 1C
Brookhill Road Industrial Estate
Pinxton, Nottingham, UK
NG16 6NT
Voice: +44 (0)1773 511115
Fax: +44 (0)1773 511110

Technical Support
Email: uktech@iluminarc.com

World Wide Web
www.chauvetlighting.co.uk

MEXICO

General Information - Chauvet Mexico
Address: Av. Santa Ana 30
Parque Industrial Lerma
Lerma, Mexico C.P. 52000
Voice: +52 (728) 285-5000

Technical Support
Email: servicio@iluminarc.com.mx

World Wide Web
www.chauvet.com.mx

Outside the U.S., United Kingdom, Ireland, Mexico, or Benelux contact the dealer of record. Follow their instructions to request support or to return a product. Visit our website for contact details.

Ilumiline 36 IP Optic RGB QRG – Rev. 05

© Copyright 2015 ILUMINARC®

All rights reserved.

Printed in the P. R. C.

