

# ILUMINARC®

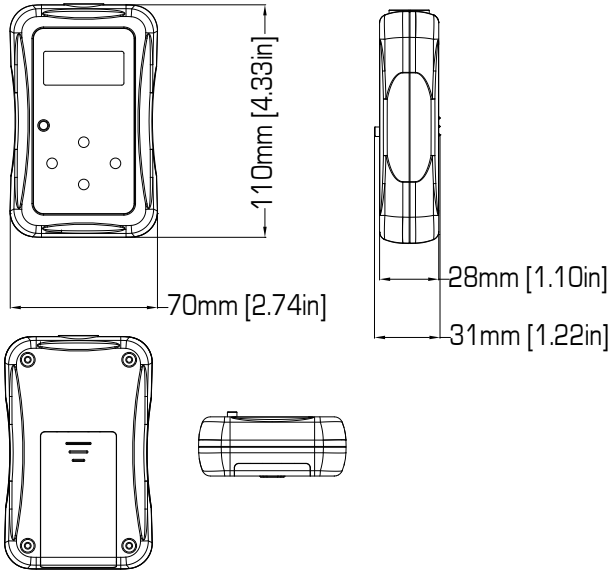
## ILUMICODE

Item Number: 44444001

Client: \_\_\_\_\_

Project: \_\_\_\_\_

Date: \_\_\_\_\_ Type: \_\_\_\_\_



### CONSTRUCTION & PHYSICAL SPECIFICATIONS

Length: 4.3 in (110 mm)  
Width: 2.75 in (70 mm)  
Height: 1 in (28 mm)  
Weight: 0.5 lb (0.2 kg)  
Color: Gray  
Ingress Protection Rating: IP20  
Housing Material: ABS plastic

### CONTROL SPECIFICATIONS

Signal Pin Out: 1=GND, 2=SIG (-), 3=SIG (+)  
Operating Modes: Selectable personalities

- PERS 1 : ARC1
- PERS 2 : ARC1+D
- PERS 3 : ARC2
- PERS 4 : ARC2+D
- PERS 5 : ARC3
- PERS 6 : ARC3+D
- PERS 7 : ARC FULL
- PERS 8 : REMOTE
- PERS 9 : SOLID
- PERS 10 : SPECIAL1
- PERS 11 : SPECIAL2
- PERS 12 : VV
- PERS 13 : VV+D

Stand Alone Control: Yes

### ELECTRICAL SYSTEM SPECIFICATIONS

Battery: 2 (1.5 VDC) AA size

### REGULATORY & VOLUNTARY QUALIFICATION

Certification Listings: CE, RoHS

Product  
Web Page



[WWW.ILUMINARC.COM](http://WWW.ILUMINARC.COM) - [INFO@ILUMINARC.COM](mailto:INFO@ILUMINARC.COM)

Iluminarc reserves the right to make improvements to this product  
and its specifications at anytime without notice.

ILUMINARC.  
5200 NW 108th Ave.  
Sunrise, FL 33351  
+1.954.923.3680