

ILUMINARC®

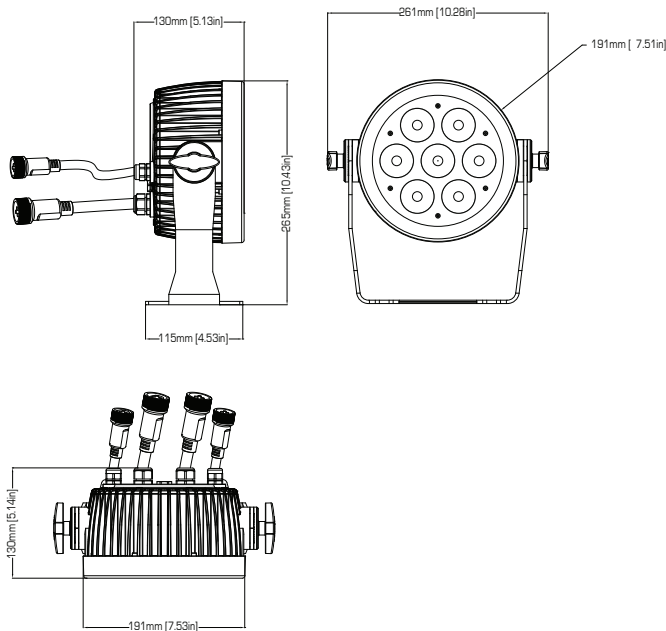
COLORIST Pod 7Qa

Item Number: 03630839

Client: _____

Project: _____

Date: _____ Type: _____



LIGHT SOURCE & OPTICAL SPECIFICATIONS

Light Source: 7 LEDs (quad color RGBA) 15 W, (985 mA)
Light Source Lifespan: 50,000 hours based on LED manufacturer's specifications
Installed Optics: 15°
Beam Angle: 16°
Field Angle: 27°
Lumens: 1,176
Base Illuminance: 880 lux @ 5 m
Efficacy: 22.9 lm/W
Minimum Distance to Illuminated Surface: 4 in (92 mm)

CONSTRUCTION & PHYSICAL SPECIFICATIONS

Length: 10.2 in (260 mm)
Width: 5.1 in (130 mm)
Height: 10.4 in (265 mm)
Weight: 10.8 lb (4.9 kg)
Color: Off white
Ingress Protection Rating: IP65
Housing Material: Cast aluminum
Lens Cover: Impact resistant glass
Installation Orientation: Installation Orientation: Fixture aperture vertical up +/- 170°

CONTROL SPECIFICATIONS

Control Protocol: USITT DMX-512a
Control Channels: 4, 6 or 10
Stand Alone Control: Yes
Data Connection: 6.6 ft (2 m) Waterproof Cable

ELECTRICAL SYSTEM SPECIFICATIONS

Input Voltage: Auto-ranging 100 to 240 VAC, 50/60 Hz
Power and Current:
52 W, .44 A @ 120 V
51 W, .24 A @ 230 V
Power Supply: Electronic internal
Dimmer: Electronic
Power Linking: 23 units @ 120 V, 38 units @ 208 V, 42 units @ 230 V
Power Connection: 6.6 ft (2 m) Waterproof cable, Edison plug to proprietary IP66 input power cord

THERMAL SPECIFICATIONS

Cooling: Convection
Startup Temperature Range: -4 °F to 104 °F (-20 to 40) °C
Operating Temperature Range: -20 °F to 110 °F (-29 to 43) °C

REGULATORY & VOLUNTARY QUALIFICATION

Certification Listings: MET, CE
Environment: Wet location, IP65, All indoor and limited outdoor permanent installations. Please refer to the User Manual and/or the Quick Reference Guide.
Warranty: 24 month manufacturer's limited warranty (for covered regions only)

Product
Web Page



WWW.ILUMINARC.COM - INFO@ILUMINARC.COM

Iluminarc reserves the right to make improvements to this product and its specifications at anytime without notice.

ILUMINARC.
5200 NW 108th Ave.
Sunrise, FL 33351
+1.954.923.3680

ILUMINARC®

COLORIST Pod 7Qa
Item Number: 03630839

Client: _____

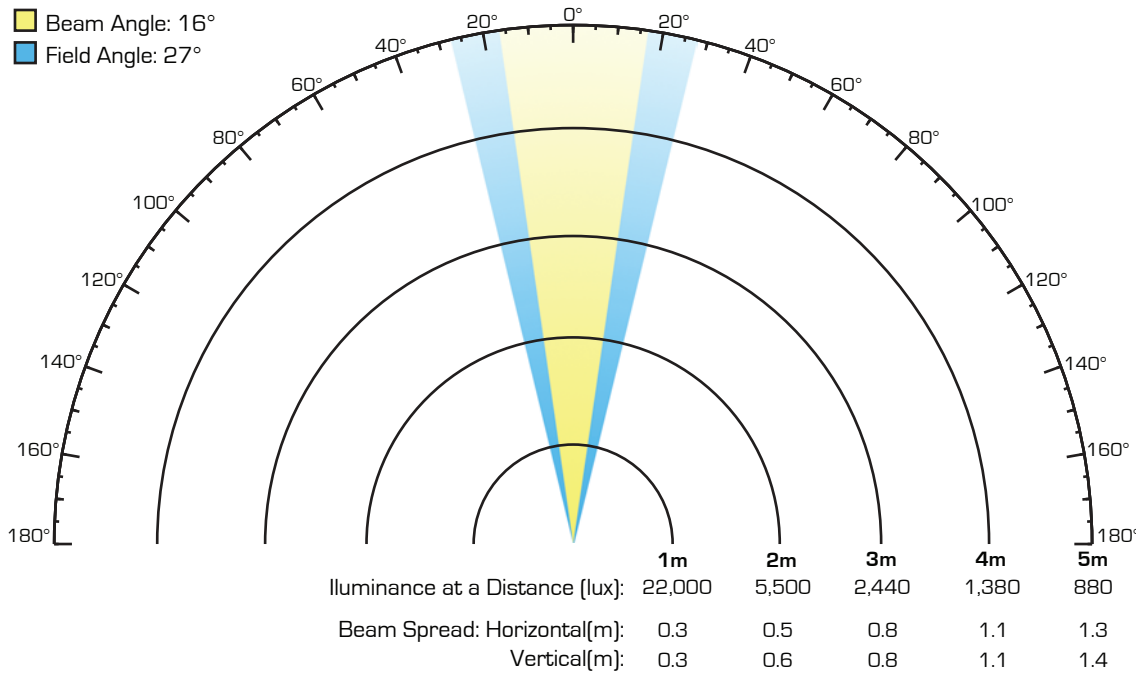
Project: _____

Date: _____ Type: _____

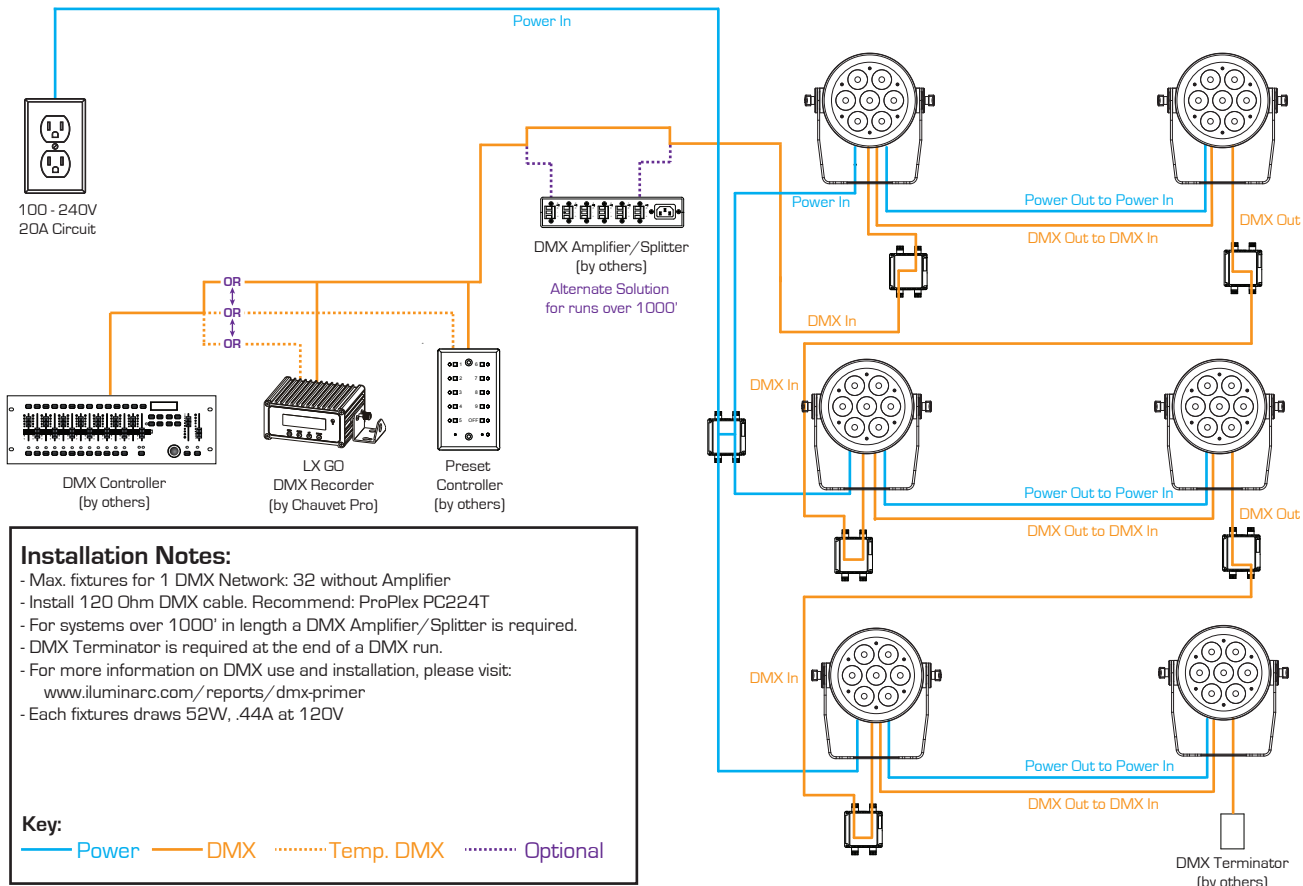
Colorist Pod 7Qa

■ Beam Angle: 16°

■ Field Angle: 27°



Typical Installation



WWW.ILUMINARC.COM - INFO@ILUMINARC.COM

Iluminarc reserves the right to make improvements to this product and its specifications at anytime without notice.

ILUMINARC.
5200 NW 108th Ave.
Sunrise, FL 33351
+1.954.923.3680