

ILUMINARC®

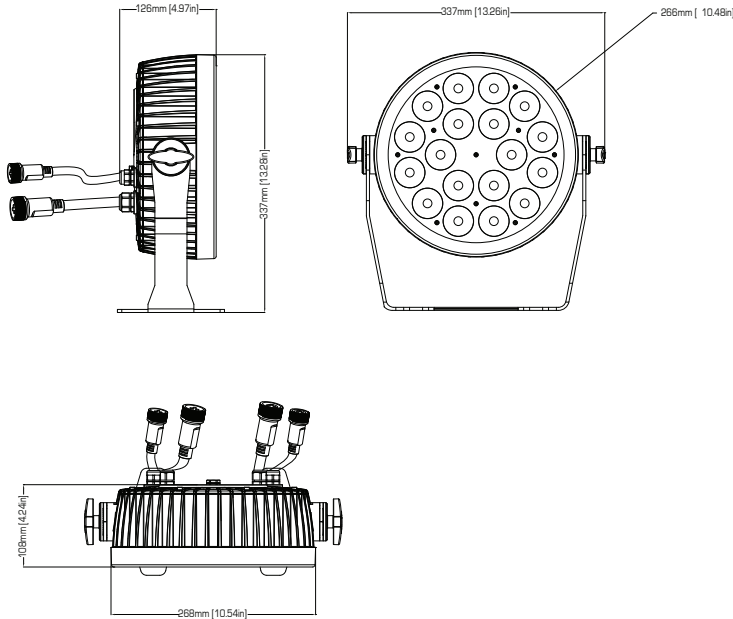
COLORIST Pod 18Qa

Item Number: 03630838

Client: _____

Project: _____

Date: _____ Type: _____



LIGHT SOURCE & OPTICAL SPECIFICATIONS

Light Source: 18 LEDs (quad color RGBA) 15 W, (985 mA)
Light Source Lifespan: 50,000 hours based on LED manufacturer's specifications
Installed Optics: 15°
Beam Angle: 16°
Field Angle: 27°
Lumens: 2,854
Base Illuminance: 2,232 lux @ 5 m
Efficacy: 22.5 lm/W
Minimum Distance to Illuminated Surface: 4 in (92 mm)

CONSTRUCTION & PHYSICAL SPECIFICATIONS

Length: 5.5 in (140 mm)
Width: 13.3 in (337 mm)
Height: 13.3 in (337 mm)
Weight: 15 lb (6.8 kg)
Color: Off white,
Ingress Protection Rating: IP65
Housing Material: Cast aluminum
Lens Cover: Impact resistant glass
Installation Orientation: Fixture aperture vertical up +/- 170°

CONTROL SPECIFICATIONS

Control Protocol: USITT DMX-512a
Control Channels: 4, 6 or 10
Stand Alone Control: Yes
Data Connection: 6.6 ft (2 m) Waterproof Cable

ELECTRICAL SYSTEM SPECIFICATIONS

Input Voltage: Auto-ranging 100 to 240 VAC, 50/60 Hz
Power and Current:
133 W, 1.1 A @ 120 V
128 W, .57 A @ 230 V
Power Supply: Electronic internal
Dimmer: Electronic
Power Linking: 9 units @ 120 V, 16 units @ 208 V, 18 units @ 230 V
Power Connection: 6.6 ft (2 m) Waterproof cable, Edison plug to proprietary IP66 input power cord

THERMAL SPECIFICATIONS

Cooling: Convection
Startup Temperature Range: -4 °F to 104 °F (-20 to 40) °C
Operating Temperature Range: -20 °F to 110 °F (-29 to 43) °C

REGULATORY & VOLUNTARY QUALIFICATION

Certification Listings: MET, CE
Environment: Wet location, IP65, All indoor and limited outdoor permanent installations. Please refer to the User Manual and/or the Quick Reference Guide.
Warranty: 24 month manufacturer's limited warranty (for covered regions only)

Product
Web Page



WWW.ILUMINARC.COM - INFO@ILUMINARC.COM

Iluminarc reserves the right to make improvements to this product and its specifications at anytime without notice.

ILUMINARC.
5200 NW 108th Ave.
Sunrise, FL 33351
+1.954.923.3680

ILUMINARC®

COLORIST Pod 18Qa
Item Number: 03630838

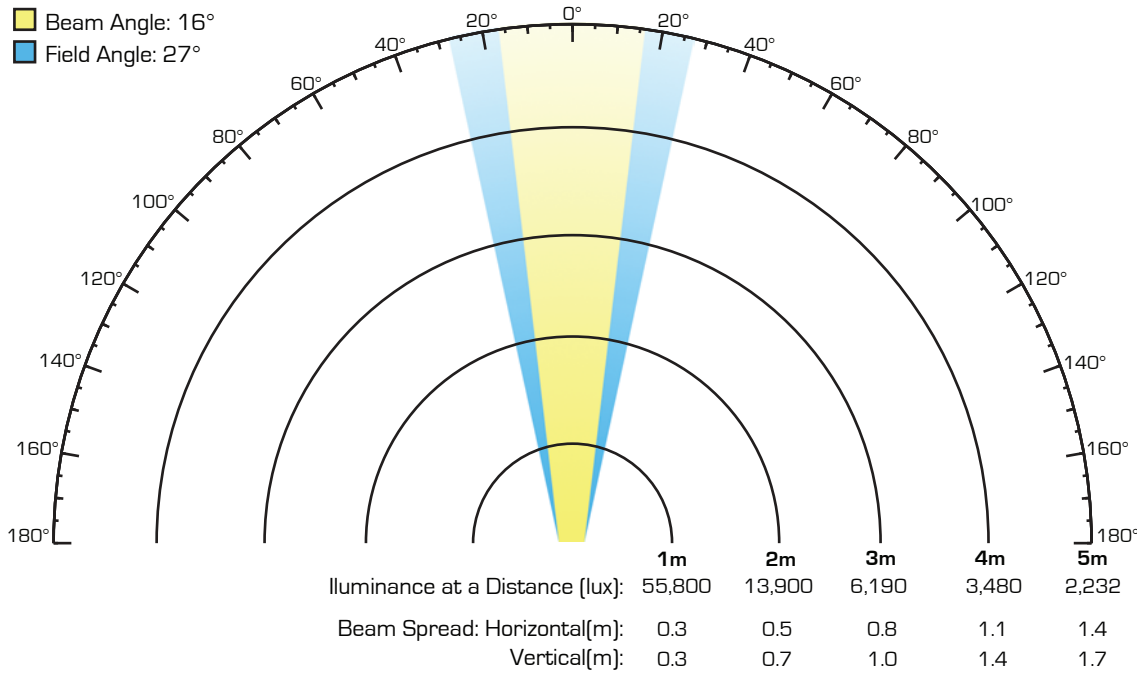
Client: _____

Project: _____

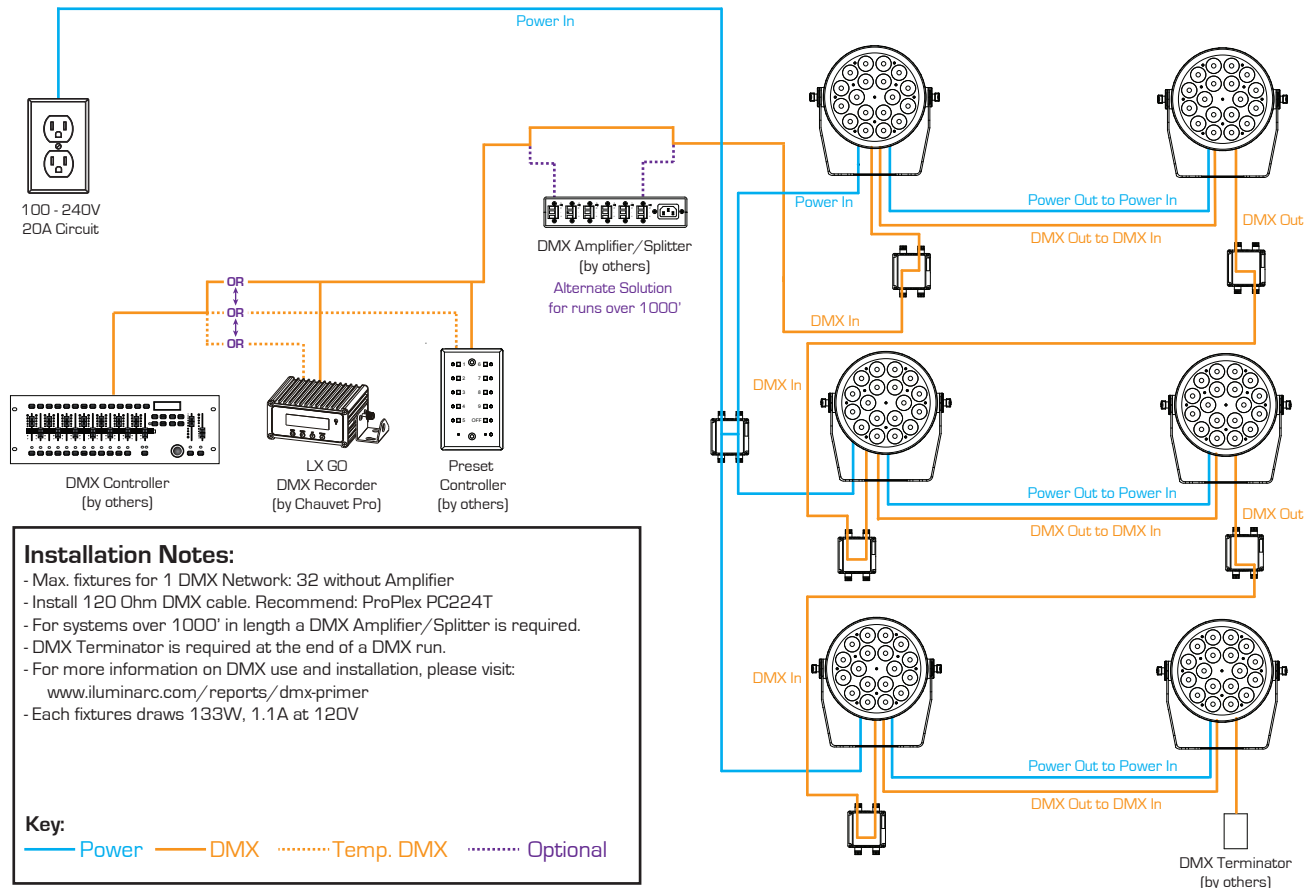
Date: _____ Type: _____

Colorist Pod 18Qa

- Beam Angle: 16°
- Field Angle: 27°



Typical Installation



Installation Notes:

- Max. fixtures for 1 DMX Network: 32 without Amplifier
- Install 120 Ohm DMX cable. Recommend: ProPlex PC224T
- For systems over 1000' in length a DMX Amplifier/Splitter is required.
- DMX Terminator is required at the end of a DMX run.
- For more information on DMX use and installation, please visit: www.iluminarc.com/reports/dmx-primer
- Each fixtures draws 133W, 1.1A at 120V

Key:
— Power — DMX — Temp. DMX — Optional

WWW.ILUMINARC.COM - INFO@ILUMINARC.COM

iluminarc reserves the right to make improvements to this product and its specifications at anytime without notice.

ILUMINARC.
5200 NW 108th Ave.
Sunrise, FL 33351
+1.954.923.3680