

Caséta™ Wireless Plug-In Lamp Dimmer

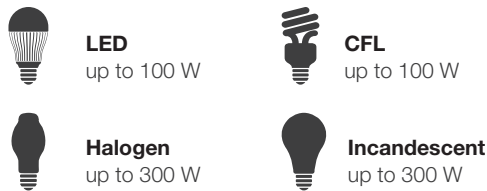
The Caséta™ Wireless plug-in lamp dimmer controls lamp loads automatically through wireless sensors and wireless remote controls, providing a system that delivers energy savings, convenience, and ease of installation.

The Caséta™ Wireless plug-in lamp dimmer uses Lutron® patented Clear Connect® RF Technology, which enables wireless communication with Radio Powr Savr™ sensors and Pico® remote controls for total load control.

Features

- The Caséta™ Wireless plug-in lamp dimmer provides dimming of multiple load types and allows remote control and occupancy/vacancy sensing when paired with wireless transmitting devices.
- Lutron® patented Clear Connect® RF Technology works through walls and floors.
- Dual-receptacle design allows dimming of two plug-in lamps (lamps controlled together).
- Plug-in lamp dimmer ideal for retrofit applications.
- Power failure memory: If power is interrupted, the control will return to its previously set level prior to interruption.
- Works with dimmable LEDs and CFLs as well as incandescent and halogen light bulbs.
- Plug-in lamp dimmer can be converted to a switch to control non-dimmable loads.

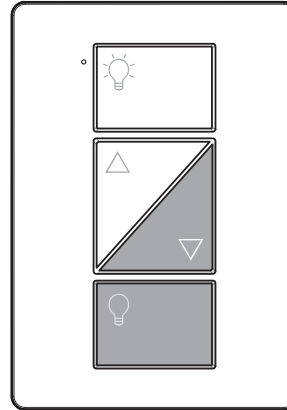
Load Types and Capacity*



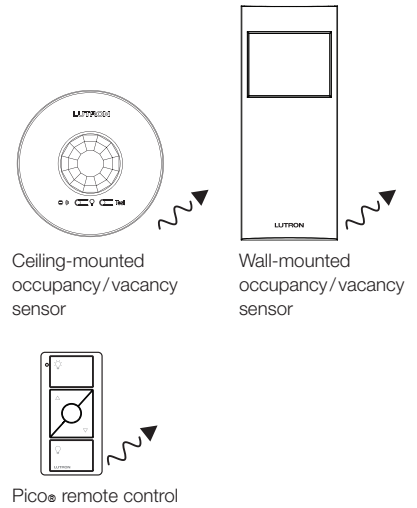
CFL/LED Total Wattage		Incandescent/Halogen Total Wattage
0 W	+	300 W
1 W – 33 W	+	200 W
34 W – 66 W	+	100 W
67 W – 100 W	+	0 W

- Mixing bulb types (using a combination of CFL/LED and Incandescent/Halogen bulbs) reduces maximum wattage as shown in the chart above.
 - Plug-in lamp dimmer has a minimum load requirement of 10 W or one bulb from the compatible list.
- * See www.casetawireless.com/bulblast for the latest list of compatible bulbs.

Receiving Device Caséta™ Wireless Plug-In Lamp Dimmer



Transmitting Devices Radio Powr Savr™ Sensors



Job Name:	Model Numbers:
Job Number:	

Specifications

Regulatory Approvals

- cULus Listed
- NOM certified
- FCC Approved. Complies with the limits for a Class B digital device, pursuant to Part 15 of the FCC Rules
- Industry Canada certified
- COFETEL certified

Power

Operating voltage:
120 V~ 50/60 Hz

Key Design Features*

- Tested to withstand electrostatic discharge without damage or memory loss, in accordance with IEC 61000-4-2.
- Tested to withstand surge voltages without damage or loss of operation, in accordance with IEEE C62.41-1991 Recommended Practice on Surge Voltages in Low-Voltage AC Power Circuits.
- Dimmers always operate locally and do not require system control.
- Power failure memory: should power be interrupted, the control will return to its previously set level prior to the interruption when power is restored.
- Green indicator LED.

System Communications and Capacity

- The plug-in lamp dimmer communicates with Pico® remote controls and Radio Power Savr™ sensors through radio frequency (RF).
- The plug-in lamp dimmer must be located within 60 ft (18 m) line-of-sight or 30 ft (9 m) through walls, of Pico® remote controls and Radio Power Savr™ sensors.
- Up to ten transmitting devices may be associated to each plug-in lamp dimmer.

Environment

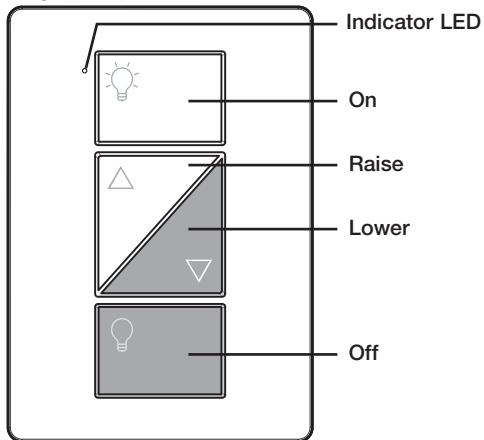
- Ambient operating temperature: 32 °F to 104 °F (0 °C to 40 °C), 0%-90% humidity, non-condensing. Indoor use only.

* For advanced features, tips on how to use Caséta™ Wireless dimmers with CFLs and LEDs, the complete Caséta™ Wireless product line, and more, please visit www.casetawireless.com/features

Job Name:	Model Numbers:
Job Number:	

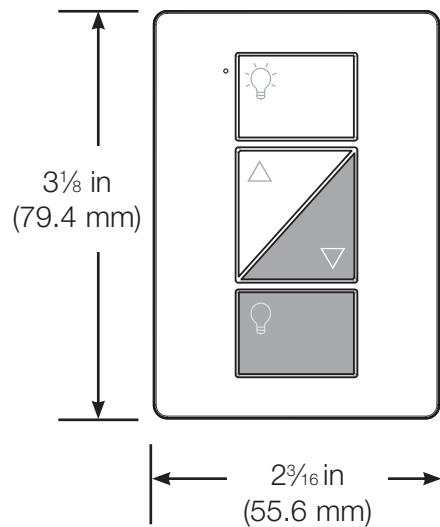
Operation

Plug-In Lamp Dimmer

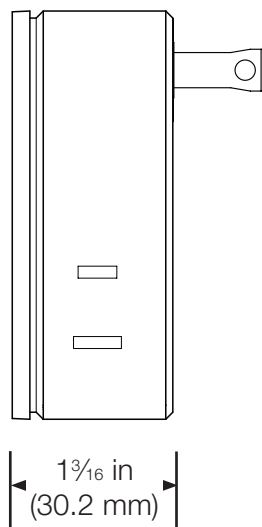


Dimensions

Front View



Side View



Job Name:	Model Numbers:
Job Number:	