

SlimDrive LED Power Supply

SLD-24-75

PRODUCT DESCRIPTION

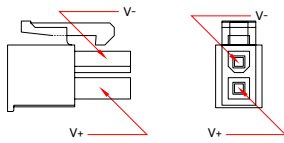
Linkable Class-2 Non-Dimming Power Supply with a narrow profile designed to fit into SEG frames. Due to the connectivity of the inputs, this power supply will likely find its way into many other applications.

Input

- 9 in C8 Input [White wire, non-jacketed]
- 9 in C7 Output [White wire, non-jacketed]

Output

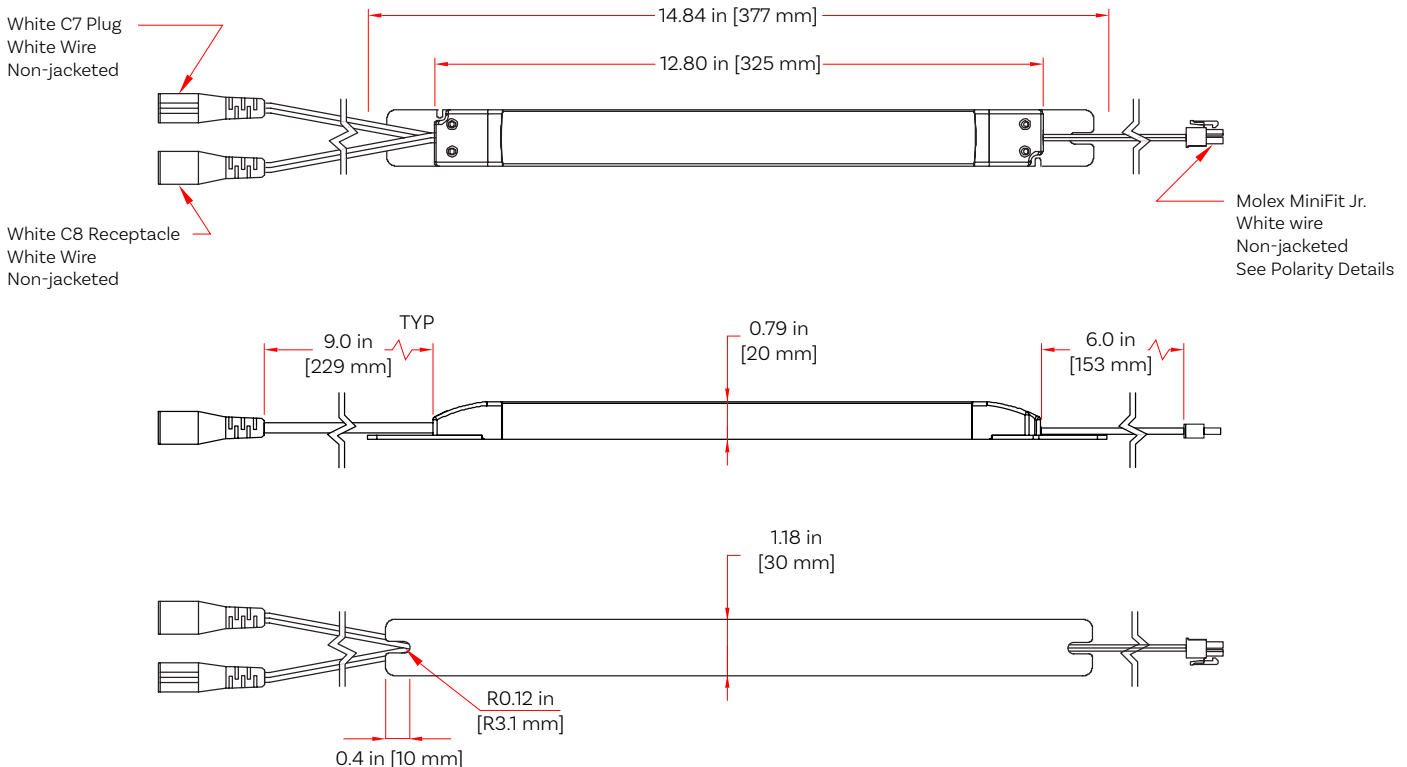
- 6 in Molex Minifit Jr. [White wire, non-jacketed]
- Polarity Details:



PRODUCT ACCESSORIES

- 6 ft North American Power Cord [White], PC-C7-NA-6ft-W
- 12 ft North American Power Cord [White], PC-C7-NA-12ft-W
- 6 ft C7 to C8 Extension [White], PC-C7-C8-6ft-W
- 12 ft C7 to C8 Extension [White], PC-C7-C8-12ft-W
- EdgeLight Fastener, ELLB-F

MECHANICAL SPECIFICATIONS



TECHNICAL SPECIFICATIONS

Product	SLD-24-75
Finish	White
Width	1.18 in (30 mm)
Length	15.55 in (395 mm)
Height	0.79 in (20 mm)
Linkable Up To	7 Drivers
Warranty	5 Year Limited
Rating	UL Listed, Class 2, RoHS
IP Rating	IP20
Input	
Current	100-240 Vac
Voltage	1.0A @ 110 Vac, 0.5A @ 230 Vac
Output	
Power	75 Watts [3.125A] - Full Capacity
Voltage	24 VDC

REGULATORY

- UL Listed
- RoHS Compliant