

SlimDrive LED Power Supply

SLD-24-75-mbc

PRODUCT DESCRIPTION

Linkable Class-2 Non-Dimming Power Supply with a narrow profile designed to fit into SEG frames. Due to the connectivity of the inputs, this power supply will likely find its way into many other applications.

PRODUCT FEATURES & SPECIFICATIONS

- 5-Year Warranty, Limited

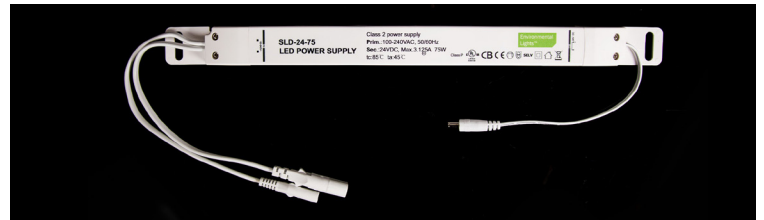
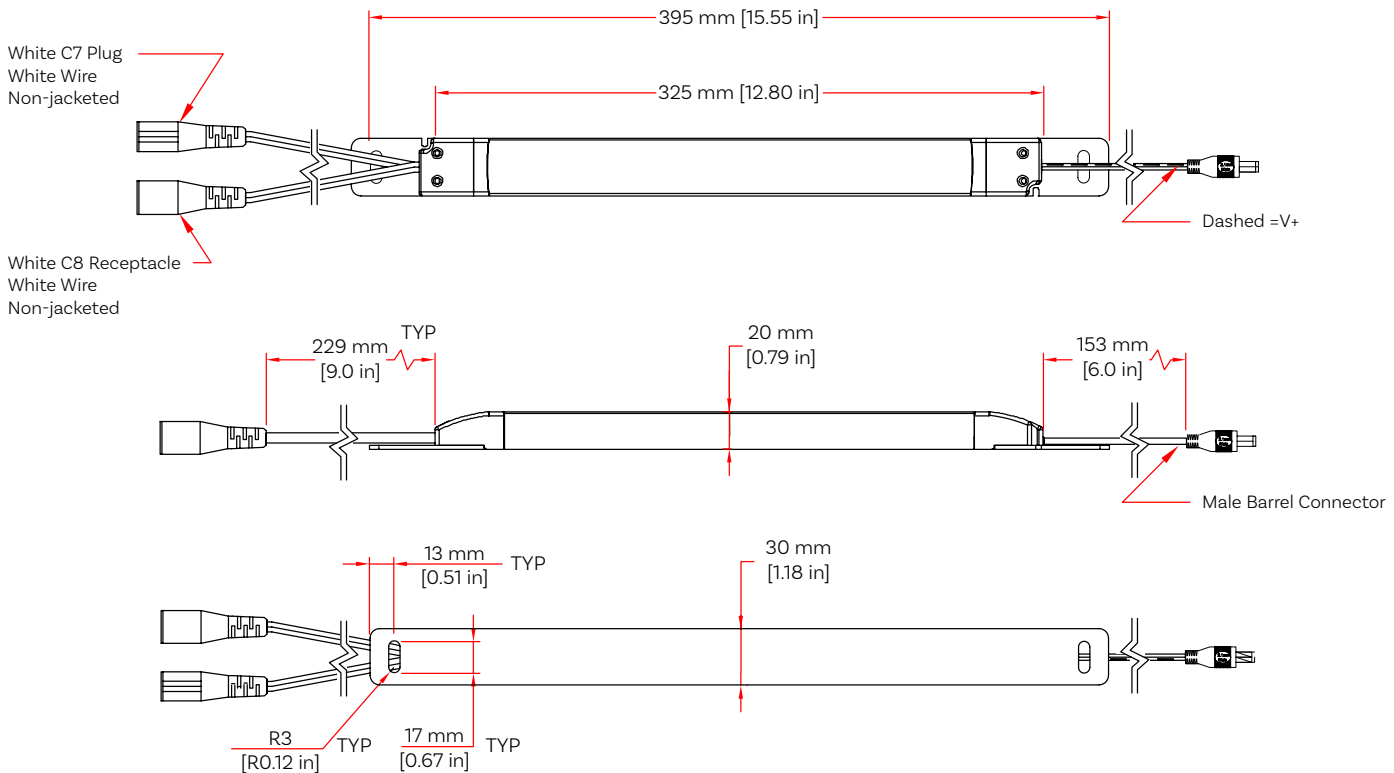
Output Voltage 24 Volts DC	Output Power 75 Watts [3.125A] - Full Capacity
Input Current 100-240 Vac	Input Voltage 1.0A @ 110 Vac, 0.5A @ 230 Vac

Note: Short Circuit, Overload and Over Temperature protection

ANCILLARY PRODUCTS

- 6 ft North American Power Cord [White]
- 12 ft North American Power Cord [White]
- 6 ft C7 to C8 Extension [White]
- 12 ft C7 to C8 Extension [White]

MECHANICAL SPECIFICATIONS



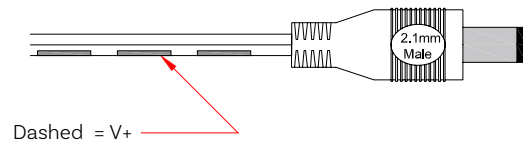
TECHNICAL SPECIFICATIONS

Input

- 9 in C8 Input [White wire, non-jacketed]
- 9 in C7 Output [White wire, non-jacketed]

Output

- 6 in Male Barrel Plug [White wire, non-jacketed]
- Polarity Details:



REGULATORY

- UL Listed
- RoHS Compliant