

Retrofit Kits for Light Boxes

Retrofit kits for light boxes evenly illuminate signs for advertising, graphic backlighting and more. The retrofit kit is easy to install and can be functional within seconds. The kits include light bars with a 160-degree beam angle, power supplies and accessories that would all fit into Duratrans and other sign boxes of any size. Simply choose the kit that is recommended for your light box size.

Each light bar comes with:

- 1x 2-pin jumper for joining light bar to light bar.
- 2x [EL-SCREW-144](#) for mounting.

Box Type	Recommended Area (square inches)	Brightness (lumens/sq.in)	Brightness (lux)
A(Portrait) or B (Landscape)	< 280	1.34	2739
C(Portrait) or D (Landscape)	280-560	1.34	2466
E(Portrait) or F (Landscape)	560-870	1.23	2171
G(Portrait) or H (Landscape)	870-1300	1.24	2315
I(Portrait) or J (Landscape)	1300-1730	1.24	2174
K(Portrait) or L (Landscape)	1730-2300	1.40	2546
M(Portrait) or N (Landscape)	2300-3800	1.27	2342
O(Portrait) or P (Landscape)	3800-5000	1.29	2278
Extra Large (Custom)*	5000+		

*To determine how many light bars (6500K-CC2835-bar-14) is required for extra-large light boxes, use the equation below.

$$\# \text{ [6500K-CC2835-bar-14](#) light bars} = (2.4 * \text{Area})/1000$$

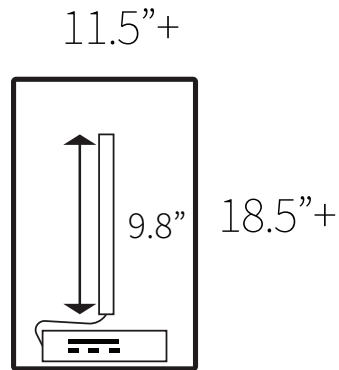
Where Area is in square inches

Important Note:

Use no more than three [6500K-CC2835-bar-14](#) light bars for each [LPV-60-24](#) power supply.

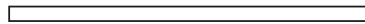
Box Type "A"

Uses RKL B-65-1-10 Kit



———— = 10 inches
1:10 Scale

1x 9.8" LED Light Bars
with jumpers



1x Power Supply

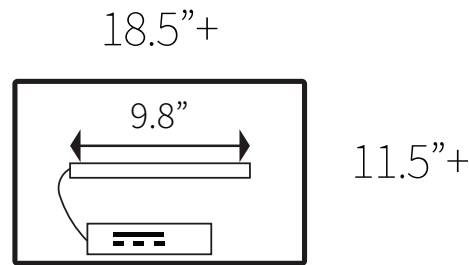


6500K-CC2835-bar-7

LPV-60-24

Box Type "B"

Uses RKL B-65-1-10 Kit



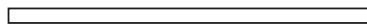
————— = 10 inches
1:10 Scale

1x 9.8" LED Light Bars
with jumpers

6500K-CC2835-bar-7

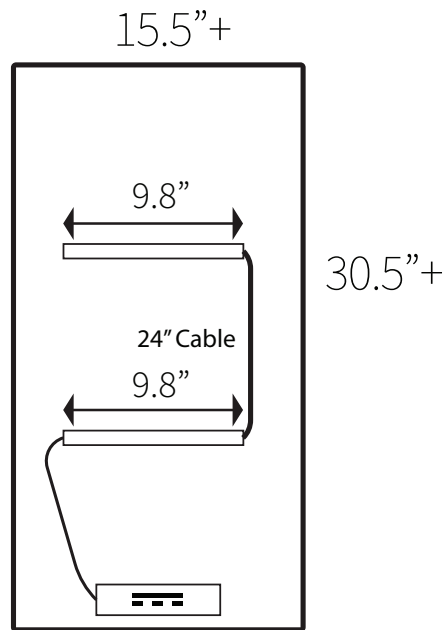
1x Power Supply

LPV-60-24



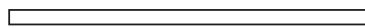
Box Type "C"

Uses RKLB-65-2-10 Kit



— = 10 inches
1:10 Scale

2x 9.8" LED Light Bars
with jumpers



6500K-CC2835-bar-7

1x Power Supply



LPV-60-24

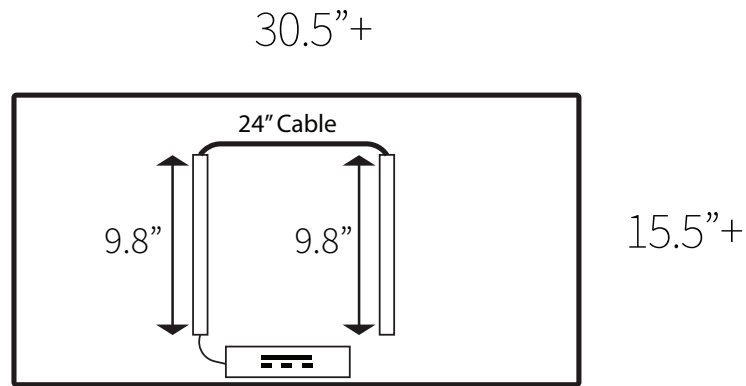
1x 2-Conductor Cable



2-24SCW

Box Type "D"

Uses RKL B-65-2-10 Kit



————— = 10 inches
1:10 Scale

2x 9.8" LED Light Bars
with jumpers

6500K-CC2835-bar-7



1x Power Supply

LPV-60-24



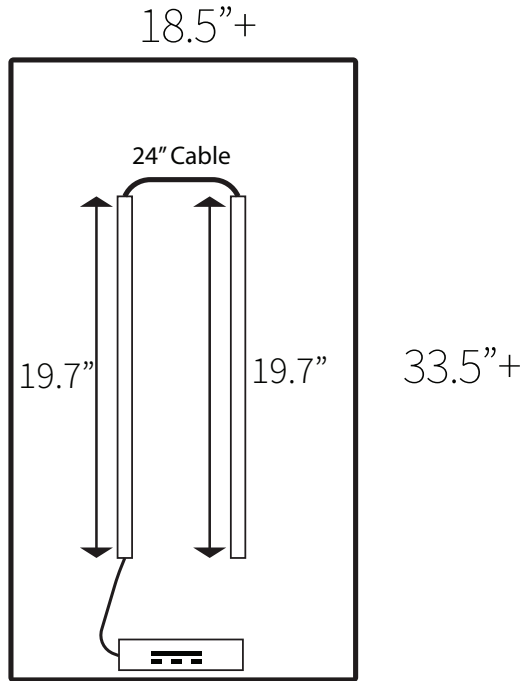
1x 2-Conductor Cable


2-24SCW



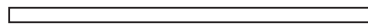
Box Type "E"

Uses RKL B-65-2-20 Kit



 = 10 inches
 1:10 Scale

2x 19.7" LED Light Bars with jumpers *6500K-CC2835-bar-14*



1x Power Supply *LPV-60-24*

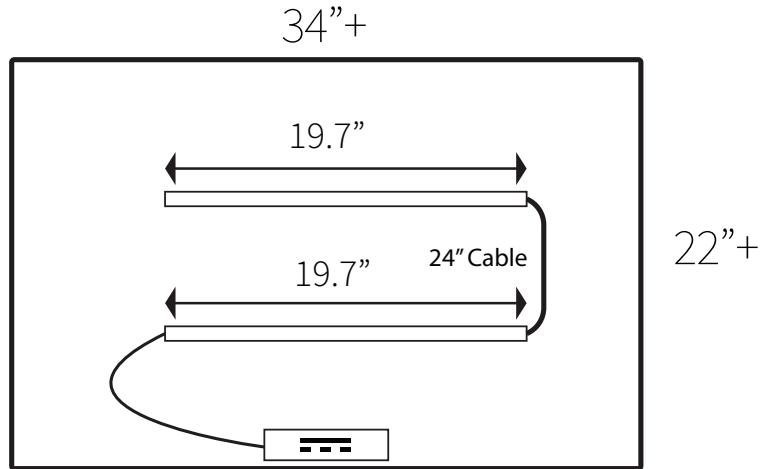


1x 2-Conductor Cable *2-24SCW*



Box Type "F"

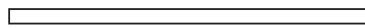
Uses RKL6-65-2-20 Kit



————— = 10 inches
1:10 Scale

2x 19.7" LED Light Bars
with jumpers

6500K-CC2835-bar-14



1x Power Supply

LPV-60-24



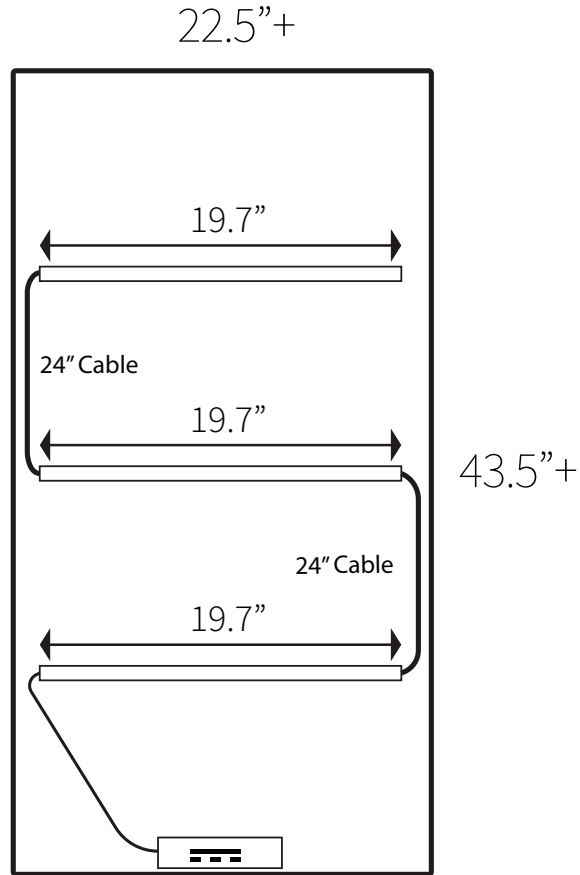
1x 2-Conductor Cable

2-24SCW



Box Type "G"

Uses RKLB-65-3-20 Kit



— = 10 inches
1:10 Scale

3x 19.7" LED Light Bars
with jumpers

6500K-CC2835-bar-14

1x Power Supply

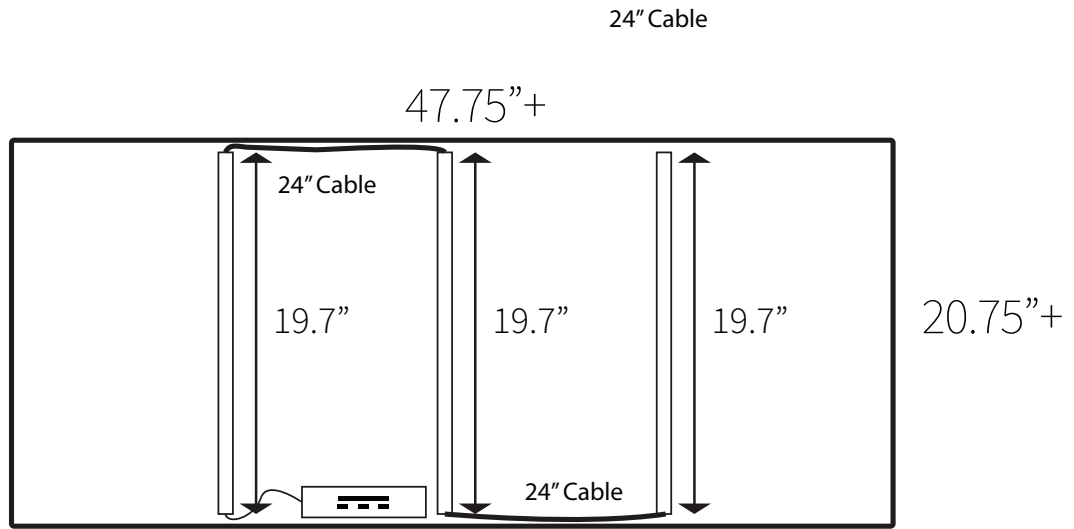
LPV-60-24


2x 2-Conductor Cable

2-24SCW

Box Type "H"

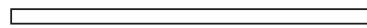
Uses RKL B-65-3-20 Kit



 = 10 inches
 1:10 Scale

3x 19.7" LED Light Bars
with jumpers

6500K-CC2835-bar-14



1x Power Supply

LPV-60-24



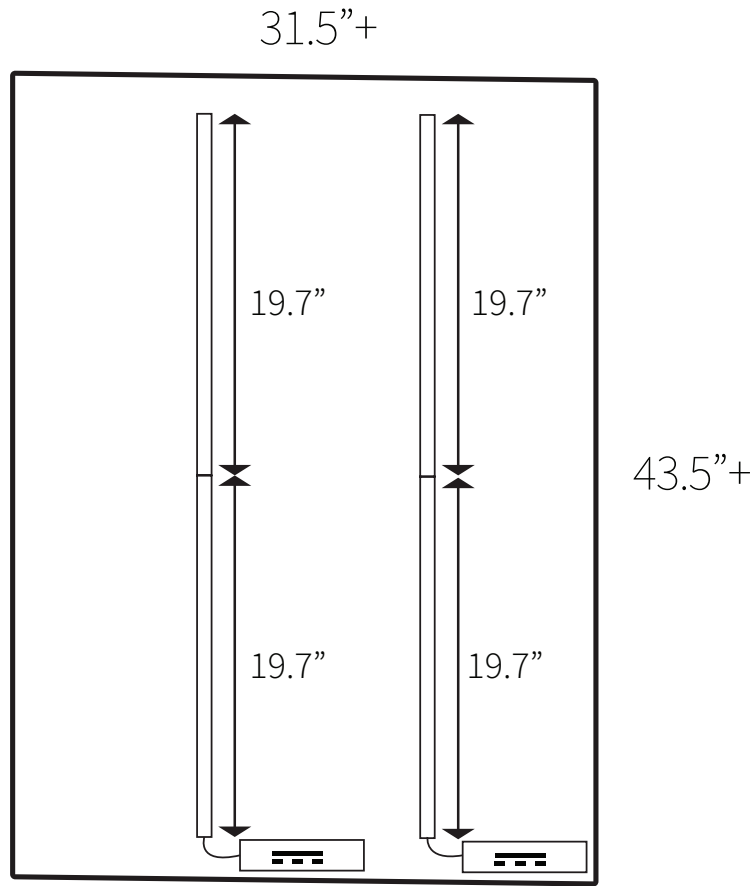
2x 2-Conductor Cable

2-24SCW



Box Type "I"

Uses RKL B-65-4-20 Kit



————— = 10 inches
1:10 Scale

4x 19.7" LED Light Bars
with jumpers

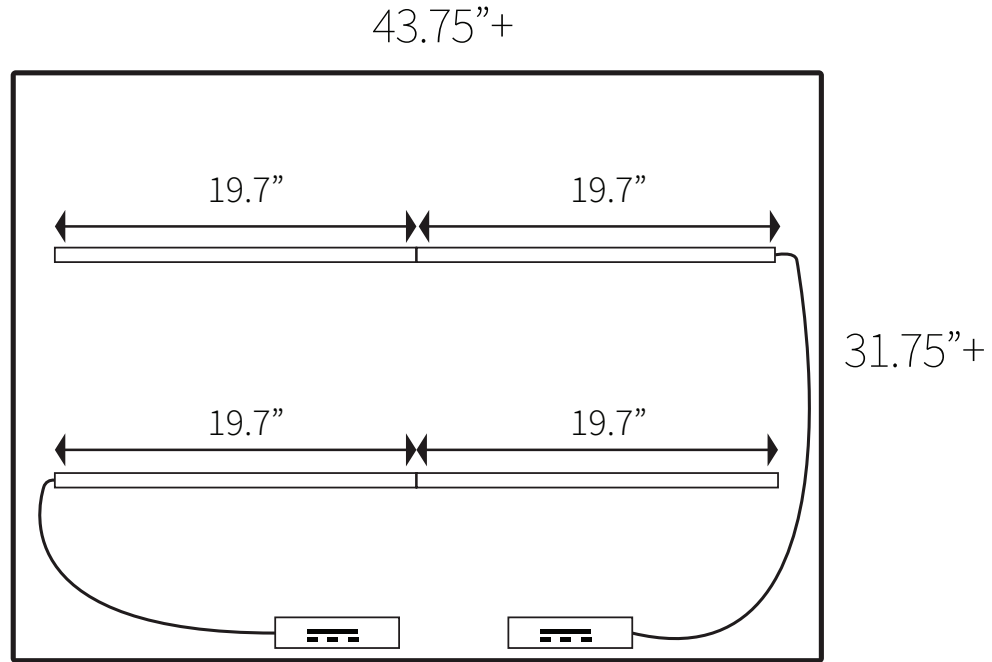
6500K-CC2835-bar-14

2x Power Supplies

LPV-60-24

Box Type "J"

Uses RKL B-65-4-20 Kit



— = 10 inches
1:10 Scale

4x 19.7" LED Light Bars
with jumpers

6500K-CC2835-bar-14

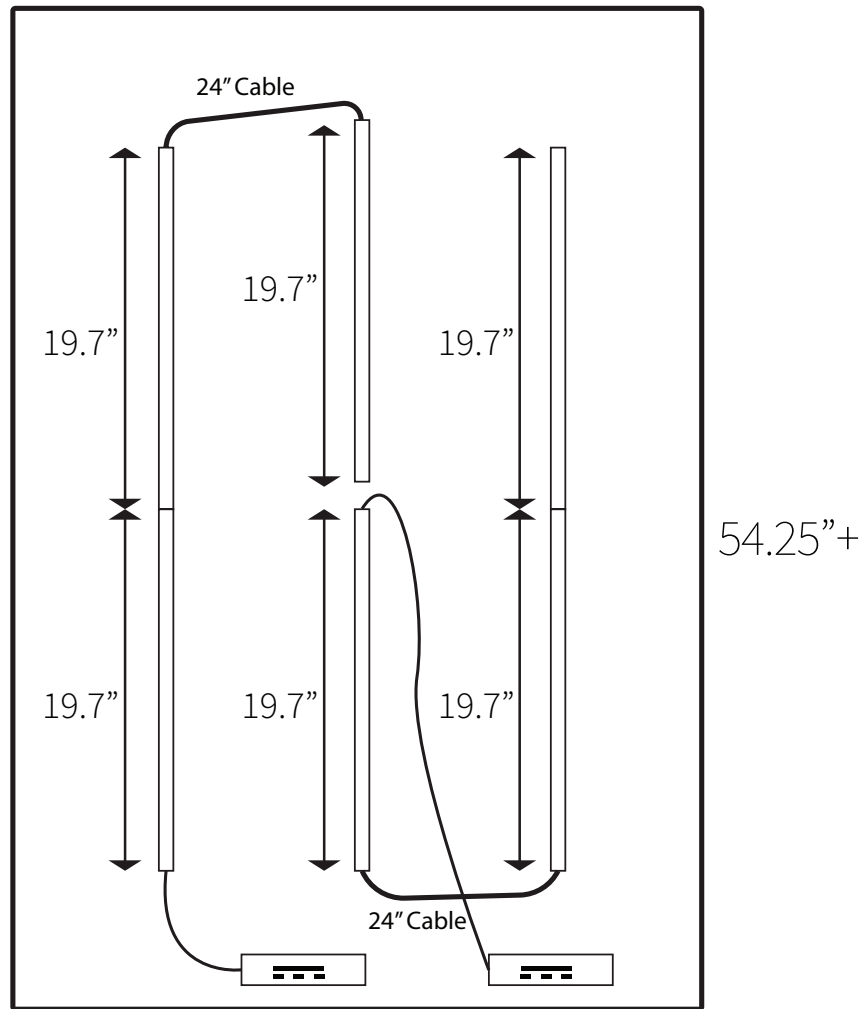
2x Power Supplies

LPV-60-24

Box Type "K"

Uses RKL B-65-6-20 Kit

37.25"+



— = 10 inches
1:10 Scale

6x 19.7" LED Light Bars
with jumpers

6500K-CC2835-bar-14

2x Power Supplies

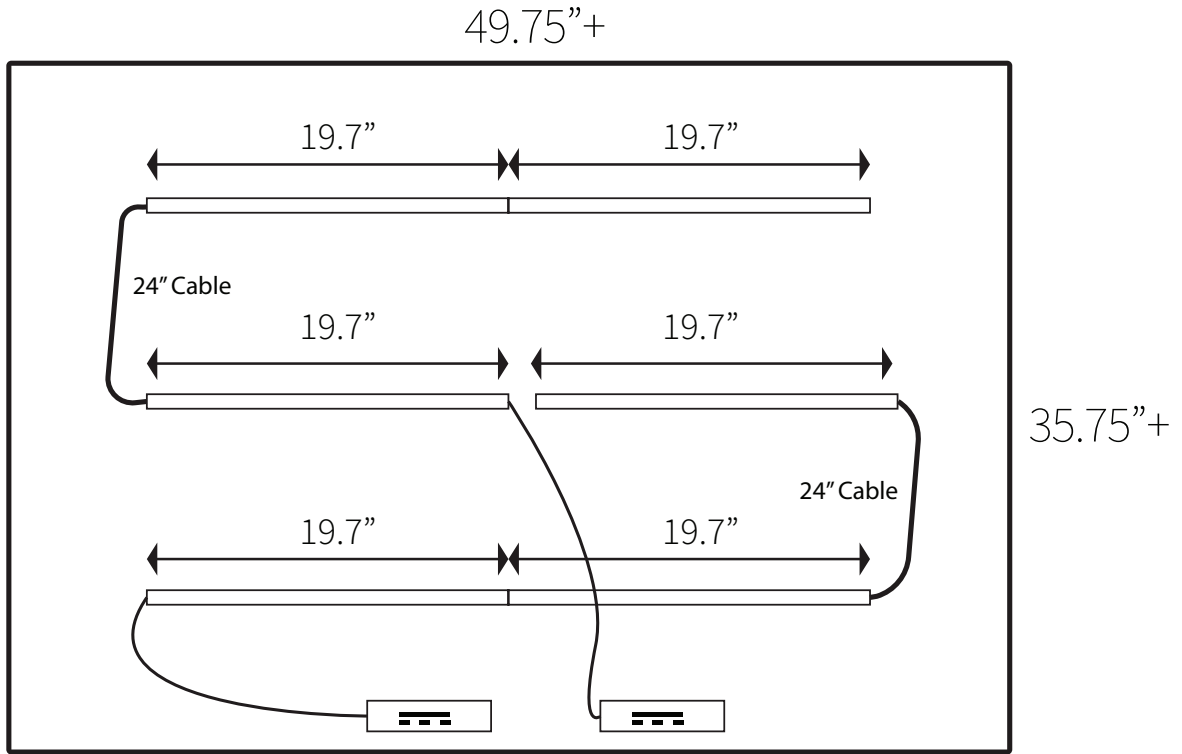
LPV-60-24


2x 2-Conductor Cable

2-24SCW

Box Type "L"

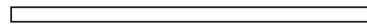
Uses RKL B-65-6-20 Kit



 = 10 inches
 1:10 Scale

6x 19.7" LED Light Bars
with jumpers

6500K-CC2835-bar-14



2x Power Supplies

LPV-60-24



2x 2-Conductor Cable

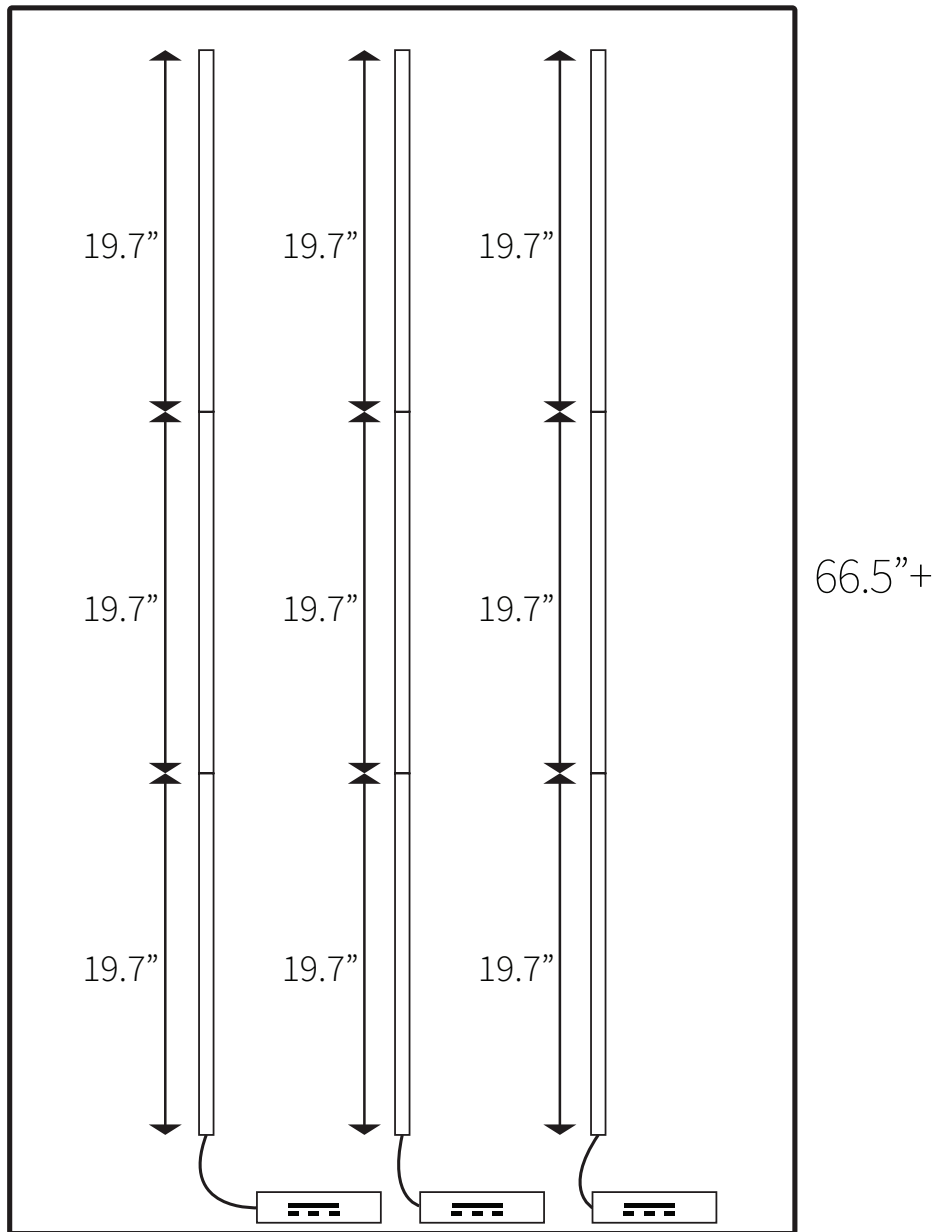
2-24SCW



Box Type "M"

Uses RKL B-65-9-20 Kit

42.5"+



————— = 10 inches
1:10 Scale

9x 19.7" LED Light Bars
with jumpers

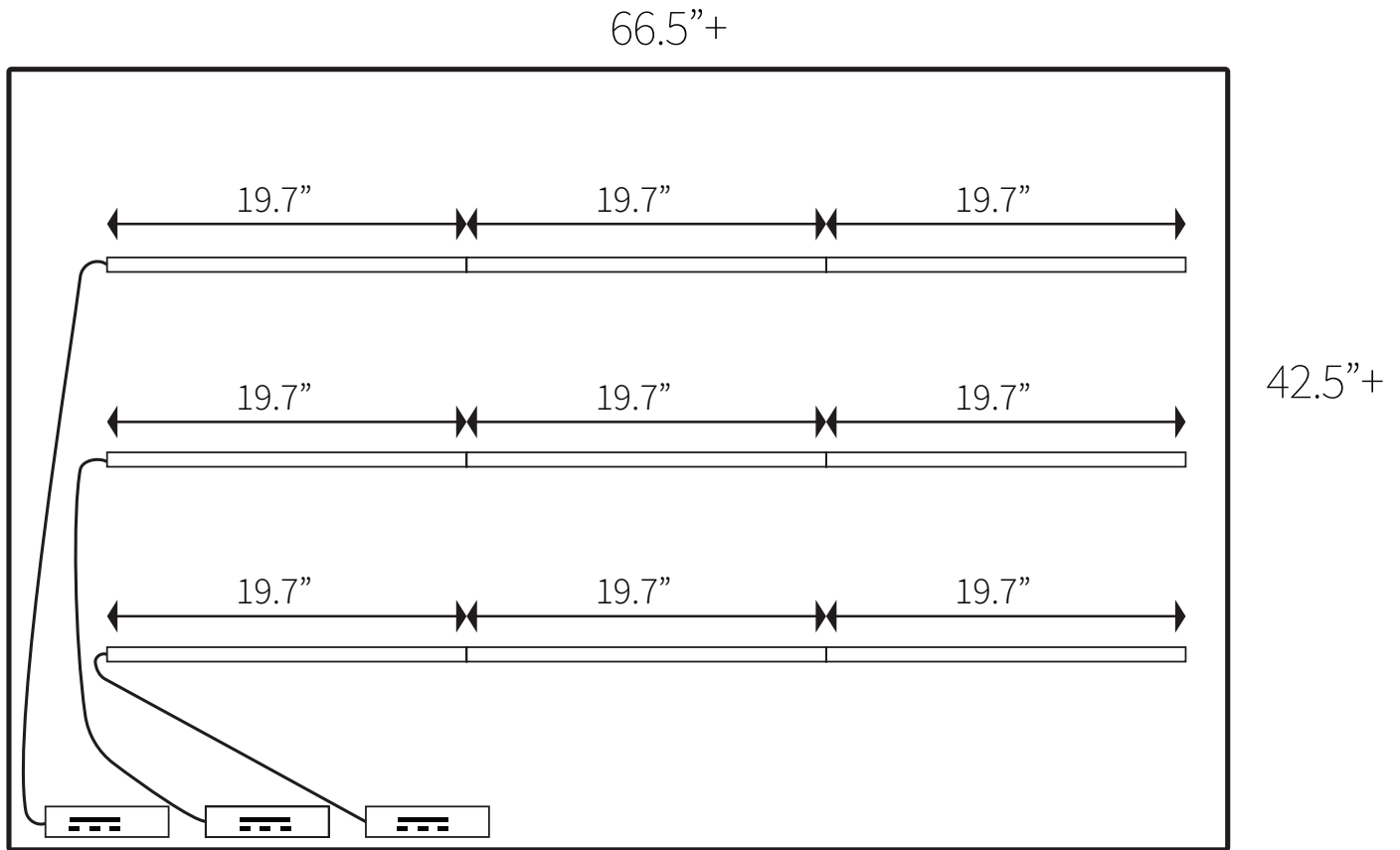
6500K-CC2835-bar-14


3x Power Supplies

LPV-60-24

Box Type "N"

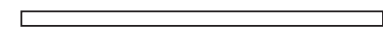
Uses RKLB-65-9-20 Kit



 = 10 inches
 1:10 Scale

9x 19.7" LED Light Bars
with jumpers

6500K-CC2835-bar-14



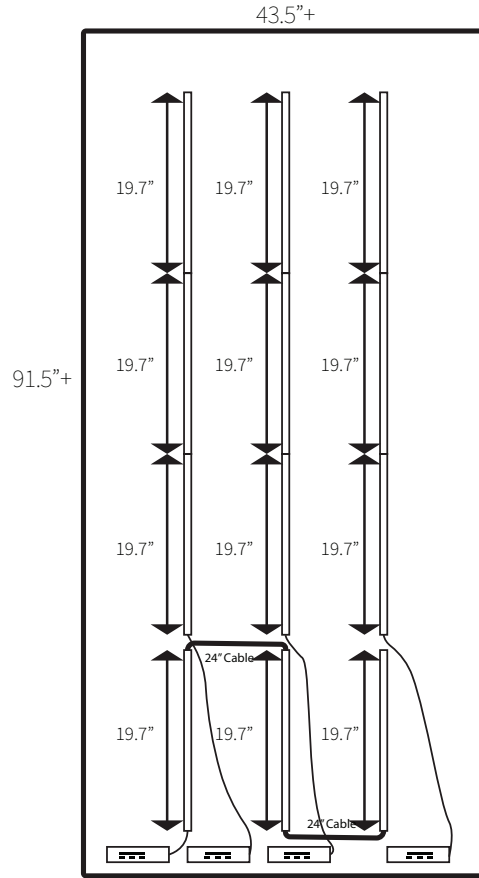
3x Power Supplies

LPV-60-24



Box Type "O"

Uses RKLB-65-12-20 Kit



————— = 20 inches
1:20 Scale

12x 19.7" LED Light Bars
with jumpers

6500K-CC2835-bar-14

4x Power Supplies

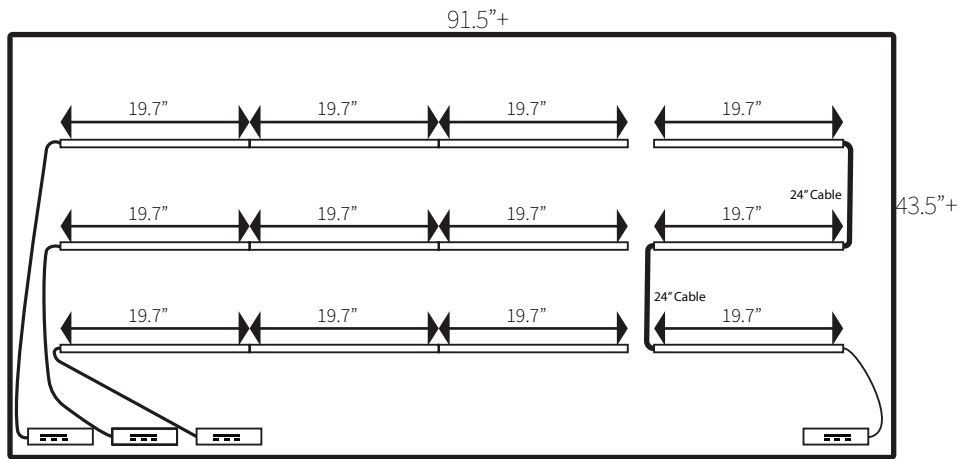
LPV-60-24


2x 2-Conductor Cable

2-24SCW

Box Type "P"

Uses RKL B-65-12-20 Kit



 = 20 inches
 1:20 Scale

12x 19.7" LED Light Bars
with jumpers

6500K-CC2835-bar-14

4x Power Supplies

LPV-60-24

2x 2-Conductor Cable

2-24SCW