

RGB 5050 LED Strip Light, 24 V

RGB-5050-60-24V-X



PRODUCT DESCRIPTION

Eluxtra™ RGB 5050 LED Strip Light features 60 LEDs per meter and RGB color mixing that enables you to effortlessly create millions of colors. It is an incredibly versatile product that can be controlled using any of our RGB controllers or dimmers. Run a full reel without any visible voltage drop or corresponding color changes along the length of the run.

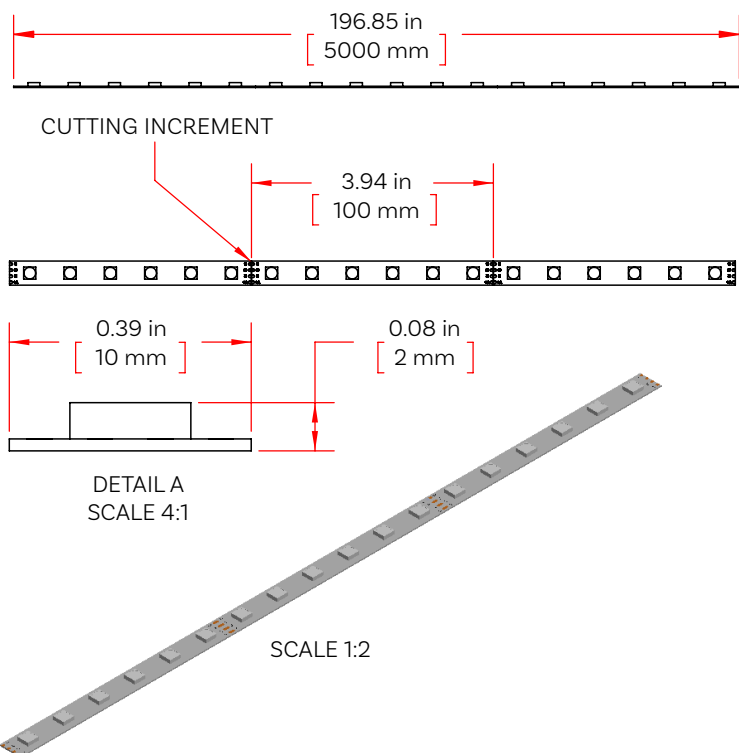
This high quality and dependable strip light is an ideal lighting solution for utilizing color in dynamic set designs, eye-catching retail displays, and so much more.

Ideal Application: Ideal for film and video projects as well as scenic, retail environments, home and commercial AV integration, and many other applications.

PRODUCT FEATURES

- RGB color mixing enables millions of unique colors
- IP65 waterproof option available
- UL Listed

MECHANICAL SPECIFICATIONS



TECHNICAL SPECIFICATIONS

Product Number	RGB-5050-60-24V-5m
Ambient Temperature	-20°C to 40°C
Average Lifetime	50,000 hours
Beam Angle	120°
Brightness	140/385/85 lm/meter
Color Detail	Red, Green, Blue
Density	60 LEDs/meter
Height	0.08 in (2 mm)
Input Current	3000 mA
Input Voltage	24 DC
IP Rating	IP20
Lead Detail	Bare Wire / 200 mm (both)
LED Node Size	5050
Length	16.4 ft (5 m)
Min. Cutting Increment	3.94 in (100 mm)
Power (Watts/ft)	4.4 Watts/ft
Power (Watts/m)	14.4 Watts/m
Regulatory	UL, RoHS
Warranty	5 years limited
Width	0.39 in (10 mm)

Eluxtra™ products are exclusively available for purchase through Environmental Lights and City Theatrical.