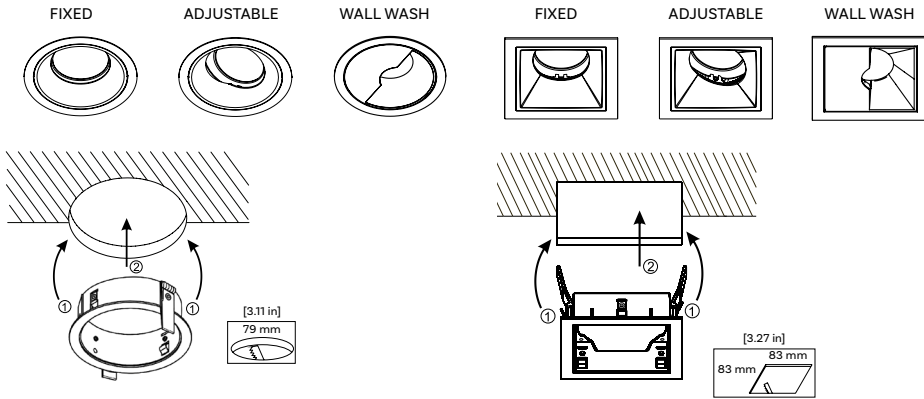


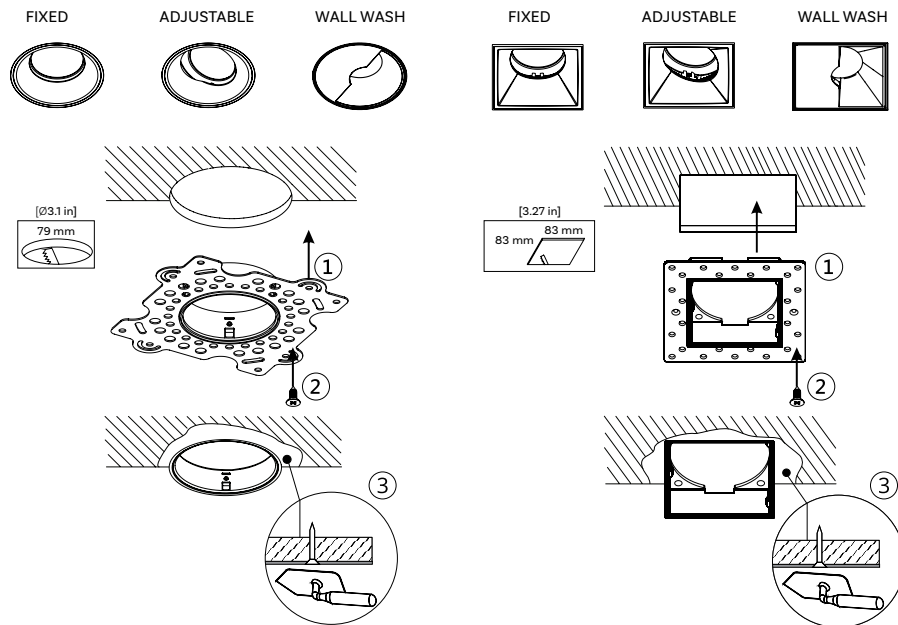
# REVI Installation Instructions

## REVI 3-inch Downlight

### A TRIM INSTALLATION / TRIMMED



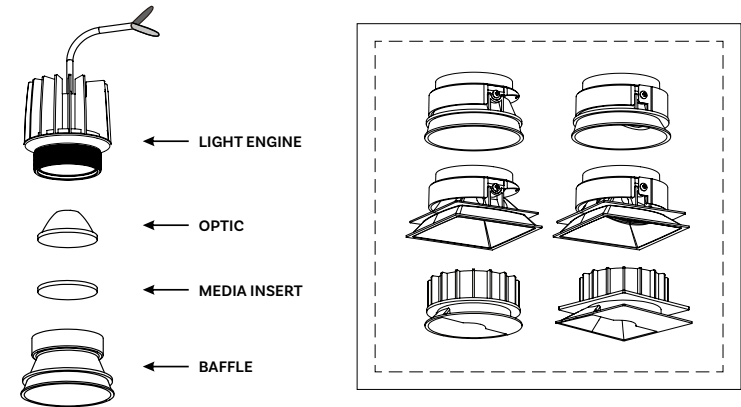
### TRIM INSTALLATION / TRIMLESS



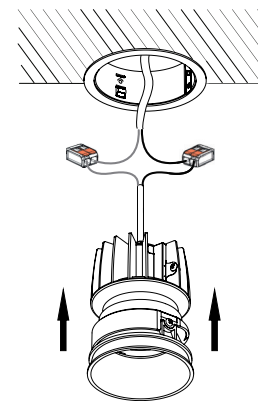
### INSTALLATION INSTRUCTIONS

1. Follow all local electrical codes, rules, regulation and guidelines.
2. Before installation, make sure power supply is off.
3. Wire polarity: Red lead -V+, Yellow lead -V-.
4. If wiring multiple fixtures per channel they must be wired in series.

### B FIXTURE ASSEMBLY

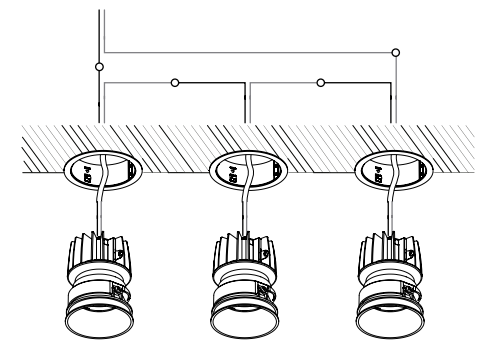


### C WIRING / SINGLE FIXTURE



Wire Polarity:  
Red Lead, -V+  
Yellow Lead, -V-

### WIRING / MULTIPLE FIXTURES



Up to (4) x 9V fixtures or up to (2) x 18V REVI 3-inch downlights can be wired onto a single Class-2 power feed. Whenever wiring multiple REVI 3-inch downlight fixtures onto a single channel, they must be wired in series where the red V+ wire will serve as the input and yellow V- will pass current to the following fixture.

#### IC BOX REQUIRED:

For all 36 Volt fixtures, all adjustable fixtures & whenever there is a local jurisdiction that requires the use of an IC box.

For More Information

888.880.1880

ContactUs@EnvironmentalLights.com

©2020 Environmental Lights. All rights reserved.