

## REVI XLC 8-inch Adjustable Downlight

Open- **REVI-XLC-8SCALCDB79VB-X-X-X-WC, 8SCAH-X**  
Lensed- **REVI-XLC-8SCALCDB79VB-X-X-L-WC, 8SCA-X-X**

### PRODUCT DESCRIPTION

Low voltage LED lighting fixtures using REVI remote driver platforms are ideally suited to improve LED illumination and reliability. Remote driver platforms are useful in difficult-to-access ceilings or architectural features. The REVI XLC downlight fixtures allow lighting designers and integrators to select from specific lumen levels, correlated color temperature, beam distribution, and finishes to configure a comprehensive lighting solution.

**Ideal Application:** Sloped ceilings and wall wash applications in House of Worship, Auditoriums, Gymnasiums and pendants up to 6,181 lumens.

### SYSTEM FEATURES

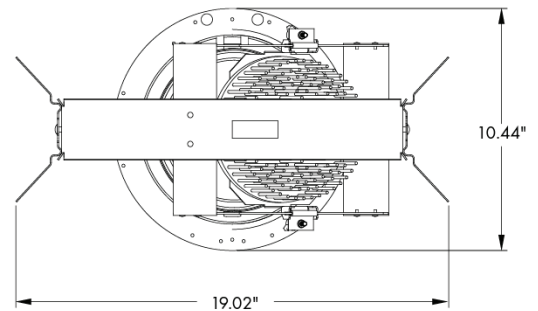
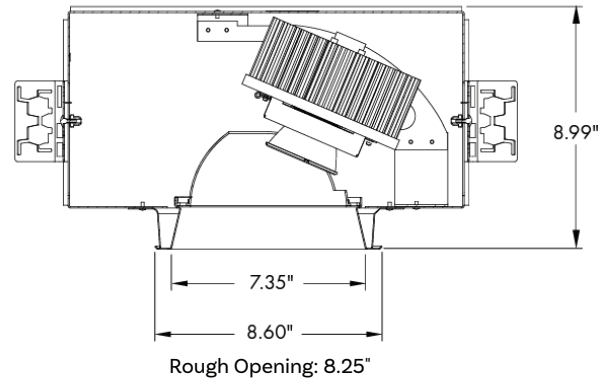
- Dual-optic system includes upper cone which determines the beam distribution and lower reflector to finish the ceiling without glare and features a 45° cut-off to source and source image.
- Single axis adjustable chassis that tilts up to 38° to accommodate sloped ceilings or to provide wall wash and accent lighting.
- Heavy-gauge galvanized steel housing provides a secure mounting platform for the electrical components and protects the optical assembly.
- Vertically adjustable mounting brackets accept expandable hanger bars which are included.

### TECHNICAL DATA

- All power leads include WAGO™ connectors for fast power connection
- Thermally protected
- See table for wattages and delivered lumens at various drive currents
- L70 = 50,000 hours at 45°
- CRI 90+ is standard for fixtures. CRI 95+ option is available for applications up to 1200mA.

### REMOTE DRIVER OPTIONS

The REVI system features a remote panel that operates multiple lighting fixtures. These remote power supplies can be installed in an easy-to-access area such as a utility closet. Benefits include longer driver life due to reduced exposure to the heat of the LED engine and emergency (EM) options. Low-voltage class-2 wiring between driver panel and lighting fixture. No conduit required.



5 Year  
Warranty



## ASSEMBLY BUILDER [OPEN]

REVI-XLC-8SCALCDB79VB

### Fixture Catalog Number

Example: REVI-XLC-8SCALCDB79VBT-5K-N-WC = 5000K Color Temperature with 95+ CRI, 35° Narrow Beam

REVI-XLC-8SCALCDB79VB				WC
Fixture Series	Color Rendering Index	Color Temperature	Beam	WAGO™ Connector
	C9 = 90+*	5K = 5000K	N = 35°	
	T = 95+*	4K = 4000K	M = 50°	
		35K = 3500K	W = 70°	
		3K = 3000K	G1 = Wall Wash	
		27K = 2700K	G2 = Forward Throw	

\*By default, all fixtures come with 90 CRI unless otherwise indicated. For 95+ CRI, replace "C9" with T, Ex: REVI-XLC-8SCALCDB79VBC9-5K-N-WC > **REVI-XLC-8SCALCDB79VBT-5K-N-WC**

8SCAH

### Flange Catalog Number

Example: 8SCAH-HAZ = Haze Alzak Reflector w/ Matte White Flange

8SCAH	
Trim Series	Flange
	SCLPF = Soft Spec Clear Reflector w/ Polished Flange***
	SCL = Soft Spec Clear Reflector w/ Matte White Flange***
	HAZPF = Haze Alzak Reflector w/ Polished Flange***
	HAZ = Haze Alzak Reflector w/ Matte White Flange***
	MWH = Matte White Reflector w/ Matte White Flange***
	WL = Wet Location

\*\* Lumen output and beam spreads will vary upon lens.

\*\*\* By default, all fixtures come with SCLPF (Soft Spec Clear Reflector w/ Polished Flange) unless otherwise indicated. All flange options are damp rated unless the WL (Wet Location) option is chosen.

## ASSEMBLY BUILDER [LENSED]

REVI-XLC-8SCALCDB79VB

### Fixture Catalog Number

Example: REVI-XLC-8SCALCDB79VBT-5K-L-WC = 5000K Color Temperature with 95+ CRI, 35° Narrow Beam

REVI-XLC-8SCALCDB79VB			L	WC
Fixture Series	Color Rendering Index	Color Temperature	Lensed	WAGO™ Connector
	C9 = 90+*	5K = 5000K		
	T = 95+*	4K = 4000K		
		35K = 3500K		
		3K = 3000K		
		27K = 2700K		

\*By default, all fixtures come with 90 CRI unless otherwise indicated. For 95+ CRI, replace "C9" with T - Example: REVI-XLC-8SCALCDB79VBC9-5K-L-WC > **REVI-XLC-8SCALCDB79VBT-5K-L-WC**

8SCA

### Flange Catalog Number

Example: 8SCA-L3-HAZ = Prismatic Glass Lens, Haze Alzak Reflector w/ Matte White Flange

8SCA		
Trim Series	Lens	Flange
L3 = Prismatic Glass Lens**		SCLPF = Soft Spec Clear Reflector w/ Polished Flange***
L5 = Frosted Glass Lens**		SCL = Soft Spec Clear Reflector w/ Matte White Flange***
L6 = Frosted Acrylic Lens**		HAZPF = Haze Alzak Reflector w/ Polished Flange***
L7= Solite Micro-Prismatic Glass Lens**		HAZ = Haze Alzak Reflector w/ Matte White Flange***
L8 = Clear Poly Carbonate Lens**		MWH = Matte White Reflector w/ Matte White Flange***
L9 = Clear Tempered Glass Lens**		WL = Wet Location

\*\* Lumen output and beam spreads will vary upon lens.

\*\*\* By default, all fixtures come with SCLPF (Soft Spec Clear Reflector w/ Polished Flange) unless otherwise indicated. All flange options are damp rated unless the WL (Wet Location) option is chosen.

DELIVERED LUMEN FOR LOW-OUTPUT DRIVER SETTINGS

Data based on fixture with 3500K Color Temperature at listed drive currents powered by REVI-Drive-12-250W and REVI-Drive-4-100W.

Fixture	Trim	Current (mA)	Wattage	Rated Lumens	Delivered Lumens	Beam Distribution	LPW
REVI-XLC-8SCALCDB79VB35KM40	8SCAHSCLPF	200	7	1000	938	40°	133.95
REVI-XLC-8SCALCDB79VB35KM50	8SCAHSCLPF	200	7	1000	952	50°	136.02
REVI-XLC-8SCALCDB79VB35KM60	8SCAHSCLPF	200	7	1000	949	60°	135.61
REVI-XLC-8SCALCDB79VB35KM70	8SCAHSCLPF	200	7	1000	938	70°	133.93
REVI-XLC-8SCALCDB79VB35KM40	8SCAHSCLPF	300	10	1500	1193	40°	119.34
REVI-XLC-8SCALCDB79VB35KM50	8SCAHSCLPF	300	10	1500	1212	50°	121.18
REVI-XLC-8SCALCDB79VB35KM60	8SCAHSCLPF	300	10	1500	1208	60°	120.82
REVI-XLC-8SCALCDB79VB35KM70	8SCAHSCLPF	300	10	1500	1193	70°	119.32
REVI-XLC-8SCALCDB79VB35KM40	8SCAHSCLPF	350	12	1750	1534	40°	127.86
REVI-XLC-8SCALCDB79VB35KM50	8SCAHSCLPF	350	12	1750	1558	50°	129.84
REVI-XLC-8SCALCDB79VB35KM60	8SCAHSCLPF	350	12	1750	1553	60°	129.45
REVI-XLC-8SCALCDB79VB35KM70	8SCAHSCLPF	350	12	1750	1534	70°	127.85
REVI-XLC-8SCALCDB79VB35KM40	8SCAHSCLPF	400	14	2000	1875	40°	133.95
REVI-XLC-8SCALCDB79VB35KM50	8SCAHSCLPF	400	14	2000	1904	50°	136.02
REVI-XLC-8SCALCDB79VB35KM60	8SCAHSCLPF	400	14	2000	1899	60°	135.61
REVI-XLC-8SCALCDB79VB35KM70	8SCAHSCLPF	400	14	2000	1875	70°	133.93
REVI-XLC-8SCALCDB79VB35KM40	8SCAHSCLPF	500	17	2500	2301	40°	135.38
REVI-XLC-8SCALCDB79VB35KM50	8SCAHSCLPF	500	17	2500	2337	50°	137.48
REVI-XLC-8SCALCDB79VB35KM60	8SCAHSCLPF	500	17	2500	2330	60°	137.06
REVI-XLC-8SCALCDB79VB35KM70	8SCAHSCLPF	500	17	2500	2301	70°	135.37

Scaling factors for other color temperatures: 2700K = 0.92; 3000K = 0.97; 4000K = 1.01; 5000K=1.04

Scaling factor for 90 CRI=0.83 [90 CRI is standard]

Scaling factor for 95+ CRI = 0.68

( Delivered Lumen data continued on next page )

DELIVERED LUMEN FOR HIGH-OUTPUT DRIVER SETTINGS

Data based on fixture with 3500K Color Temperature at listed drive currents powered by REVI-Drive-4-384W.

Fixture	Trim	Current (mA)	Wattage	Rated Lumens	Delivered Lumens	Beam Distribution	LPW
REVI-XLC-8SCALCDB79VB35KM40	8SCAHSCLPF	600*	21	3000	2728	40°	129.89
REVI-XLC-8SCALCDB79VB35KM50	8SCAHSCLPF	600*	21	3000	2770	50°	131.90
REVI-XLC-8SCALCDB79VB35KM60	8SCAHSCLPF	600*	21	3000	2762	60°	131.50
REVI-XLC-8SCALCDB79VB35KM70	8SCAHSCLPF	600*	21	3000	2727	70°	129.87
REVI-XLC-8SCALCDB79VB35KM40	8SCAHSCLPF	700*	25	3500	3154	40°	126.16
REVI-XLC-8SCALCDB79VB35KM50	8SCAHSCLPF	700*	25	3500	3203	50°	128.11
REVI-XLC-8SCALCDB79VB35KM60	8SCAHSCLPF	700*	25	3500	3193	60°	127.72
REVI-XLC-8SCALCDB79VB35KM70	8SCAHSCLPF	700*	25	3500	3154	70°	126.14
REVI-XLC-8SCALCDB79VB35KM40	8SCAHSCLPF	800	29	4000	3580	40°	123.45
REVI-XLC-8SCALCDB79VB35KM50	8SCAHSCLPF	800	29	4000	3636	50°	125.36
REVI-XLC-8SCALCDB79VB35KM60	8SCAHSCLPF	800	29	4000	3625	60°	124.99
REVI-XLC-8SCALCDB79VB35KM70	8SCAHSCLPF	800	29	4000	3580	70°	123.44
REVI-XLC-8SCALCDB79VB35KM40	8SCAHSCLPF	1000	36	5000	4432	40°	123.12
REVI-XLC-8SCALCDB79VB35KM50	8SCAHSCLPF	1000	36	5000	4501	50°	125.03
REVI-XLC-8SCALCDB79VB35KM60	8SCAHSCLPF	1000	36	5000	4488	60°	124.66
REVI-XLC-8SCALCDB79VB35KM70	8SCAHSCLPF	1000	36	5000	4432	70°	123.11
REVI-XLC-8SCALCDB79VB35KM40	8SCAHSCLPF	1200	44	6000	5285	40°	120.11
REVI-XLC-8SCALCDB79VB35KM50	8SCAHSCLPF	1200	44	6000	5367	50°	121.97
REVI-XLC-8SCALCDB79VB35KM60	8SCAHSCLPF	1200	44	6000	5351	60°	121.60
REVI-XLC-8SCALCDB79VB35KM70	8SCAHSCLPF	1200	44	6000	5284	70°	120.10
REVI-XLC-8SCALCDB79VB35KM40	8SCAHSCLPF	1750	65	8000	7331	40°	112.78
REVI-XLC-8SCALCDB79VB35KM50	8SCAHSCLPF	1750	65	8000	7444	50°	114.53
REVI-XLC-8SCALCDB79VB35KM60	8SCAHSCLPF	1750	65	8000	7422	60°	114.18
REVI-XLC-8SCALCDB79VB35KM70	8SCAHSCLPF	1750	65	8000	7330	70°	112.77
REVI-XLC-8SCALCDB79VB35KM40	8SCAHSCLPF	2100	80	10000	8524	40°	106.55
REVI-XLC-8SCALCDB79VB35KM50	8SCAHSCLPF	2100	80	10000	8656	50°	108.20
REVI-XLC-8SCALCDB79VB35KM60	8SCAHSCLPF	2100	80	10000	8630	60°	107.88
REVI-XLC-8SCALCDB79VB35KM70	8SCAHSCLPF	2100	80	10000	8523	70°	106.54

Scaling factors for other color temperatures: 2700K = 0.92; 3000K = 0.97; 4000K = 1.01; 5000K=1.04

Scaling factor for 90 CRI=0.83 [90 CRI is standard]

Scaling factor for 95+ CRI = 0.68

\*Can be driven with REVI-Drive-12-250W - Only 9 fixtures total (3 fixtures per bank of 4 channel outputs)

( Delivered Lumen data continued on next page )

DELIVERED LUMEN DATA

Data based on fixture with 3500K Color Temperature at Specific Drive Currents for L3 Lens

Lumen Level	Fixture	Trim	Lens	Current (mA)	Wattage	Delivered Lumens	Beam Distribution	LPW
REVI-Drive-4-100W REVI-Drive-12-250W	REVI-XLC-8SCALCDB79VB35L	8SCAL3SCLPF	C73 PRISMATIC	200	7	863	56°	123.22
	REVI-XLC-8SCALCDB79VB35L	8SCAL3SCLPF	C73 PRISMATIC	300	10	1098	56°	109.81
	REVI-XLC-8SCALCDB79VB35L	8SCAL3SCLPF	C73 PRISMATIC	350	12	1412	56°	117.63
	REVI-XLC-8SCALCDB79VB35L	8SCAL3SCLPF	C73 PRISMATIC	400	14	1725	56°	123.22
	REVI-XLC-8SCALCDB79VB35L	8SCAL3SCLPF	C73 PRISMATIC	500	17	2117	56°	124.55
REVI-DriveXL-4-384W	REVI-XLC-8SCALCDB79VB35L	8SCAL3SCLPF	C73 PRISMATIC	600*	21	2510	56°	119.51
	REVI-XLC-8SCALCDB79VB35L	8SCAL3SCLPF	C73 PRISMATIC	700*	25	2902	56°	116.08
	REVI-XLC-8SCALCDB79VB35L	8SCAL3SCLPF	C73 PRISMATIC	800	29	3294	56°	113.59
	REVI-XLC-8SCALCDB79VB35L	8SCAL3SCLPF	C73 PRISMATIC	1000	36	4078	56°	113.28
	REVI-XLC-8SCALCDB79VB35L	8SCAL3SCLPF	C73 PRISMATIC	1200	44	4878	56°	110.51
	REVI-XLC-8SCALCDB79VB35L	8SCAL3SCLPF	C73 PRISMATIC	1750	65	6744	56°	103.76
	REVI-XLC-8SCALCDB79VB35L	8SCAL3SCLPF	C73 PRISMATIC	2100	80	7842	56°	98.03

Data based on fixture with 3500K Color Temperature at Specific Drive Currents for L5 Lens

Lumen Level	Fixture	Trim	Lens	Current (mA)	Wattage	Delivered Lumens	Beam Distribution	LPW
REVI-Drive-4-100W REVI-Drive-12-250W	REVI-XLC-8SCALCDB79VB35L	8SCAL5SCLPF	FROSTED GLASS	200	7	781	57°	111.52
	REVI-XLC-8SCALCDB79VB35L	8SCAL5SCLPF	FROSTED GLASS	300	10	994	57°	99.38
	REVI-XLC-8SCALCDB79VB35L	8SCAL5SCLPF	FROSTED GLASS	350	12	1278	57°	106.46
	REVI-XLC-8SCALCDB79VB35L	8SCAL5SCLPF	FROSTED GLASS	400	14	1561	57°	111.52
	REVI-XLC-8SCALCDB79VB35L	8SCAL5SCLPF	FROSTED GLASS	500	17	1916	57°	112.73
REVI-DriveXL-4-384W	REVI-XLC-8SCALCDB79VB35L	8SCAL5SCLPF	FROSTED GLASS	600*	21	2271	57°	108.16
	REVI-XLC-8SCALCDB79VB35L	8SCAL5SCLPF	FROSTED GLASS	700*	25	2626	57°	105.06
	REVI-XLC-8SCALCDB79VB35L	8SCAL5SCLPF	FROSTED GLASS	800	29	2982	57°	102.81
	REVI-XLC-8SCALCDB79VB35L	8SCAL5SCLPF	FROSTED GLASS	1000	36	3691	57°	102.52
	REVI-XLC-8SCALCDB79VB35L	8SCAL5SCLPF	FROSTED GLASS	1200	44	4401	57°	100.02
	REVI-XLC-8SCALCDB79VB35L	8SCAL5SCLPF	FROSTED GLASS	1750	65	6104	57°	93.91
	REVI-XLC-8SCALCDB79VB35L	8SCAL5SCLPF	ROSTED GLASS	2100	80	7098	57°	88.72

Scaling factors for other color temperatures: 2700K = 0.92; 3000K = 0.97; 4000K = 1.01; 5000K=1.04

Scaling factor for 90 CRI=0.83 [90 CRI is standard]

Scaling factor for 95+ CRI = 0.68

\*Can be driven with REVI-Drive-12-250W - Only 9 fixtures total (3 fixtures per bank of 4 channel outputs)

( Delivered Lumen data continued on next page )

## DELIVERED LUMEN DATA

### Data based on fixture with 3500K Color Temperature at Specific Drive Currents for L6 Lens

Lumen Level	Fixture	Trim	Lens	Current (mA)	Wattage	Delivered Lumens	Beam Distribution	LPW
REVI-Drive-4-100W REVI-Drive-12-250W	REVI-XLC-8SCALCDB79VB35L	8SCAL6SCLPF	FROSTED ACRYLIC	200	7	819	56°	116.96
	REVI-XLC-8SCALCDB79VB35L	8SCAL6SCLPF	FROSTED ACRYLIC	300	10	1042	56°	104.23
	REVI-XLC-8SCALCDB79VB35L	8SCAL6SCLPF	FROSTED ACRYLIC	350	12	1340	56°	111.66
	REVI-XLC-8SCALCDB79VB35L	8SCAL6SCLPF	FROSTED ACRYLIC	400	14	1637	56°	116.96
	REVI-XLC-8SCALCDB79VB35L	8SCAL6SCLPF	FROSTED ACRYLIC	500	17	2010	56°	118.22
REVI-DriveXL-4-384W	REVI-XLC-8SCALCDB79VB35L	8SCAL6SCLPF	FROSTED ACRYLIC	600*	21	2382	56°	113.44
	REVI-XLC-8SCALCDB79VB35L	8SCAL6SCLPF	FROSTED ACRYLIC	700*	25	2755	56°	110.18
	REVI-XLC-8SCALCDB79VB35L	8SCAL6SCLPF	FROSTED ACRYLIC	800	29	3127	56°	107.83
	REVI-XLC-8SCALCDB79VB35L	8SCAL6SCLPF	FROSTED ACRYLIC	1000	36	3871	56°	107.52
	REVI-XLC-8SCALCDB79VB35L	8SCAL6SCLPF	FROSTED ACRYLIC	1200	44	4616	56°	104.90
	REVI-XLC-8SCALCDB79VB35L	8SCAL6SCLPF	FROSTED ACRYLIC	1750	65	6402	56°	98.49
	REVI-XLC-8SCALCDB79VB35L	8SCAL6SCLPF	FROSTED ACRYLIC	2100	80	7444	56°	93.05

### Data based on fixture with 3500K Color Temperature at Specific Drive Currents for L7 Lens

Lumen Level	Fixture	Trim	Lens	Current (mA)	Wattage	Delivered Lumens	Beam Distribution	LPW
REVI-Drive-4-100W REVI-Drive-12-250W	REVI-XLC-8SCALCDB79VB35L	8SCAL7SCLPF	SOLITE MICRO-PRISMATIC GLASS	200	7	904	58°	129.20
	REVI-XLC-8SCALCDB79VB35L	8SCAL7SCLPF	SOLITE MICRO-PRISMATIC GLASS	300	10	1151	58°	115.14
	REVI-XLC-8SCALCDB79VB35L	8SCAL7SCLPF	SOLITE MICRO-PRISMATIC GLASS	350	12	1480	58°	123.34
	REVI-XLC-8SCALCDB79VB35L	8SCAL7SCLPF	SOLITE MICRO-PRISMATIC GLASS	400	14	1809	58°	129.20
	REVI-XLC-8SCALCDB79VB35L	8SCAL7SCLPF	SOLITE MICRO-PRISMATIC GLASS	500	17	2220	58°	130.60
REVI-DriveXL-4-384W	REVI-XLC-8SCALCDB79VB35L	8SCAL7SCLPF	SOLITE MICRO-PRISMATIC GLASS	600*	21	2632	58°	125.31
	REVI-XLC-8SCALCDB79VB35L	8SCAL7SCLPF	SOLITE MICRO-PRISMATIC GLASS	700*	25	3043	58°	121.71
	REVI-XLC-8SCALCDB79VB35L	8SCAL7SCLPF	SOLITE MICRO-PRISMATIC GLASS	800	29	3454	58°	119.11
	REVI-XLC-8SCALCDB79VB35L	8SCAL7SCLPF	SOLITE MICRO-PRISMATIC GLASS	1000	36	4276	58°	118.78
	REVI-XLC-8SCALCDB79VB35L	8SCAL7SCLPF	SOLITE MICRO-PRISMATIC GLASS	1200	44	5099	58°	115.88
	REVI-XLC-8SCALCDB79VB35L	8SCAL7SCLPF	SOLITE MICRO-PRISMATIC GLASS	1750	65	7072	58°	108.80
	REVI-XLC-8SCALCDB79VB35L	8SCAL7SCLPF	SOLITE MICRO-PRISMATIC GLASS	2100	80	8223	58°	102.79

Scaling factors for other color temperatures: 2700K = 0.92; 3000K = 0.97; 4000K = 1.01; 5000K=1.04

Scaling factor for 90 CRI=0.83 [90 CRI is standard]

Scaling factor for 95+ CRI = 0.68

\*Can be driven with REVI-Drive-12-250W - Only 9 fixtures total (3 fixtures per bank of 4 channel outputs)

( Delivered Lumen data continued on next page )

DELIVERED LUMEN DATA

Data based on fixture with 3500K Color Temperature at Specific Drive Currents for L8 Lens

Lumen Level	Fixture	Trim	Lens	Current (mA)	Wattage	Delivered Lumens	Beam Distribution	LPW
REVI-Drive-4-100W REVI-Drive-12-250W	REVI-XLC-8SCALCDB79VB35L	8SCAL8SCLPF	CLEAR POLY CARBONATE	200	7	884	55°	126.34
	REVI-XLC-8SCALCDB79VB35L	8SCAL8SCLPF	CLEAR POLY CARBONATE	300	10	1126	55°	112.59
	REVI-XLC-8SCALCDB79VB35L	8SCAL8SCLPF	CLEAR POLY CARBONATE	350	12	1447	55°	120.62
	REVI-XLC-8SCALCDB79VB35L	8SCAL8SCLPF	CLEAR POLY CARBONATE	400	14	1769	55°	126.34
	REVI-XLC-8SCALCDB79VB35L	8SCAL8SCLPF	CLEAR POLY CARBONATE	500	17	2171	55°	127.71
REVI-DriveXL-4-384W	REVI-XLC-8SCALCDB79VB35L	8SCAL8SCLPF	CLEAR POLY CARBONATE	600*	21	2573	55°	122.54
	REVI-XLC-8SCALCDB79VB35L	8SCAL8SCLPF	CLEAR POLY CARBONATE	700*	25	2976	55°	119.02
	REVI-XLC-8SCALCDB79VB35L	8SCAL8SCLPF	CLEAR POLY CARBONATE	800	29	3378	55°	116.48
	REVI-XLC-8SCALCDB79VB35L	8SCAL8SCLPF	CLEAR POLY CARBONATE	1000	36	4181	55°	116.15
	REVI-XLC-8SCALCDB79VB35L	8SCAL8SCLPF	CLEAR POLY CARBONATE	1200	44	4986	55°	113.32
	REVI-XLC-8SCALCDB79VB35L	8SCAL8SCLPF	CLEAR POLY CARBONATE	1750	65	6915	55°	106.39
	REVI-XLC-8SCALCDB79VB35L	8SCAL8SCLPF	CLEAR POLY CARBONATE	2100	80	8041	55°	100.52

Data based on fixture with 3500K Color Temperature at Specific Drive Currents for L9 Lens

Lumen Level	Fixture	Trim	Lens	Current (mA)	Wattage	Delivered Lumens	Beam Distribution	LPW
REVI-Drive-4-100W REVI-Drive-12-250W	REVI-XLC-8SCALCDB79VB35L	8SCAL9SCLPF	CLEAR TEMPERED GLASS	200	7	886	55°	126.62
	REVI-XLC-8SCALCDB79VB35L	8SCAL9SCLPF	CLEAR TEMPERED GLASS	300	10	1128	55°	112.84
	REVI-XLC-8SCALCDB79VB35L	8SCAL9SCLPF	CLEAR TEMPERED GLASS	350	12	1450	55°	120.87
	REVI-XLC-8SCALCDB79VB35L	8SCAL9SCLPF	CLEAR TEMPERED GLASS	400	14	1773	55°	1226.62
	REVI-XLC-8SCALCDB79VB35L	8SCAL9SCLPF	CLEAR TEMPERED GLASS	500	17	2176	55°	127.99
REVI-DriveXL-4-384W	REVI-XLC-8SCALCDB79VB35L	8SCAL9SCLPF	CLEAR TEMPERED GLASS	600*	21	2579	55°	122.80
	REVI-XLC-8SCALCDB79VB35L	8SCAL9SCLPF	CLEAR TEMPERED GLASS	700*	25	2982	55°	119.28
	REVI-XLC-8SCALCDB79VB35L	8SCAL9SCLPF	CLEAR TEMPERED GLASS	800	29	3385	55°	116.73
	REVI-XLC-8SCALCDB79VB35L	8SCAL9SCLPF	CLEAR TEMPERED GLASS	1000	36	4190	55°	116.40
	REVI-XLC-8SCALCDB79VB35L	8SCAL9SCLPF	CLEAR TEMPERED GLASS	1200	44	4997	55°	113.56
	REVI-XLC-8SCALCDB79VB35L	8SCAL9SCLPF	CLEAR TEMPERED GLASS	1750	65	6930	55°	106.62
	REVI-XLC-8SCALCDB79VB35L	8SCAL9SCLPF	CLEAR TEMPERED GLASS	2100	80	8059	55°	100.73

Scaling factors for other color temperatures: 2700K = 0.92; 3000K = 0.97; 4000K = 1.01; 5000K=1.04

Scaling factor for 90 CRI=0.83 [90 CRI is standard]

Scaling factor for 95+ CRI = 0.68

\*Can be driven with REVI-Drive-12-250W - Only 9 fixtures total (3 fixtures per bank of 4 channel outputs)

( Delivered Lumen data continued on next page )



## DELIVERED LUMEN DATA

Data based on fixture with 3500K Color Temperature at Specific Drive Currents for LW6 Lens

Lumen Level	Fixture	Trim	Lens	Current (mA)	Wattage	Delivered Lumens	Beam Distribution	LPW
REVI-Drive-4-100W REVI-Drive-12-250W	REVI-XLC-8SCALCDB79VB35L	8SCALW6SCLPF	LINEAR SPREAD LENS	200	7	828	50°H X 70°V	118.32
	REVI-XLC-8SCALCDB79VB35L	8SCALW6SCLPF	LINEAR SPREAD LENS	300	10	1054	50°H X 70°V	105.44
	REVI-XLC-8SCALCDB79VB35L	8SCALW6SCLPF	LINEAR SPREAD LENS	350	12	1355	50°H X 70°V	112.96
	REVI-XLC-8SCALCDB79VB35L	8SCALW6SCLPF	LINEAR SPREAD LENS	400	14	1656	50°H X 70°V	118.32
	REVI-XLC-8SCALCDB79VB35L	8SCALW6SCLPF	LINEAR SPREAD LENS	500	17	2033	50°H X 70°V	119.60
REVI-DriveXL-4-384W	REVI-XLC-8SCALCDB79VB35L	8SCALW6SCLPF	LINEAR SPREAD LENS	600*	21	2410	50°H X 70°V	114.76
	REVI-XLC-8SCALCDB79VB35L	8SCALW6SCLPF	LINEAR SPREAD LENS	700*	25	2887	50°H X 70°V	111.46
	REVI-XLC-8SCALCDB79VB35L	8SCALW6SCLPF	LINEAR SPREAD LENS	800	29	3163	50°H X 70°V	109.08
	REVI-XLC-8SCALCDB79VB35L	8SCALW6SCLPF	LINEAR SPREAD LENS	1000	36	3916	50°H X 70°V	108.77
	REVI-XLC-8SCALCDB79VB35L	8SCALW6SCLPF	LINEAR SPREAD LENS	1200	44	4669	50°H X 70°V	106.12
	REVI-XLC-8SCALCDB79VB35L	8SCALW6SCLPF	LINEAR SPREAD LENS	1750	65	6476	50°H X 70°V	99.64
	REVI-XLC-8SCALCDB79VB35L	8SCALW6SCLPF	LINEAR SPREAD LENS	2100	80	7531	50°H X 70°V	94.13

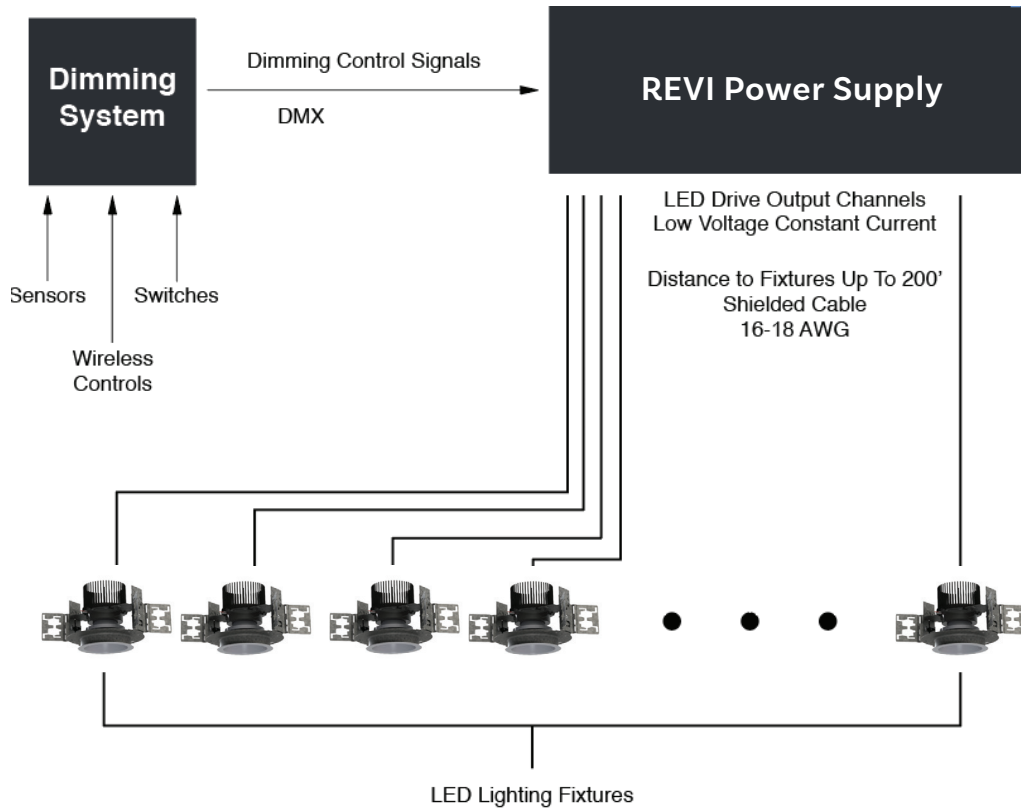
Scaling factors for other color temperatures: 2700K = 0.92; 3000K = 0.97; 4000K = 1.01; 5000K=1.04

Scaling factor for 90 CRI=0.83 [90 CRI is standard]

Scaling factor for 95+ CRI = 0.68

\*Can be driven with REVI-Drive-12-250W - Only 9 fixtures total (3 fixtures per bank of 4 channel outputs)

## Typical Layout for Low Voltage LED Lighting Fixtures with Remote Driver Platform



OPTIONS AND ACCESSORIES

REFLECTOR FINISHES



Clear  
Soft Specular "SCL"



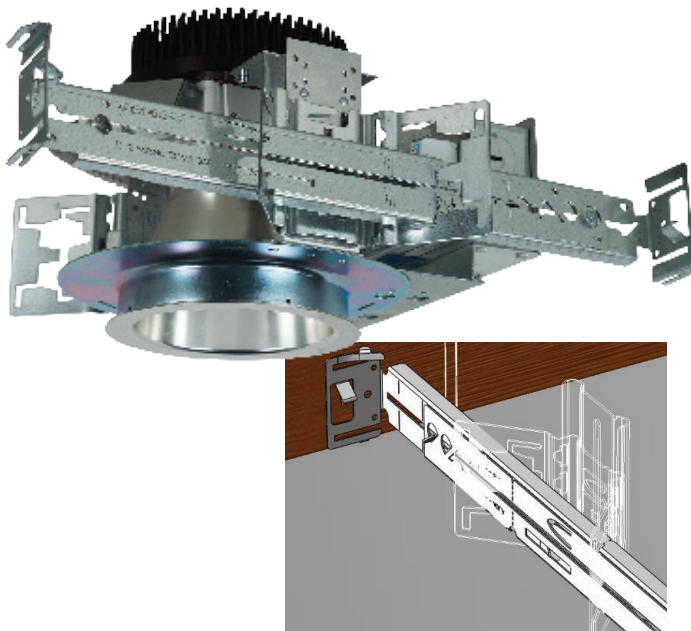
Haze  
Diffused "HAZ"

Our standard reflector finish is soft Haze Diffused (HAZ) with a polished self-flange (PF). These are offered in both a soft specular and a diffused/matte finish. Specified suffix of desired finish.

Example: 4VLEDSCLPF

For white painted flange omit PF.

STANDARD HANGER BARS



Interlocking L-Bar hanger bars are now standard with this lighting fixture. Installer friendly features include:

- L-Bars are fabricated from identical L-shaped cross sections that form a sturdy 1/2" by 1-1/2" C-channel profile for superior rigidity.
- Pre-marked with spacing locations for 24" T-bar; 16" and 24" joist ceilings (wood and metal)
- Extension locks with an easy-to-use integral twist tab. No separate fastener.
- Interlocking and expandable to 24". Can be increased to 36" or 48" with the use of additional bars. For more details, please contact your sales engineer.
- Allows for offset mounting.
- Integral and barbed nail spike for wood joist ceilings.
- Fits into the C-channel notches on our butterfly mounting bracket.