

REVI XLC 4-inch Round Lensed Downlight

REVI-XLC-4LCDB79VBC9-X-X-L-WC, 4PLED-X-X

PRODUCT DESCRIPTION

Low voltage LED lighting fixtures using REVI remote driver platforms are ideally suited to improve LED illumination and reliability. Remote driver platforms are useful in difficult-to-access ceilings or where architectural features. The REVI XLC downlight fixtures allow lighting designers and integrators to select from color rendering index, correlated color temperature, lens, flange and finishes to configure a comprehensive lighting solution.

Ideal Application: House of Worship, Auditoriums, Gymnasiums and pendants up to 6,887 lumens.

SYSTEM FEATURES

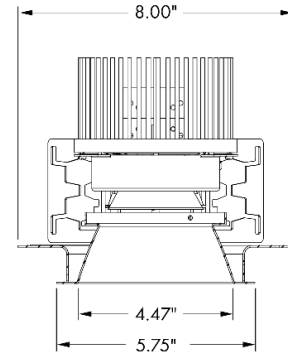
- Heavy-gauge galvanized steel housing provides a secure mounting platform for the electrical components and protects the optical assembly.
- Vertically adjustable mounting brackets accept expandable hanger bars which are included.

TECHNICAL DATA

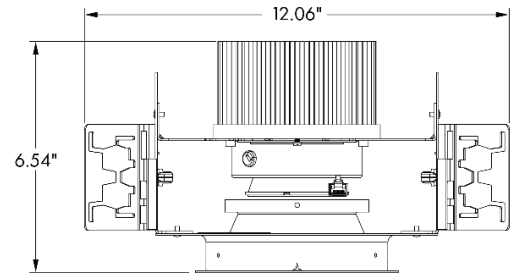
- All power leads include WAGO™ connectors for fast power connection
- Thermally protected
- See table for wattages and delivered lumens at various drive currents
- Expected lamp life to be 50,000 hours with 70% lumen maintenance when ambient temperature do not exceed 45°C. Lower ambient temperatures yield longer lamp life.
- CRI 90+ is standard for fixtures. CRI 95+ option is available. Maximum current on CRI 95+ fixtures is 1200mA.

REMOTE DRIVER OPTIONS

The REVI system features a remote panel that operates multiple lighting fixtures. These remote power supplies can be installed in an easy-to-access area such as a utility closet. Benefits include longer driver life due to reduced exposure to the heat of the LED engine and emergency (EM) options. Low-voltage class-2 wiring between driver panel and lighting fixture. No conduit required.



Rough Opening: 5.13"



5 Year
Warranty



ASSEMBLY BUILDER

REVI-XLC-4LCDB79VB

Fixture Catalog Number

Example: REVI-XLC-4LCDB79VBT-5K-L-WC = 5000K Color Temperature with 95+ CRI

REVI-XLC-4LCDB79VB			L	WC
Fixture Series	Color Rendering Index	Color Temperature	Lensed	WAGO™ Connector
	C9 = 90+*	5K = 5000K		
	T = 95+*	4K = 4000K		
		35K = 3500K		
		3K = 3000K		
		27K = 2700K		

*By default, all fixtures come with 90 CRI unless otherwise indicated. For 95+ CRI, replace "C9" with T - Example: REVI-XLC-4LCDB79VBC9-5K-N-WC > **REVI-XLC-4LCDB79VBT-5K-N-WC**

4PLED

Flange Catalog Number

Example: 4PLED-L3-HAZ = Prismatic Glass Lens, Haze Alzak Reflector w/ Matte White Flange

4PLED		
Trim Series	Lens	Flange
L3 = Prismatic Glass Lens**		SCLPF = Soft Spec Clear Reflector w/ Polished Flange***
L5 = Frosted Glass Lens**		SCL = Soft Spec Clear Reflector w/ Matte White Flange***
L6 = Frosted Acrylic Lens**		HAZPF = Haze Alzak Reflector w/ Polished Flange***
L7= Solite Micro-Prismatic Glass Lens**		HAZ = Haze Alzak Reflector w/ Matte White Flange***
L8 = Clear Poly Carbonate Lens**		MWH = Matte White Reflector w/ Matte White Flange***
L9 = Clear Tempered Glass Lens**		WL = Wet Location

** Lumen output and beam spreads will vary upon lens.

*** By default, all fixtures come with SCLPF (Soft Spec Clear Reflector w/ Polished Flange) unless otherwise indicated. All flange options are damp rated unless the WL (Wet Location) option is chosen.

DELIVERED LUMEN DATA

Data based on fixture with 3500K Color Temperature at Specific Drive Currents for L3 Lens

Lumen Level	Fixture	Trim	Lens	Current (mA)	Wattage	Delivered Lumens	Beam Distribution	LPW
REVI-Drive-4-100W REVI-Drive-12-250W	REVI-XLC-4LCDB79VB35KL	4PLEDL3SCLPF	C73 PRISMATIC	200	7	722	42°	103.14
	REVI-XLC-4LCDB79VB35KL	4PLEDL3SCLPF	C73 PRISMATIC	300	10	920	42°	91.95
	REVI-XLC-4LCDB79VB35KL	4PLEDL3SCLPF	C73 PRISMATIC	350	12	1182	42°	98.52
	REVI-XLC-4LCDB79VB35KL	4PLEDL3SCLPF	C73 PRISMATIC	400	14	1445	42°	103.21
	REVI-XLC-4LCDB79VB35KL	4PLEDL3SCLPF	C73 PRISMATIC	500	17	1773	42°	104.32
REVI-DriveXL-4-384W	REVI-XLC-4LCDB79VB35KL	4PLEDL3SCLPF	C73 PRISMATIC	600*	21	2102	42°	100.10
	REVI-XLC-4LCDB79VB35KL	4PLEDL3SCLPF	C73 PRISMATIC	800	29	2759	42°	95.14
	REVI-XLC-4LCDB79VB35KL	4PLEDL3SCLPF	C73 PRISMATIC	1000	36	3415	42°	94.86
	REVI-XLC-4LCDB79VB35KL	4PLEDL3SCLPF	C73 PRISMATIC	1200	44	4072	42°	92.55
	REVI-XLC-4LCDB79VB35KL	4PLEDL3SCLPF	C73 PRISMATIC	1750	65	5648	42°	86.89
	REVI-XLC-4LCDB79VB35KL	4PLEDL3SCLPF	C73 PRISMATIC	2100	80	6568	42°	82.10

Data based on fixture with 3500K Color Temperature at Specific Drive Currents for L5 Lens

Lumen Level	Fixture	Trim	Lens	Current (mA)	Wattage	Delivered Lumens	Beam Distribution	LPW
REVI-Drive-4-100W REVI-Drive-12-250W	REVI-XLC-4LCDB79VB35KL	4PLEDL5SCLPF	FROSTED GLASS	200	7	654	44°	93.43
	REVI-XLC-4LCDB79VB35KL	4PLEDL5SCLPF	FROSTED GLASS	300	10	832	44°	83.22
	REVI-XLC-4LCDB79VB35KL	4PLEDL5SCLPF	FROSTED GLASS	350	12	1070	44°	89.16
	REVI-XLC-4LCDB79VB35KL	4PLEDL5SCLPF	FROSTED GLASS	400	14	1308	44°	93.43
	REVI-XLC-4LCDB79VB35KL	4PLEDL5SCLPF	FROSTED GLASS	500	17	1605	44°	94.40
REVI-DriveXL-4-384W	REVI-XLC-4LCDB79VB35KL	4PLEDL5SCLPF	FROSTED GLASS	600*	21	1902	44°	90.57
	REVI-XLC-4LCDB79VB35KL	4PLEDL5SCLPF	FROSTED GLASS	800	29	2497	44°	86.10
	REVI-XLC-4LCDB79VB35KL	4PLEDL5SCLPF	FROSTED GLASS	1000	36	3091	44°	85.86
	REVI-XLC-4LCDB79VB35KL	4PLEDL5SCLPF	FROSTED GLASS	1200	44	3685	44°	83.75
	REVI-XLC-4LCDB79VB35KL	4PLEDL5SCLPF	FROSTED GLASS	1750	65	5112	44°	78.65
	REVI-XLC-4LCDB79VB35KL	4PLEDL5SCLPF	FROSTED GLASS	2100	80	5944	44°	74.30

Data based on fixture with 3500K Color Temperature at Specific Drive Currents for L6 Lens

Lumen Level	Fixture	Trim	Lens	Current (mA)	Wattage	Delivered Lumens	Beam Distribution	LPW
REVI-Drive-4-100W REVI-Drive-12-250W	REVI-XLC-4LCDB79VB35KL	4PLEDL6SCLPF	FROSTED ACRYLIC	200	7	685	54°	97.86
	REVI-XLC-4LCDB79VB35KL	4PLEDL6SCLPF	FROSTED ACRYLIC	300	10	873	54°	87.28
	REVI-XLC-4LCDB79VB35KL	4PLEDL6SCLPF	FROSTED ACRYLIC	350	12	1122	54°	93.51
	REVI-XLC-4LCDB79VB35KL	4PLEDL6SCLPF	FROSTED ACRYLIC	400	14	1372	54°	98.00
	REVI-XLC-4LCDB79VB35KL	4PLEDL6SCLPF	FROSTED ACRYLIC	500	17	1995	54°	117.35
REVI-DriveXL-4-384W	REVI-XLC-4LCDB79VB35KL	4PLEDL6SCLPF	FROSTED ACRYLIC	600*	21	2619	54°	124.71
	REVI-XLC-4LCDB79VB35KL	4PLEDL6SCLPF	FROSTED ACRYLIC	800	29	3241	54°	111.76
	REVI-XLC-4LCDB79VB35KL	4PLEDL6SCLPF	FROSTED ACRYLIC	1000	36	3865	54°	107.36
	REVI-XLC-4LCDB79VB35KL	4PLEDL6SCLPF	FROSTED ACRYLIC	1200	44	3685	54°	83.75
	REVI-XLC-4LCDB79VB35KL	4PLEDL6SCLPF	FROSTED ACRYLIC	1750	65	5361	54°	82.48
	REVI-XLC-4LCDB79VB35KL	4PLEDL6SCLPF	FROSTED ACRYLIC	2100	80	6234	54°	77.93

Scaling factors for other color temperatures: 2700K = 0.92; 3000K = 0.97; 4000K = 1.01; 5000K=1.04

Scaling factor for 90 CRI=0.83 [90 CRI is standard]

Scaling factor for 95+ CRI = 0.68

*Can be driven with REVI-Drive-12-250W - Only 9 fixtures total (3 fixtures per bank of 4 channel outputs)

(Delivered Lumen data continued on next page)

For More Information

888.880.1880

ContactUs@EnvironmentalLights.com

©2023 Environmental Lights. All rights reserved.

DELIVERED LUMEN DATA

Data based on fixture with 3500K Color Temperature at Specific Drive Currents for L7 Lens

Lumen Level	Fixture	Trim	Lens	Current (mA)	Wattage	Delivered Lumens	Beam Distribution	LPW
REVI-Drive-4-100W REVI-Drive-12-250W	REVI-XLC-4LCDB79VB35KL	4PLEDL7SCLPF	SOLITE MICRO-PRISMATIC GLASS	200	7	757	38°	108.14
	REVI-XLC-4LCDB79VB35KL	4PLEDL7SCLPF	SOLITE MICRO-PRISMATIC GLASS	300	10	964	38°	96.42
	REVI-XLC-4LCDB79VB35KL	4PLEDL7SCLPF	SOLITE MICRO-PRISMATIC GLASS	350	12	1240	38°	103.31
	REVI-XLC-4LCDB79VB35KL	4PLEDL7SCLPF	SOLITE MICRO-PRISMATIC GLASS	400	14	1515	38°	108.21
	REVI-XLC-4LCDB79VB35KL	4PLEDL7SCLPF	SOLITE MICRO-PRISMATIC GLASS	500	17	1859	38°	109.38
REVI-DriveXL-4-384W	REVI-XLC-4LCDB79VB35KL	4PLEDL7SCLPF	SOLITE MICRO-PRISMATIC GLASS	600*	21	2204	38°	104.95
	REVI-XLC-4LCDB79VB35KL	4PLEDL7SCLPF	SOLITE MICRO-PRISMATIC GLASS	800	29	2893	38°	99.76
	REVI-XLC-4LCDB79VB35KL	4PLEDL7SCLPF	SOLITE MICRO-PRISMATIC GLASS	1000	36	3581	38°	99.47
	REVI-XLC-4LCDB79VB35KL	4PLEDL7SCLPF	SOLITE MICRO-PRISMATIC GLASS	1200	44	4269	38°	97.02
	REVI-XLC-4LCDB79VB35KL	4PLEDL7SCLPF	SOLITE MICRO-PRISMATIC GLASS	1750	65	5922	38°	91.11
	REVI-XLC-4LCDB79VB35KL	4PLEDL7SCLPF	SOLITE MICRO-PRISMATIC GLASS	2100	80	6887	38°	86.09

Data based on fixture with 3500K Color Temperature at Specific Drive Currents L8 Lens

Lumen Level	Fixture	Trim	Lens	Current (mA)	Wattage	Delivered Lumens	Beam Distribution	LPW
REVI-Drive-4-100W REVI-Drive-12-250W	REVI-XLC-4LCDB79VB35KL	4PLEDL8SCLPF	CLEAR POLY CARBONATE	200	7	740	40°	105.71
	REVI-XLC-4LCDB79VB35KL	4PLEDL8SCLPF	CLEAR POLY CARBONATE	300	10	943	40°	94.28
	REVI-XLC-4LCDB79VB35KL	4PLEDL8SCLPF	CLEAR POLY CARBONATE	350	12	1212	40°	101.01
	REVI-XLC-4LCDB79VB35KL	4PLEDL8SCLPF	CLEAR POLY CARBONATE	400	14	1482	40°	105.86
	REVI-XLC-4LCDB79VB35KL	4PLEDL8SCLPF	CLEAR POLY CARBONATE	500	17	1818	40°	106.95
REVI-DriveXL-4-384W	REVI-XLC-4LCDB79VB35KL	4PLEDL8SCLPF	CLEAR POLY CARBONATE	600*	21	2155	40°	102.62
	REVI-XLC-4LCDB79VB35KL	4PLEDL8SCLPF	CLEAR POLY CARBONATE	800	29	2829	40°	97.55
	REVI-XLC-4LCDB79VB35KL	4PLEDL8SCLPF	CLEAR POLY CARBONATE	1000	36	3501	40°	97.25
	REVI-XLC-4LCDB79VB35KL	4PLEDL8SCLPF	CLEAR POLY CARBONATE	1200	44	4175	40°	94.89
	REVI-XLC-4LCDB79VB35KL	4PLEDL8SCLPF	CLEAR POLY CARBONATE	1750	65	5791	40°	89.09
	REVI-XLC-4LCDB79VB35KL	4PLEDL8SCLPF	CLEAR POLY CARBONATE	2100	80	6734	40°	84.18

Data based on fixture with 3500K Color Temperature at Specific Drive Currents for L9 Lens

Lumen Level	Fixture	Trim	Lens	Current (mA)	Wattage	Delivered Lumens	Beam Distribution	LPW
REVI-Drive-4-100W REVI-Drive-12-250W	REVI-XLC-4LCDB79VB35KL	4PLEDL9SCLPF	CLEAR TEMPERED GLASS	200	7	743	40°	106.14
	REVI-XLC-4LCDB79VB35KL	4PLEDL9SCLPF	CLEAR TEMPERED GLASS	300	10	943	40°	94.33
	REVI-XLC-4LCDB79VB35KL	4PLEDL9SCLPF	CLEAR TEMPERED GLASS	350	12	1213	40°	101.07
	REVI-XLC-4LCDB79VB35KL	4PLEDL9SCLPF	CLEAR TEMPERED GLASS	400	14	1486	40°	106.14
	REVI-XLC-4LCDB79VB35KL	4PLEDL9SCLPF	CLEAR TEMPERED GLASS	500	17	1819	40°	107.02
REVI-DriveXL-4-384W	REVI-XLC-4LCDB79VB35KL	4PLEDL9SCLPF	CLEAR TEMPERED GLASS	600*	21	2160	40°	102.86
	REVI-XLC-4LCDB79VB35KL	4PLEDL9SCLPF	CLEAR TEMPERED GLASS	800	29	2896	40°	99.86
	REVI-XLC-4LCDB79VB35KL	4PLEDL9SCLPF	CLEAR TEMPERED GLASS	1000	36	3505	40°	97.36
	REVI-XLC-4LCDB79VB35KL	4PLEDL9SCLPF	CLEAR TEMPERED GLASS	1200	44	4179	40°	94.98
	REVI-XLC-4LCDB79VB35KL	4PLEDL9SCLPF	CLEAR TEMPERED GLASS	1750	65	5795	40°	89.15
	REVI-XLC-4LCDB79VB35KL	4PLEDL9SCLPF	CLEAR TEMPERED GLASS	2100	80	6738	40°	84.23

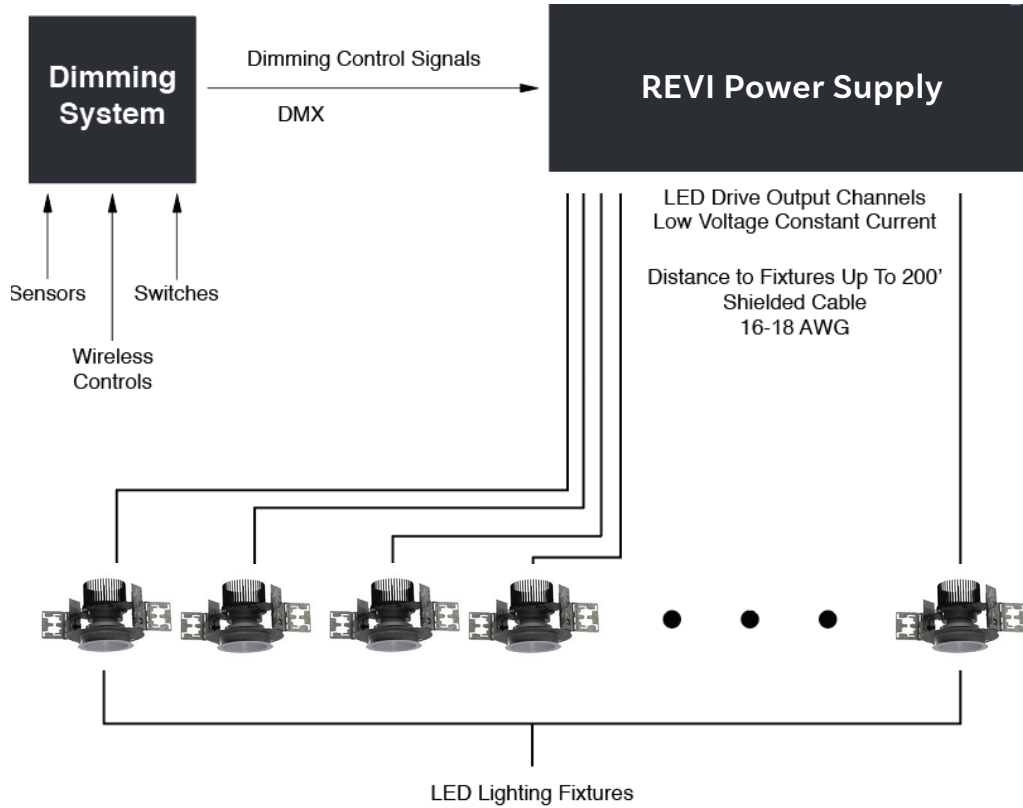
Scaling factors for other color temperatures: 2700K = 0.92; 3000K = 0.97; 4000K = 1.01; 5000K=1.04

Scaling factor for 90 CRI=0.83 [90 CRI is standard]

Scaling factor for 95+ CRI = 0.68

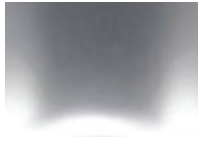
*Can be driven with REVI-Drive-12-250W - Only 9 fixtures total (3 fixtures per bank of 4 channel outputs)

Typical Layout for Low Voltage LED Lighting Fixtures with Remote Driver Platform

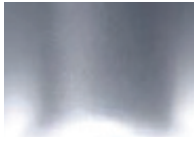


OPTIONS AND ACCESSORIES

REFLECTOR FINISHES



Clear
Soft Specular "SCL"



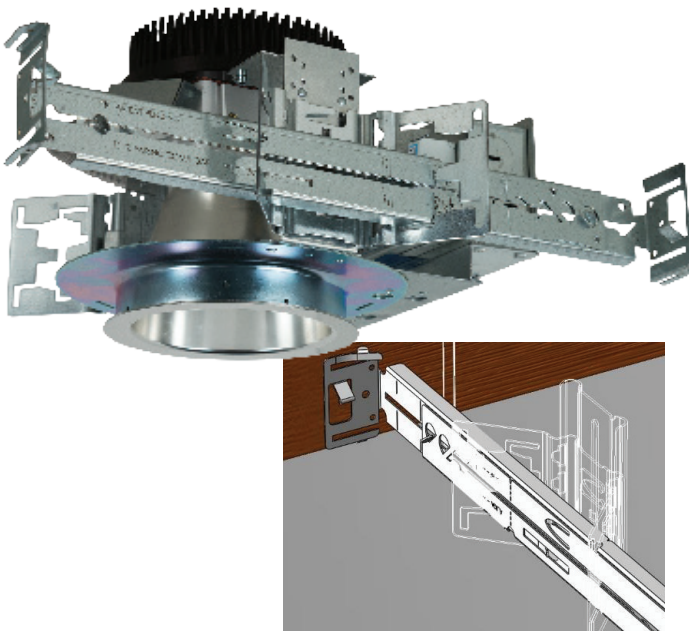
Haze
Diffused "HAZ"

Our standard reflector finish is soft Haze Diffused (HAZ) with a polished self-flange (PF). These are offered in both a soft specular and a diffused/matte finish. Specified suffix of desired finish.

Example: 4VLEDSCLPF

For white painted flange omit PF.

STANDARD HANGER BARS



Interlocking L-Bar hanger bars are now standard with this lighting fixture. Installer friendly features include:

- L-Bars are fabricated from identical L-shaped cross sections that form a sturdy 1/2" by 1-1/2" C-channel profile for superior rigidity.
- Pre-marked with spacing locations for 24" T-bar; 16" and 24" joist ceilings (wood and metal)
- Extension locks with an easy-to-use integral twist tab. No separate fastener.
- Interlocking and expandable to 24". Can be increased to 36" or 48" with the use of additional bars. For more details, please contact your sales engineer.
- Allows for offset mounting.
- Integral and barbed nail spike for wood joist ceilings.
- Fits into the C-channel notches on our butterfly mounting bracket.