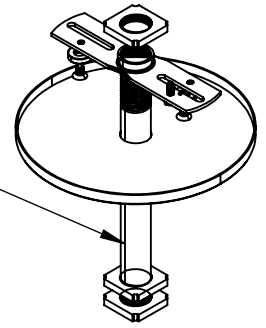
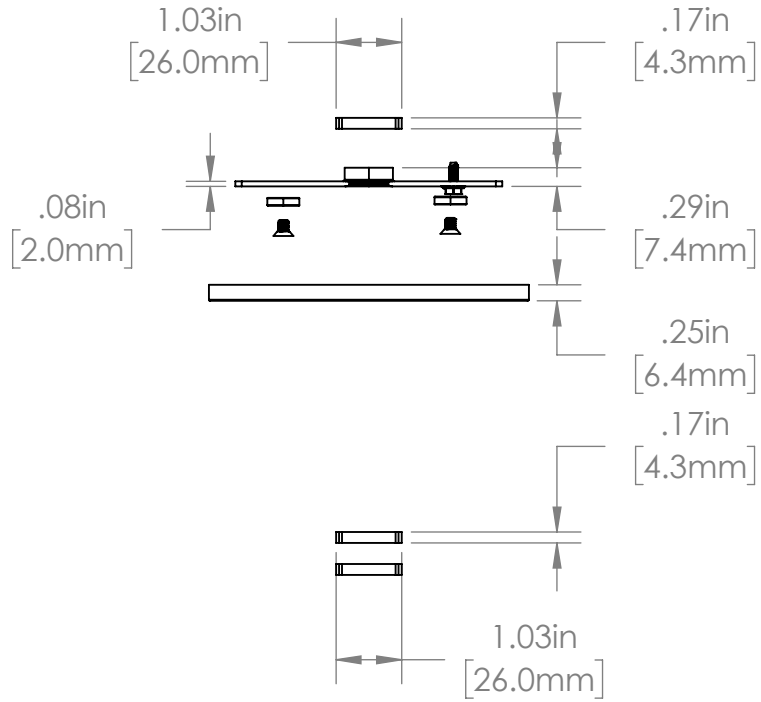



ISO
SCALE 1 : 2



REVI-XL-M-stem-Xin-38ips
(NOT INCLUDED)

ASSEMBLY EXAMPLE WITH STEM
SCALE 1 : 4

| REVI SPECIFICATIONS | | TOLERANCES | | PROPRIETARY AND CONFIDENTIAL | | NAME | DATE |
|---------------------------|--|-------------------------|---|--|--|---|---------|
| COMPATIBLE STOCK STEMS | REVI-XL-M-stem-Xin-38ips | STRIP LENGTH: | +1.5MM, -1.5MM PER 1/2M OR +0.3%,-0.3% | THE INFORMATION CONTAINED IN THIS DRAWING IS THE SOLE PROPERTY OF ENVIRONMENTAL LIGHTS. ANY REPRODUCTION IN PART OR AS A WHOLE WITHOUT THE WRITTEN PERMISSION OF ENVIRONMENTAL LIGHTS IS PROHIBITED. | | DRAWN BY | L. WONG |
| COMPATIBLE JUNCTION BOXES | 4" OCTAGONAL BOX WITH 3.5" C TO 8/32" C SCREWS | CHANNEL LENGTH: | +6.5MM, -3.0MM | | | COMMENTS: | |
| | | CHANNEL HEIGHT & WIDTH: | +1.0MM, -1.0MM | | | REVI-XL-M-stem-Xin-38ips (NOT INCLUDED) | |
| | | LEAD LENGTHS: | +102MM, -6.5MM | | | | |
| | | JUMPER LENGTHS: | +13MM, -0.0MM | | | | |
| | | POWER CONSUMPTION: | +5%, -20% | | | | |
| | | CRI: | +5%, -0% | | | | |
| | | LED CCT: | ADHERENT TO ANSI STANDARDS | | | | |
| | | | | | |  | |
| | | | | | | EL PART NO. REVI-XL-M-canopy-fixed-38ips-B | |
| | | | | | | SCALE: 1:3 | WEIGHT: |
| | | | | | | SHEET 1 OF 1 | |
| | | | | | | REV A1 | |