

REVI SL 4-inch Downlight

Monochrome

SYSTEM DESCRIPTION

The REVI-SL4-18V 4-inch Downlight is a low-profile downlighting solution meant to be used in conjunction with our REVI Power Supplies. They are optimized for use in secondary rooms such as closets, laundry rooms, and other utility spaces.

Each fixture produces up to 1150 lumens while boasting a CRI of 90+. The slim bezel establishes a modern look that provides high quality illumination without disrupting the room.

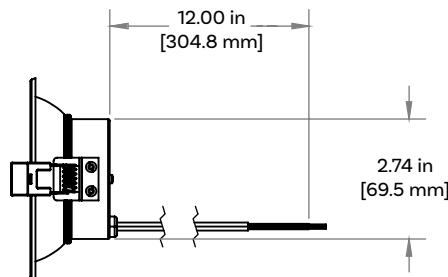
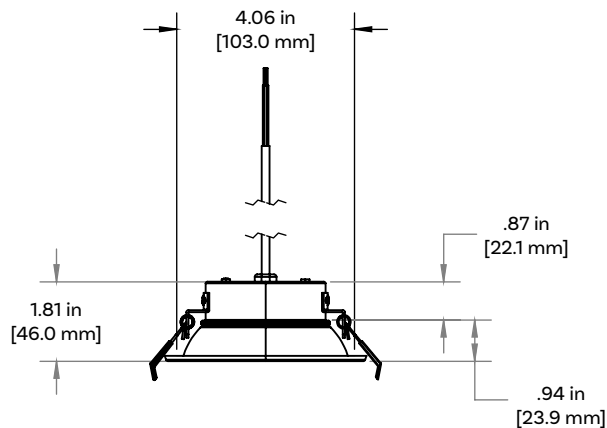
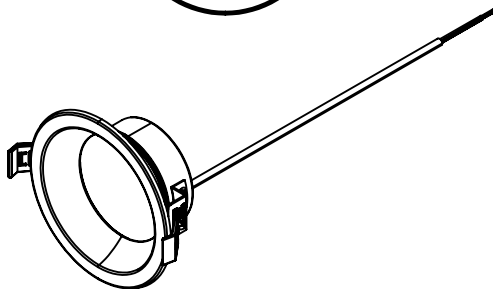
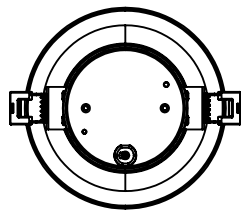
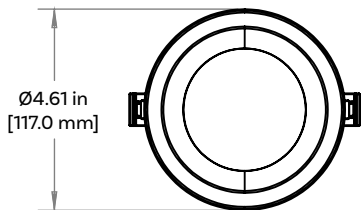
Ideal Application: REVI SL Downlights are ideal for secondary rooms such as closets, laundry rooms, and other utility spaces. They are intended to be used in conjunction with REVI Power Supplies.

TECHNICAL SPECIFICATIONS

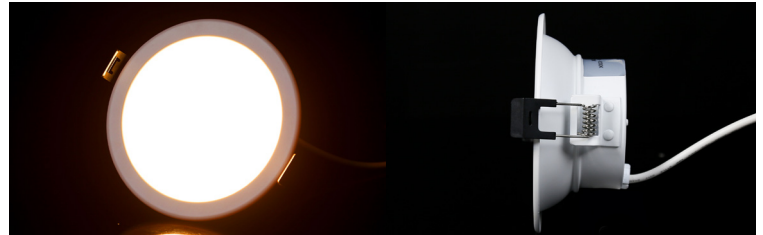
Light Engine	REVI-SL4-18V-27K	REVI-SL4-18V-30K
Brightness	1100 lumens	1150 lumens
Drive Current	500 mA	500 mA
Forward Voltage	18 Vdc	18 Vdc
Power Draw	9 Watts	9 Watts
Color Rendering Index	90+	90+
Linkable Fixtures per Class 2 Channel	2	2

MECHANICAL SPECIFICATIONS

NOTE: MOUNTING HOLE DIAMETER 4.06-4.17in (103-106mm)



REVI Downlighting Installation



KEY FEATURES

- Produces up to 1150 lumens
- CRI 90+
- 2700K & 3000K CCT available
- 4-inch fixture
- Low profile
- Two SL4 fixtures can be powered by a single REVI-DRIVE channel
- Narrow trim to match appearance of REVI 3-inch downlights
- Wet Location Rated