

# REVI

Low Voltage Lighting System

*Purist*™

## 2" | Standard LED

Our 2" Purist™ downlights combine superior performance and low glare in a timeless design. They represent incredible value, pure and simple.

### FIXED TRIMS



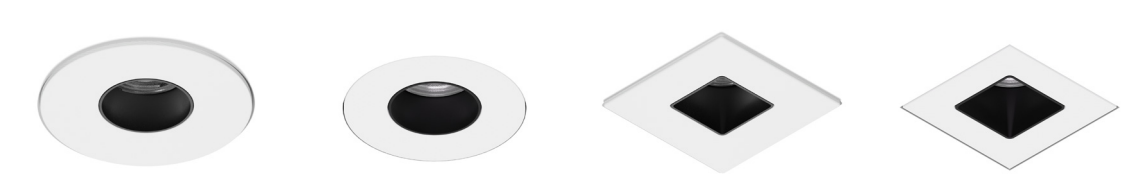
### ADJUSTABLE TRIMS



### WALL WASH TRIMS



### PINHOLE TRIMS



### MULTIPLES



# PURIST

## 2" | Standard LED

### LISTINGS



Damp  
Location



Wet  
Location



California  
Title 24 JA8

### CERTIFICATIONS



Intertek

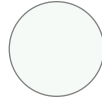


5yr. Warranty

### FEATURES

- (Ø) 2" [51mm] Aperture
- (Ø) 1.25" [32mm] Pinhole Aperture
- Damp location listed, select wet location options
- 25° Tilt with Adjustable trim types
- Ideal spacing 24" on center and 18" away from the wall with Wall Wash trims
- Rated for insulated airtight and non insulated ceilings
- Aluminum body
- Powder coated finishes
- Trim clips designed for up to 0.875" ceiling thickness. Thicker ceiling option available.
- Powered by a remodel or remote drivers (sold separately)

### FLANGE & REFLECTOR FINISHES



White



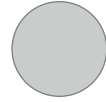
Black



Bronze



Matte  
Nickel



Matte  
Silver

### BEAM SPREADS (LXX)



15°



30°



40°



50°



65°



Wall Wash

### BEAM SPREADS (BXX)



25°



36°



55°



Wall Wash

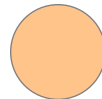
### COLOR TEMPERATURES



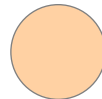
2700K



3000K



3500K



4000K



Warm Dim



Tunable  
White

**PERFORMANCE SUMMARY—STATIC WHITE**

Color Accuracy (SDCM)	<3	
L70 Estimate (h)	50,000	
Color Rendering (CRI)	80	90
Lumen Series (2)	8008	9007
Source Lumens	800	700
Delivered Lumens	675	575
LED Wattage	6	6
Lumen Series (3)	8011	9010
Source Lumens	1100	1000
Delivered Lumens	875	750
LED Wattage	8.5	8.5
Lumen Series (4)	8015	9013
Source Lumens	1500	1300
Delivered Lumens	1175	1000
LED Wattage	13	13
Lumen Series (5)	8018	9014
Source Lumens	2450	2075
Delivered Lumens	1700	1425
LED Wattage	18	18
Lumen Series (7)	8023	9018
Source Lumens	3275	2750
Delivered Lumens	2275	1925
LED Wattage	25	25

**PERFORMANCE SUMMARY - TUNABLE WHITE**

Color Accuracy (SDCM)	<3	
L70 Estimate (h)	50,000	
Color Rendering (CRI)	90	
Lumen Series	9208	
Source Lumens	1000	
Delivered Lumens	700	
LED Wattage	9	
Lumen Series	9210	
Source Lumens	1400	
Delivered Lumens	900	
LED Wattage	13	

\*Delivered lumens are base on square fixed trim, 4000K colour temperature with 36° beam for 9208 and 9210 lumen series.

**PERFORMANCE SUMMARY—WARM DIMMING**

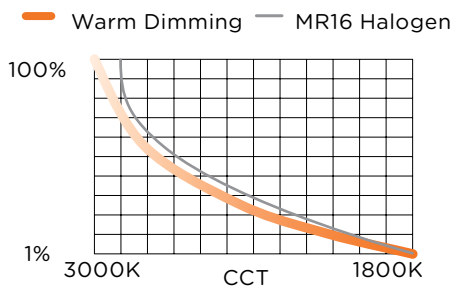
Color Rendering (CRI)	95
Lumen Series (1)	9510
Source Lumens	1000
Delivered Lumens	750
LED Wattage	12

\*Delivered lumens are based on round fixed trim, 3000K color temperature with 30° beam for 2, 3 and 4 lumen series and 55° beam angle for 1, 5 and 7 lumen series.

\* Refer to IES files for individual product information.

\* Consult factory for additional lower lumen options.

**WARM DIMMING METRICS**



# PURIST

## 2" | Standard LED | Remodel Driver | Order Form

### PRODUCT NOTES:

1. Pinhole trim reflector finish painted black standard. No reflector finish selection required.
2. Requires one remodel driver per lamp, unavailable in 8023, 9018, 8018, 9014.
3. T2SF-2 and T2SF-3 are not available with CL or F Glass wet location option.
4. CC custom color requires factory consultation.
5. CL and F glass is mounted to trim and is wet location listed when selected.
6. CL and F glass is not available with T2RP and T2SP. Also LWW and BWW wall wash module and beam spreads.
7. L15, L30, L40, L50, L65, LWW beam angles are only available with Lumen series 8008, 9007, 8011, 9010, 8015 and 9013.

8. B25, B36, B55, BWW beam angles are only available with Lumen series 9510, 8018, 9014, 8023, 9018, 9208, and 9210.
9. LWW and BWW wall wash module and beam spread light engines can only be used with T2RF or T2SF trims.
10. 3018 warm dim color temperature is only available in 9510 Lumen Series.
11. Only available in Non-Insulated.
12. 8023 and 9018 Lumen series are not available with LH dimming, 8023, 9018, 8015 and 9013 are not available with D dimming.
13. 8015, 8023, 9013 and 9018 Lumen series are not available in P1 and P0.

14. Tunable white is only available in remodel driver
  15. Tunable white is only available in P, D and DX dimming with two channel control.
  16. Tunable white only available in B25, B36, B55, and BWW beam angles.
  17. S dimming is only available in 120 voltage.
  18. T2SF-2 and T2SF-3 are not available in thicker ceiling option.
- Wet Location.
  - 3000K-1800K Warm Dimming.
  - Title 24 JA8 qualified, consult factory for complete listing.
  - Tunable White is only available in 9208 and 9210.

### SELECT A TRIM

#### [1] TRIM

- T2RA** Round Adjustable
- T2RF** Round Fixed
- T2RP** Round Pinhole<sup>1,6</sup>
- T2SA** Square Adjustable
- T2SF** Square Fixed
- T2SP** Square Pinhole<sup>1,6</sup>
- T2SF-2** 1x2 Square Fixed Multiple<sup>2,3</sup>
- T2SF-3** 1x3 Square Fixed Multiple<sup>2,3</sup>

#### [2] FLANGE TYPE

**T** Trimmed

#### EXCLUDES SF-2, SF-3 TRIMS

**TL** Trimless

#### RF, RP, SF, SP TRIMS ONLY

**TLW** Wood Trimless

#### [3] FLANGE FINISH

- 01** White
- 04** Black
- 05** Matte Silver
- 06** Bronze
- 11** Matte Nickel
- CC** Custom Color<sup>4</sup>

#### [4] REFLECTOR FINISH

- 01** White
- 04** Black
- 05** Matte Silver
- 06** Bronze
- 11** Matte Nickel
- CC** Custom Color<sup>4</sup>

#### RP, SP TRIMS ONLY

**[BLANK]** No Finish

#### [5] GLASS

**[Blank]** No Lens

#### RF, RA, SF, SA TRIMS ONLY

- CL** Clear
- F** Frosted

#### [6] MODULE & BEAM SPREAD

- L15** 15° Beam<sup>7</sup>
- L30** 30° Beam<sup>7</sup>
- L40** 40° Beam<sup>7</sup>
- L50** 50° Beam<sup>7</sup>
- L65** 65° Beam<sup>7</sup>
- B25** 25° Beam<sup>8,16</sup>
- B36** 36° Beam<sup>8,16</sup>
- B55** 55° Beam<sup>8,16</sup>

#### RF, SF TRIMS ONLY

- LWW** Wall Wash<sup>7,9</sup>
- BWW** Wall Wash<sup>8,9</sup>

### [7] COLOR TEMPERATURE

#### STATIC WHITE

- 27** 2700K
- 30** 3000K
- 35** 3500K
- 40** 4000K

#### WARM DIMMING

- 3018** 3000-1800K

#### TUNABLE WHITE

- 4018TW** 4000K-1800K
- 6527TW** 6500K-2700K

### [8] LUMENS SERIES

#### STATIC WHITE & WARM DIMMING

- 9510** 95 CRI, 750lm
- 8008** 80 CRI, 675lm
- 9007** 90 CRI, 575lm
- 8011** 80 CRI, 875lm
- 9010** 90 CRI, 750lm
- 8015** 80 CRI, 1175lm<sup>12</sup>
- 9013** 90 CRI, 1000lm
- 8018** 80 CRI, 1700lm<sup>11</sup>
- 9014** 90 CRI, 1425lm<sup>11,12</sup>
- 8023** 80 CRI, 2275lm<sup>11,12</sup>
- 9018** 90 CRI, 1925lm<sup>11,12</sup>

#### TUNABLE WHITE

- 9208** 90 CRI, 700lm
- 9210** 90 CRI, 900lm

#### [9] OPTIONS

- EXT** Thick Ceiling (0.875"-1.5")<sup>18</sup>

### SELECT A DRIVER

#### [10] DRIVER

- DRC-T2** Remodel Driver

#### [11] LUMEN SERIES

#### STATIC WHITE & WARM DIMMING

- 1** 750 Lumens Max (9510)
- 2** 675 Lumens Max (8008, 9007)
- 3** 875 Lumens Max (8011, 9010)
- 4** 1175 Lumens Max (8015, 9013)
- 5** 1700 Lumens Max (8018, 9014)<sup>11</sup>
- 7** 2275 Lumens Max (8023, 9018)<sup>11</sup>

#### TUNABLE WHITE

- 2TW** 700 Lumens Max (9208)
- 3TW** 900 Lumens Max (9210)

### [12] DIMMING

#### STATIC WHITE & WARM DIMMING

- LH** Lutron Hi-lume EcoSystem Soft-on Fade-to-Black (1%)<sup>12</sup>
- D** Dali-2 Dimming (1%)<sup>12</sup>
- P1** 0-10V eldoLED ECOdrive (1%)<sup>13</sup>
- P0** 0-10V eldoLED SOLOdrive (0.1%)<sup>13</sup>
- P** 0-10V Dimming (1%)
- S** Phase Dimming (1%)<sup>17</sup>

#### TUNABLE WHITE

- P** 0-10V 2-Channel Control (0.1%)
- D** Dali-2 2-Channel Control (0.1%)
- DX** DMX 2-Channel Control (0.1%)

#### [13] VOLTAGE

- 120** 120V
- 277** 277V

### SELECT A HOUSING

#### [14] BASEPLATE

- R2P** Purist Baseplate

#### [15] HOUSING/CEILING

- F** Non-Insulated
- IC3A** Insulated Airtight Type 3
- IC4A** Insulated Airtight Type 4
- CP3A** Chicago Plenum Type 3<sup>14</sup>
- CP4A** Chicago Plenum Type 4<sup>15</sup>

#### [16] TRIM SHAPE

- R** Round
- S** Square

#### [17] LAYOUT

- [BLANK]** 1x1 Single Lamp
- 2** 1x2 Multiples Lamp<sup>11,16</sup>
- 3** 1x3 Multiples Lamp<sup>11,16</sup>

#### [18] FLANGE TYPE

**T** Trimmed

#### EXCLUDES SF-2, SF-3 TRIMS

**TL** Trimless

#### RF, RP, SF, SP TRIMS ONLY

**TLW** Wood Trimless

# PURIST

## 2" | Standard LED | Remote Driver | Order Form

### PRODUCT NOTES:

1. Pinhole trim reflector finish painted black standard. No reflector finish selection required.
2. T2SF-2 and T2SF-3 are not available with CL or F Glass wet location option.
3. CC custom color requires factory consultation.
4. CL and F glass is mounted to trim and is wet location listed when selected.
5. CL and F glass is not available with LWW and BWW wall wash module and beam spreads.
6. CL and F glass is not available with T2RP and T2SP. Also LWW wall wash module and beam spreads.

7. Refer to remote driver compatibility chart for available configurations and dimming combinations. Wiring between fixture and driver by others..
  8. S dimming is only available in 120 voltage.
  9. 347 volt is only available in P dimming
  10. Only available in Non-Insulated.
- Wet Location.  
● Title 24 JA8 qualified, consult factory for complete listing.

### SELECT A TRIM

#### [1] TRIM

- T2RA** Round Adjustable ●
- T2RF** Round Fixed ●
- T2RP** Round Pinhole<sup>1,6</sup>
- T2SA** Square Adjustable ●
- T2SF** Square Fixed ●
- T2SP** Square Pinhole<sup>1,6</sup>
- T2SF-2** 1x2 Square Fixed Multiple<sup>2</sup>
- T2SF-3** 1x3 Square Fixed Multiple<sup>2</sup>

#### [2] FLANGE TYPE

- T** Trimmed

#### [↓] EXCLUDES SF-2, SF-3 TRIMS

- TL** Trimless

#### [↓] RF, RP, SF, SP TRIMS ONLY

- TLW** Wood Trimless

#### [3] FLANGE FINISH

- 01** White
- 04** Black
- 05** Matte Silver
- 06** Bronze
- 11** Matte Nickel
- CC** Custom Color<sup>3</sup>

#### [4] REFLECTOR FINISH

- 01** White
- 04** Black
- 05** Matte Silver
- 06** Bronze
- 11** Matte Nickel
- CC** Custom Color<sup>3</sup>

#### [↓] RP, SP TRIMS ONLY

- [BLANK]** No Finish

#### [5] GLASS

- [Blank]** No Lens

#### [↓] RF, RA, SF, SA TRIMS ONLY

- CL** Clear ●<sup>4,5</sup>
- F** Frosted ●<sup>4,5</sup>

#### [6] MODULE & BEAM SPREAD

- L15** 15° Beam
- L30** 30° Beam
- L40** 40° Beam
- L50** 50° Beam
- L65** 65° Beam

#### [↓] RF, SF TRIMS ONLY

- LWW** Wall Wash<sup>6</sup>

#### [7] COLOR TEMPERATURE

- 27** 2700K
- 30** 3000K
- 35** 3500K
- 40** 4000K

#### [8] LUMENS SERIES

- 8008** 80 CRI, 675lm
- 9007** 90 CRI, 575lm ●
- 8011** 80 CRI, 875lm
- 9010** 90 CRI, 750lm ●

#### [9] DRIVER

- RT** Remote Driver

#### [10] OPTIONS

- EXT** Thick Ceiling (0.875"-1.5")

### SELECT A DRIVER

#### [11] DRIVER

- DTM** Remote Driver<sup>7</sup>

#### [12] LUMEN SERIES

- 500** 500mA Constant Current (8008, 9007)
- 700** 700mA Constant Current (8011, 9010)

#### [13] CHANNEL

- 1** 1 Channel

#### [14] CONFIGURATION

- A** Configuration A
- B** Configuration B

#### [15] DIMMING

- D** Dali-2 Dimming (1%)
- LH** Lutron Hi-lume EcoSystem Soft-on Fade-to-Black (1%)
- P** 0-10V Dimming (1%)
- P1** eldoLED 0-10V Dimming (1%)
- PO** 0-10V eldoLED SOLOdrive (0.1%)
- S** Phase Dimming (1%)<sup>8</sup>

#### [16] VOLTAGE

- 120** 120V
- 277** 277V
- 347** 347V<sup>9</sup>

### SELECT A HOUSING

#### [17] BASEPLATE

- R2P** Purist Baseplate

#### [18] HOUSING/CEILING

- F** Non-Insulated
- IC3A** Insulated Airtight Type 3 ●
- CP3A** Chicago Plenum Type 3

#### [19] TRIM SHAPE

- R** Round
- S** Square

#### [20] LAYOUT

- [BLANK]** 1x1 Single Lamp
- 2** 1x2 Multiples Lamp<sup>10</sup>
- 3** 1x3 Multiples Lamp<sup>10</sup>

#### [21] FLANGE TYPE

- T** Trimmed

#### [↓] EXCLUDES SF-2, SF-3 TRIMS

- TL** Trimless

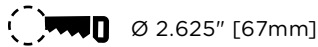
#### [↓] RF, RP, SF, SP TRIMS ONLY

- TLW** Wood Trimless

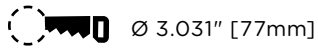
**CEILING CUTOUTS**

**LUMEN SERIES: 9510, 8008, 9007, 8011, 9010, 8015, 9013**

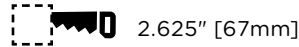
**TRIMMED ROUND**



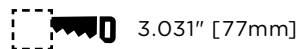
**WOOD / TRIMLESS ROUND**



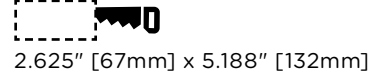
**TRIMMED SQUARE**



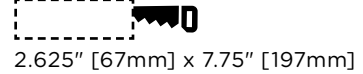
**WOOD / TRIMLESS SQUARE**



**1X2 MULTIPLES**



**1X3 MULTIPLES**

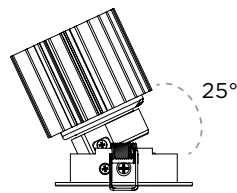
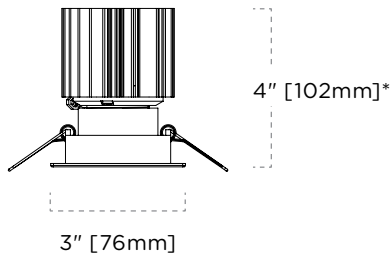


**ROUND & SQUARE TRIM DIMENSIONS**

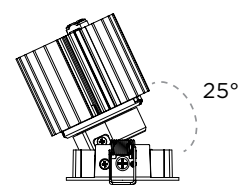
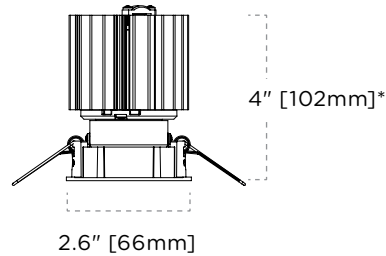
**LUMEN SERIES: 9510, 8008, 9007, 8011, 9010, 8015, 9013**

\* Overall height is .43" [11mm] taller when L15 option

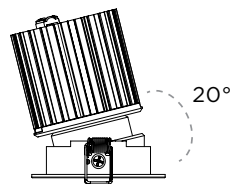
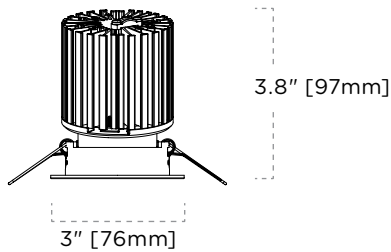
**ADJUSTABLE**



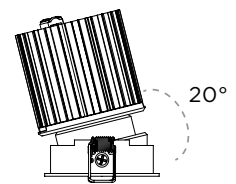
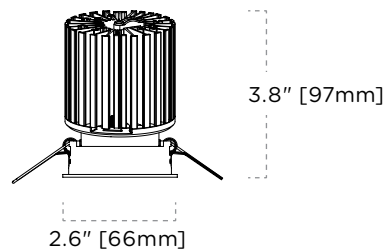
**TRIMLESS ADJUSTABLE**



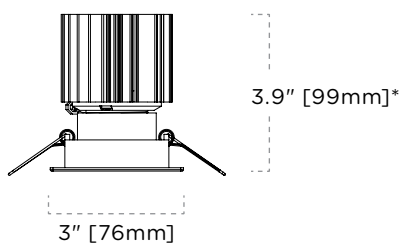
**WALL WASH**



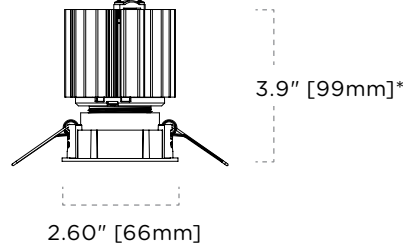
**TRIMLESS WALL WASH**



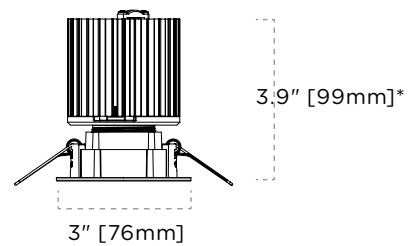
**FIXED**



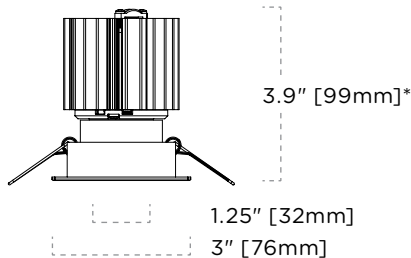
**TRIMLESS FIXED**



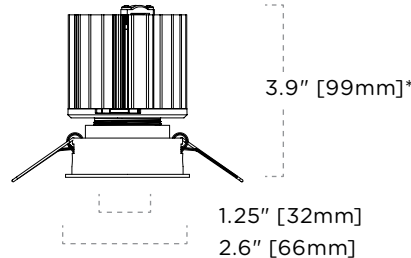
**WOOD TRIMLESS FIXED**



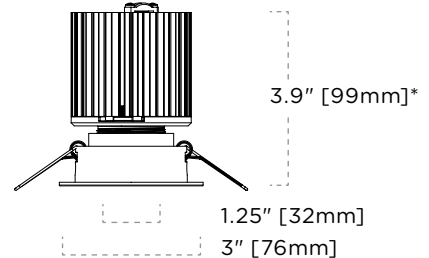
**PINHOLE**



**TRIMLESS PINHOLE**



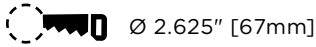
**WOOD TRIMLESS PINHOLE**



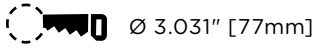
**CEILING CUTOUTS**

**LUMEN SERIES: 8018, 9014, 8023, 9018**

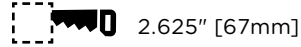
**TRIMMED ROUND**



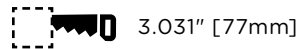
Wood / Trimless Round



**TRIMMED SQUARE**



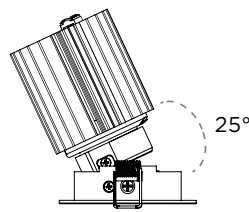
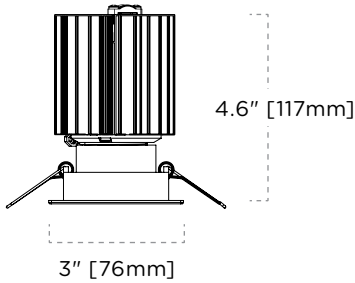
Wood / Trimless Square



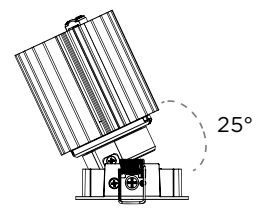
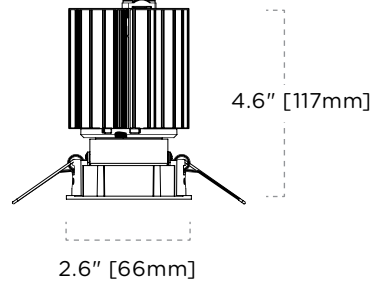
**ROUND & SQUARE TRIM DIMENSIONS**

**LUMEN SERIES: 8018, 9014, 8023, 9018**

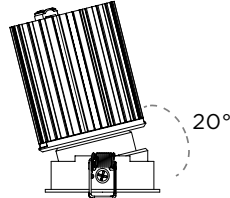
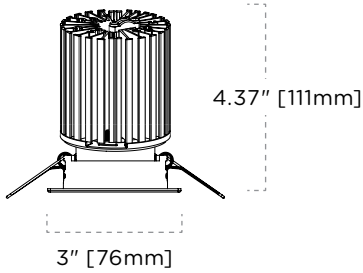
**ADJUSTABLE**



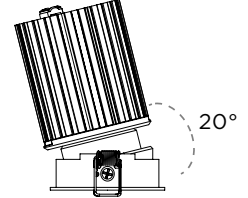
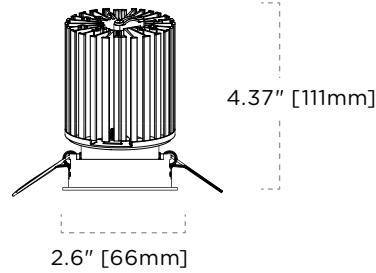
**TRIMLESS ADJUSTABLE**



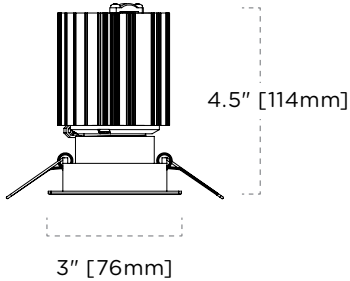
**WALL WASH**



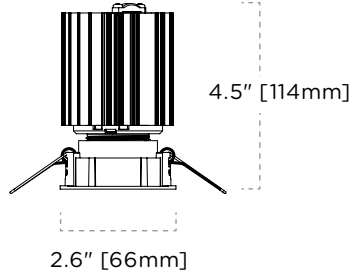
**TRIMLESS WALL WASH**



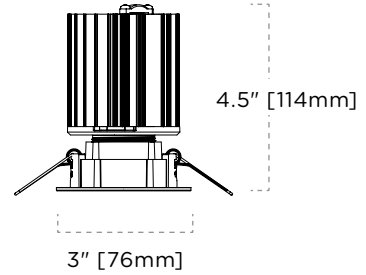
**FIXED**



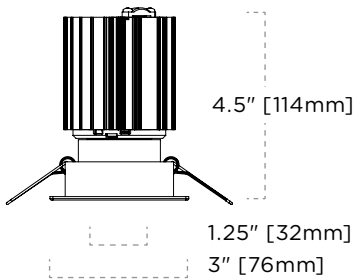
**TRIMLESS FIXED**



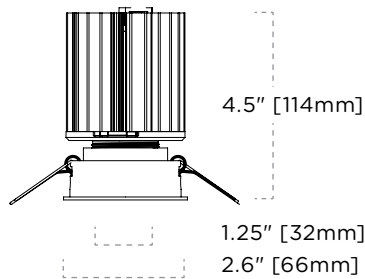
**WOOD TRIMLESS FIXED**



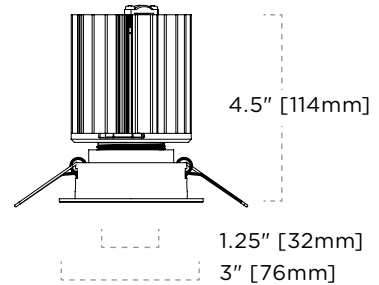
**PINHOLE**



**TRIMLESS PINHOLE**



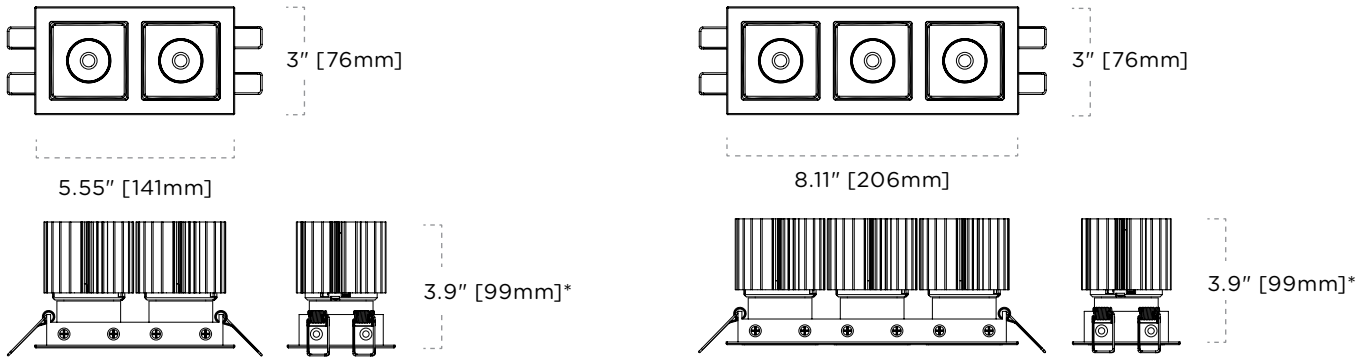
**WOOD TRIMLESS PINHOLE**



**MULTIPLES DIMENSIONS**

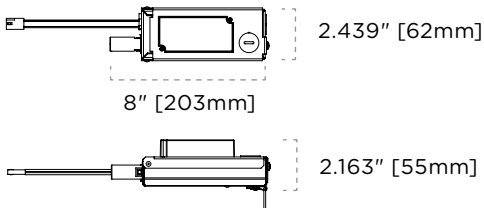
\* Overall height is .43" [11mm] taller when L15 option is selected

\* Lumen Series: 9510, 8008, 9007, 8011, 9010, 8015, 9013

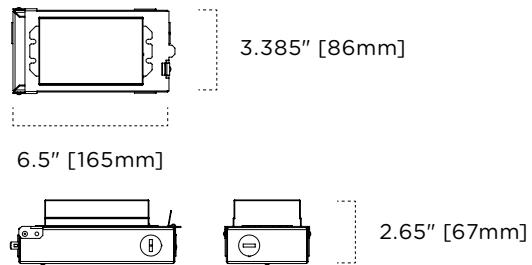


**DRIVER DIMENSIONS**

**REMODEL**



**REMOTE DRIVER**



\* Minimum Required Plenum Height 5.5" [140mm]

**REMOTE DRIVER COMPATIBILITY (PER LAMP)**

Trim	Driver Type	Series	CH.	Config.	*Dimming Type <sup>1,2</sup>	Min Load Units	Max Load Units				
T2RF	DTM	500	1	A	D	1	3				
T2RA					LH	1	3				
T2RP					P	1	4				
T2SF					P1	1	3				
T2SA					PO	1	3				
T2SP				S	1	3					
T2SF-2				B	LH	2	3				
T2SF-3											
(8008, 9007)											
T2RF								DTM	700	1	A
T2RA	LH	1	3								
T2RP	P	1	4								
T2SF	P1	1	3								
T2SA	PO	1	3								
T2SP	S	1	3								
T2SF-2	S	1	1	3							
T2SF-3											
(8011, 9010)											

\*Maximum remote mounting distance (Wire length).

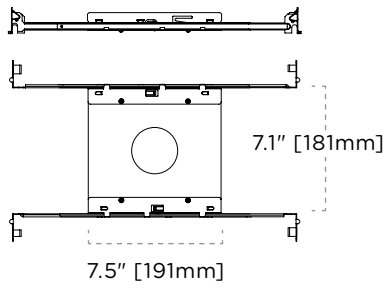
1. LE, LH : 100' using 12 AWG, 50' using 14 AWG.

2. P, P1, S : 100' using 14 AWG, 50' using 16 AWG.

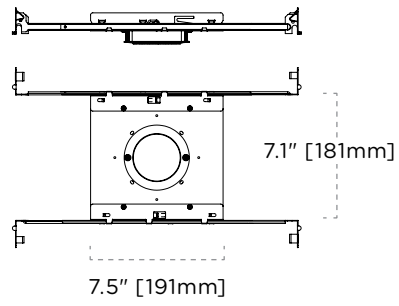
## NON-INSULATED—ROUND & SQUARE HOUSING DIMENSIONS

\* Round line art shown. Round & Square housing dimensions are equal.

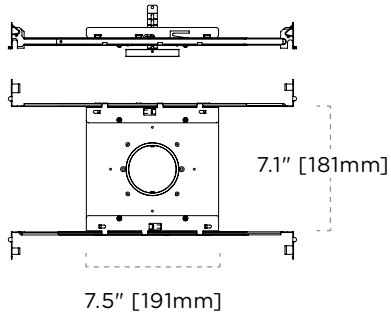
### NON-IC



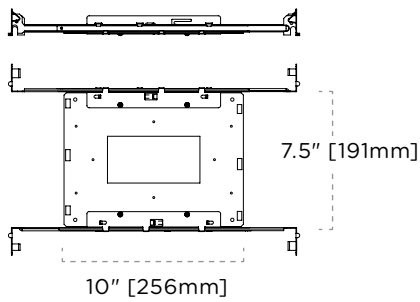
### TRIMLESS NON-IC



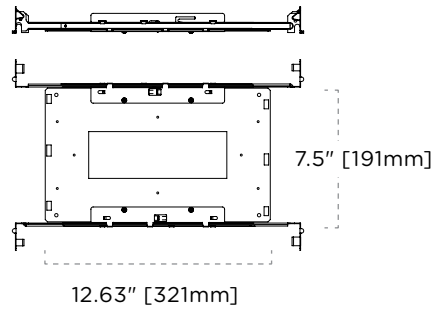
### WOOD TRIMLESS NON-IC



### NON-IC (1X2)



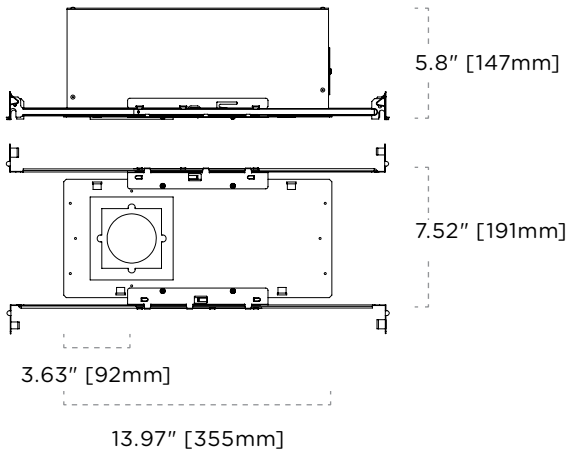
### NON-IC (1X3)



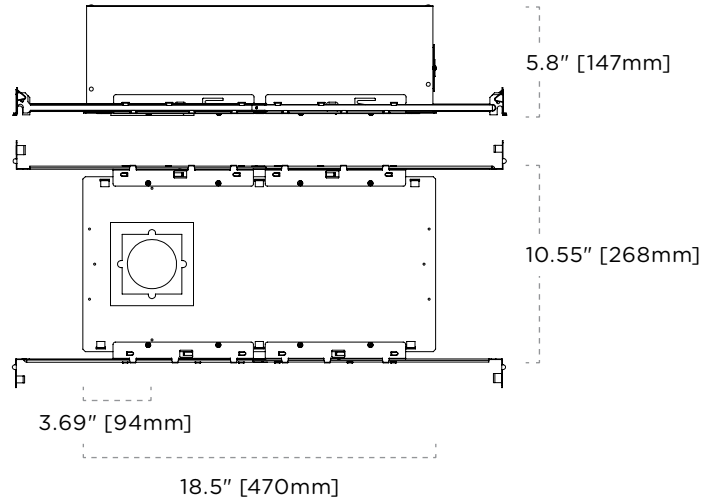
## INSULATED AIRTIGHT—ROUND & SQUARE HOUSING DIMENSIONS

\* Round line art shown. Round & Square housing dimensions are equal.

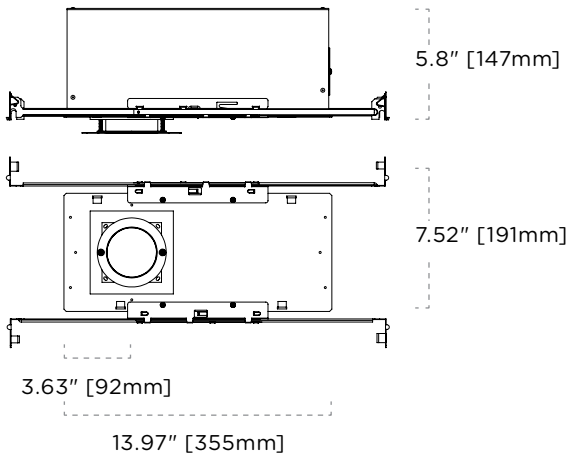
### IC AIRTIGHT (IC3A)



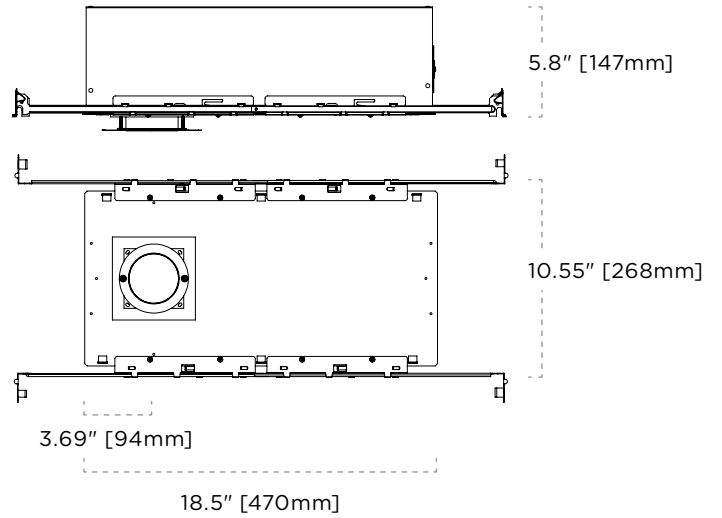
### IC AIRTIGHT (IC4A)



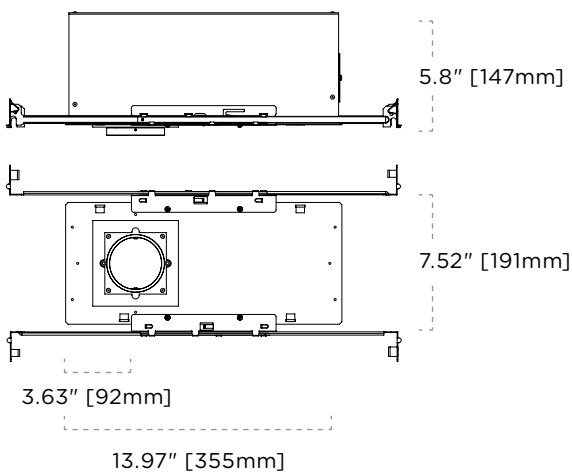
### TRIMLESS IC AIRTIGHT (IC3A)



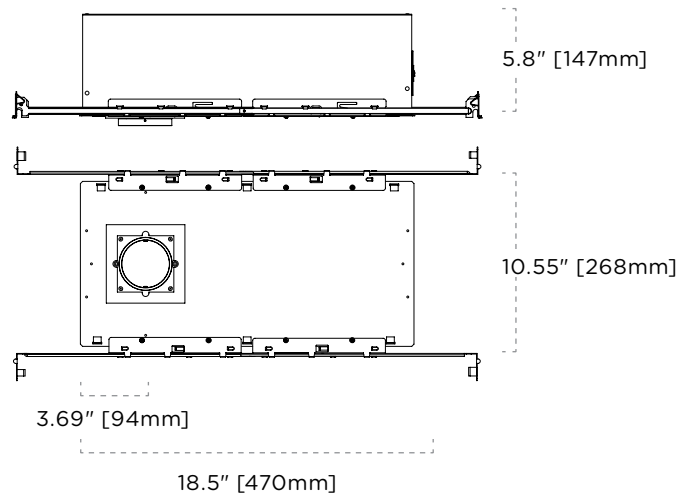
### TRIMLESS IC AIRTIGHT (IC4A)



### WOOD TRIMLESS IC AIRTIGHT (IC3A)



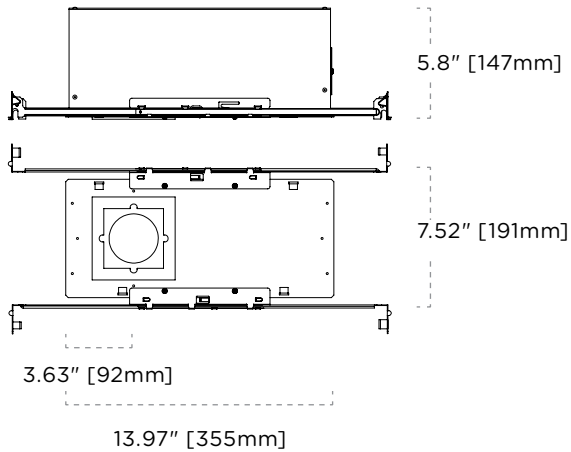
### WOOD TRIMLESS IC AIRTIGHT (IC4A)



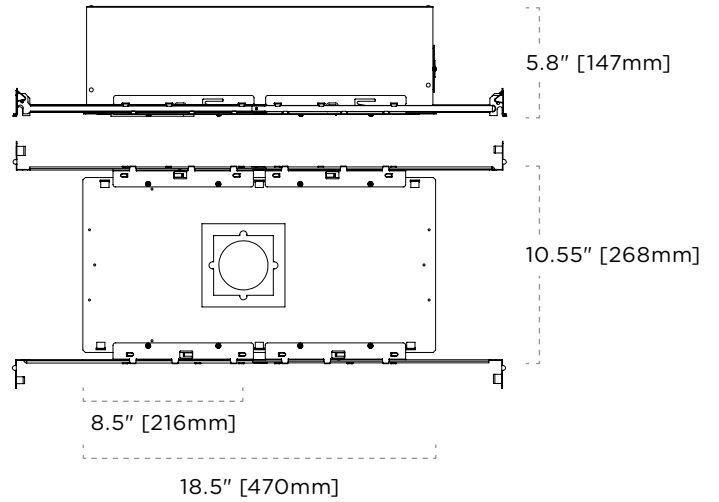
**CHICAGO PLENUM—ROUND & SQUARE HOUSING DIMENSIONS**

\* Round line art shown. Round & Square housing dimensions are equal.

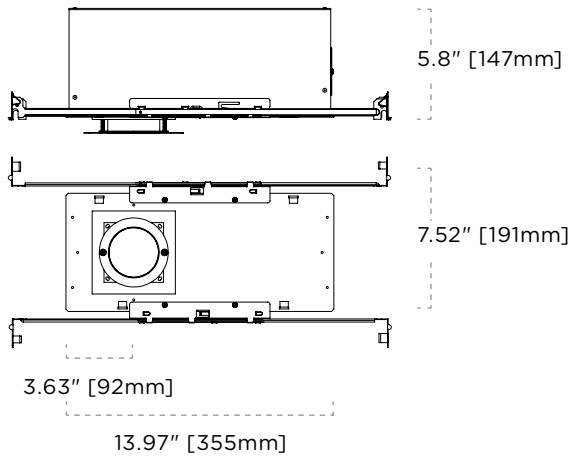
**CHICAGO PLENUM (CP3A)**



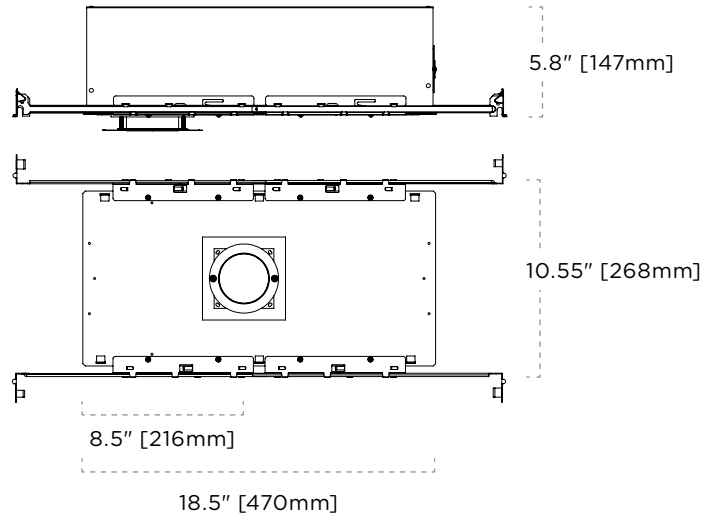
**CHICAGO PLENUM (CP4A)**



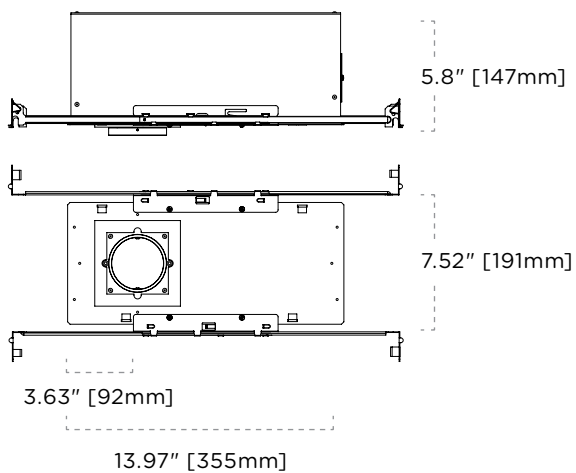
**TRIMLESS CHICAGO PLENUM (CP3A)**



**TRIMLESS CHICAGO PLENUM (CP4A)**



**WOOD TRIMLESS CHICAGO PLENUM (CP3A)**



**WOOD TRIMLESS CHICAGO PLENUM (CP4A)**

