

## PSC-DM-WS-400-BLE-xx Series | Wireless 4-Button Dimmer Wall Switch (Scene Control)

### Basic Features

- Bluetooth Mesh
- Manual on/off (wireless)
- LED status indicator light
- Mounts in any standard wall box
- 4-Button may be personalized
- Color: white



Suitable for Indoor Use Only

### Applications

PSC-DM-WS-400-BLE Bluetooth mesh dimmers provide automatic lighting control for a variety of indoor applications. They can replace any standard single-pole wall switch. 4-Button can be used for On/Off, dimming, scenes and color tuning controls. The configurations of each button can be personalized at the field.

Typical applications include public restrooms, private offices, classrooms, conference rooms, storage spaces, and break rooms.

### Operation

The device connects to a Bluetooth mesh network to control all of the lights in a specific zone. The four buttons may be personalized. The unit also functions as a manual dimmer.

End Users can program dim levels and set scheduling through Bluetooth Android or iOS apps.

Control Purpose: Operating

Control Construction: Independently mounted for flush panel mounting

Pollution Degree: PD2, Indoor

Impulse Voltage: 4000 V

Action Type: 1

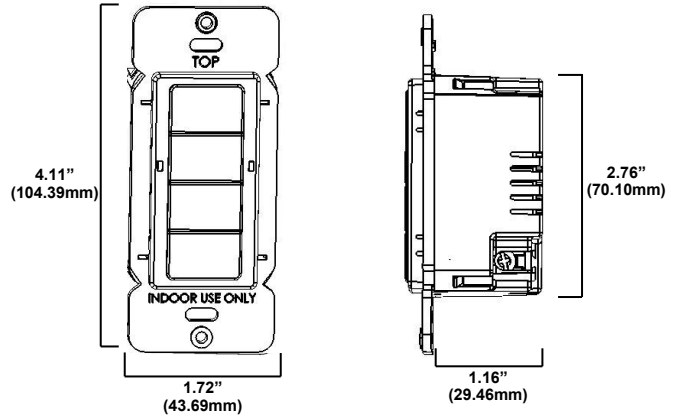
### How to Order

Model No.	Description	Input Voltage
PSC-DM-WS-400-BLE-XX	Wireless 4-Button Dimmer Wall Switch, Scene Control	120-277 VAC, 60Hz
<b>Please indicate Suffix for options on -XX:</b>		
-SR / -FSR	For Bluetooth Mesh in TruBlu™ Enabled Version / For Bluetooth Mesh in Future-Silvair Enabled	
-CB	For Bluetooth Mesh in Casambi Enabled Version	

Summary	
Product Type	Dimmer Wall Switch
Input Voltage	120-277 VAC, 50/60Hz
Max Bluetooth Range*	49 ~ 65ft (15 ~ 20m)
Operating Temperature	0° to 55°C
Storage Temperature	-10° to 60°C
Relative Humidity	95% non-condensing
Mounting	Standard wall box
Color	White
Warranty	5 years

\*Bluetooth Range is highly dependent on the integration of fixtures, surrounding environment and conditions. It is recommended to conduct testing for range accuracy.

### Physical Dimensions



Drawings are Not to Scale

### Wiring Diagram

