

PSC-DM-WS-100-BLE-xx Series | Bluetooth Dimmer Wall Switch

Basic Features

- Bluetooth Mesh
- Manual on/off (wireless)
- LED status indicator light
- Mounts in any standard wall box
- Color: white



Suitable for Indoor Use Only



Applications

PSC-DM-WS-100-BLE Bluetooth mesh dimmers provide automatic lighting control for a variety of indoor applications. They can replace any standard single-pole wall switch.

Typical applications include public restrooms, private offices, classrooms, conference rooms, storage spaces, and break rooms.

Sensor Operation

The Dimmer connects to a Bluetooth mesh network to control all of the lights in a specific zone.

End Users can program dim levels and set scheduling through Bluetooth Android or iOS apps.

The unit also functions as a manual dimmer.

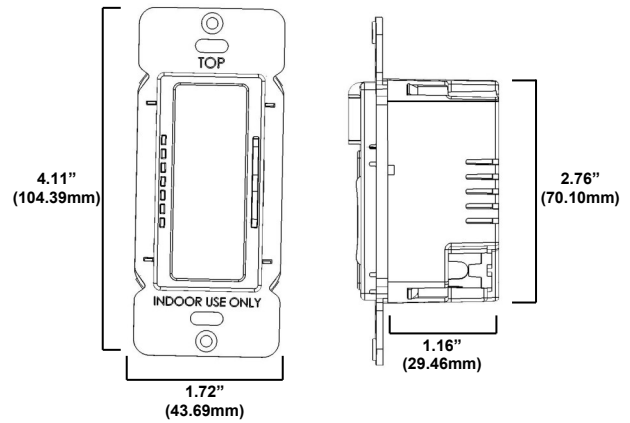
How to Order

Model No.	Description	Input Voltage
PSC-DM-WS-100-BLE-XX	Bluetooth mesh wall switch	120-277 VAC, 60Hz
Please indicate Suffix for options on -XX:		
-SR / -FSR	For Bluetooth Mesh in TruBlu™ Enabled Version / For Bluetooth Mesh in Future-Silvair Enabled	
-CB	For Bluetooth Mesh in Casambi Enabled Version	

Summary	
Product Type	Dimmer Wall Switch
Input Voltage	120-277 VAC, 50/60Hz
Max Bluetooth Range*	49 ~ 65ft (15 ~ 20m)
Time Delay	Varies
Photocell Sensitivity	NA
Operating Temperature	0° to 55°C
Storage Temperature	-10° to 60°C
Relative Humidity	95% non-condensing
Mounting	Standard wall box
Color	White
Warranty	5 years

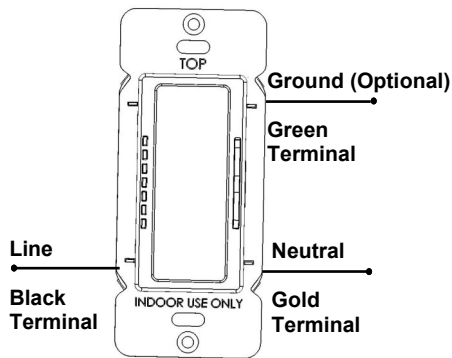
*Bluetooth Range is highly dependent on the integration of fixtures, surrounding environment and conditions. It is recommended to conduct testing for range accuracy.

Physical Dimensions



Drawings are Not to Scale

Wiring Diagram



SMART WIRELESS CONTROL

Settings Adjustment

Configurable through Bluetooth App

Time Delay 1

Default position: 5 sec (Test mode)

Time Delay 2

Default position: 10 sec (Test mode)