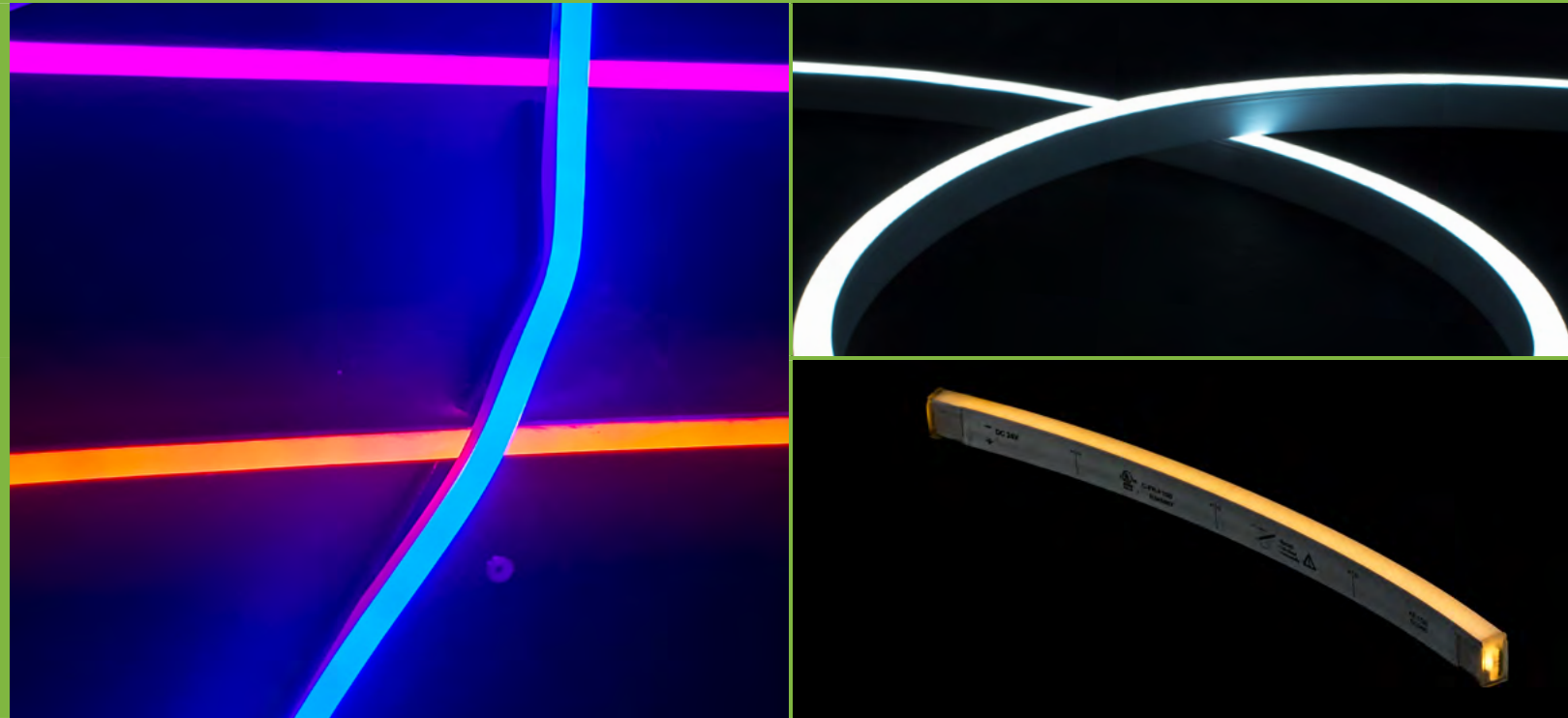


ProFlex LED Neon



Rugged and Flexible LED Neon

ProFlex LED Neon is a rugged and flexible option for achieving the creative potential of neon, while getting all the benefits of LED. The silicone housing provides fantastic diffusion and allows for durable installations, indoors or out. With 10 meter run lengths that only need to be powered from one end, our team engineered ProFlex LED Neon to be UL Listed and to cut down on labor and installation costs. It is capable of producing lighting effects that were never possible with traditional glass Neon. It is easy to control using any of our controllers, dimmers or any DMX controller.

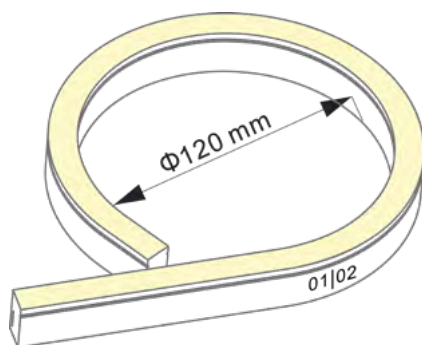
- Flexible and durable UV-resistant silicone housing
- Provides fantastic diffusion
- IP67 rated and suitable for indoor or outdoor use
- Maximum run length is 10 m powered from one end
- Factory End 1: Injection-molded front connector to 2m Bare Wire Cable
- Factory End 2: Injection-molded end cap



ProFlex LED Neon

Specifications

Output	ProFlex LED Neon - 2700K	ProFlex LED Neon - 3000K	ProFlex LED Neon - 4000K	ProFlex LED Neon - 5700K
	LN-PF-2700K	LN-PF-3000K	LN-PF-4000K	LN-PF-5700K
Beam Angle	160	160	160	160
Brightness (lm/m)	305	315	265	345
Efficacy (lm/W)	25.4	26.3	22.1	28.8
Brightness 2(mW/m)	935	935	800	1,135
Color Rendering Index	80+	80+	80+	80+
Color Temperature	2,700	3,000	4,000	5,700
Electrical				
Voltage (DC)	24	24	24	24
Power (W/m)	12	12	12	12
Density (LEDs/m)	72	72	72	72
LED Node Size	2835	2835	2835	2835
Dimming Specifications	Fully dimmable	Fully dimmable	Fully dimmable	Fully dimmable
Physical				
Material	Silicone	Silicone	Silicone	Silicone
Length (m)	10	10	10	10
Width (mm)	11.6	11.6	11.6	11.6
Height (mm)	21.2	21.2	21.2	21.2
Cutting Increment (mm)	83.3	83.3	83.3	83.3
Warranty	5-year limited	5-year limited	5-year limited	5-year limited
Rating	UL, RoHS	UL, RoHS	UL, RoHS	UL, RoHS
Factory End 1	Injection-molded front connector to 2m bare wire	Injection-molded front connector to 2m bare wire	Injection-molded front connector to 2m bare wire	Injection-molded front connector to 2m bare wire
Factory End 2	Injection-molded end cap	Injection-molded end cap	Injection-molded end cap	Injection-molded end cap



ProFlex LED Neon

Specifications

Output	ProFlex LED Neon - 2700K - 1 meter	ProFlex LED Neon - 3000K - 1 meter	ProFlex LED Neon - 4000K - 1 meter	ProFlex LED Neon - 5700K - 1 meter
	LN-PF-2700K-1m	LN-PF-3000K-1m	LN-PF-4000K-1m	LN-PF-5700K-1m
Beam Angle	120	120	120	120
Brightness (lm/m)	305	315	265	345
Efficacy (lm/W)	25.42	26.25	22.08	28.75
Brightness 2(mW/m)	935	935	800	1,135
Color Rendering Index	80+	80+	80+	80+
Color Temperature	2,700	3,000	4,000	5,700
Electrical				
Voltage (DC)	24	24	24	24
Power (W)	4	4	4	4
Density (LEDs/m)	72	72	72	72
LED Node Size	2835	2835	2835	2835
Dimming Specifications	Fully dimmable	Fully dimmable	Fully dimmable	Fully dimmable
Physical				
Material	Silicone	Silicone	Silicone	Silicone
Length (m)	0.34	0.34	0.34	0.34
Width (mm)	11.9	11.9	11.9	11.9
Height (mm)	21.6	21.6	21.6	21.6
Cutting Increment (mm)	83.3	83.3	83.3	83.3
Warranty	5 years limited	5 years limited	5 years limited	5 years limited
Rating	UL, RoHS	UL, RoHS	UL, RoHS	UL, RoHS

