

# LED LiteLinks Product Manual



LiteLinks are ultra-bright LED lightbars that link together to create a custom UL Listed lighting solution. Built-in diffusers run to the edge of each bar and provide seamless distribution of light across connections. LiteLinks need no cutting or soldering. Simply remove the endcaps and connect the two bars together. Integrated mounting magnets reduce installation time by securely adhering to magnetic surfaces without the need for additional hardware. LiteLinks are great for undercab, gondola, and endcap applications.

## Applications

- Functional work areas
- Kitchen counters
- Closets
- Display cabinets

## Features

- Smooth Elegant light
- Magnetic
- Linkable
- Corner pieces
- 3000K, 4000K, 5000K
- Dimmable
- UL listed

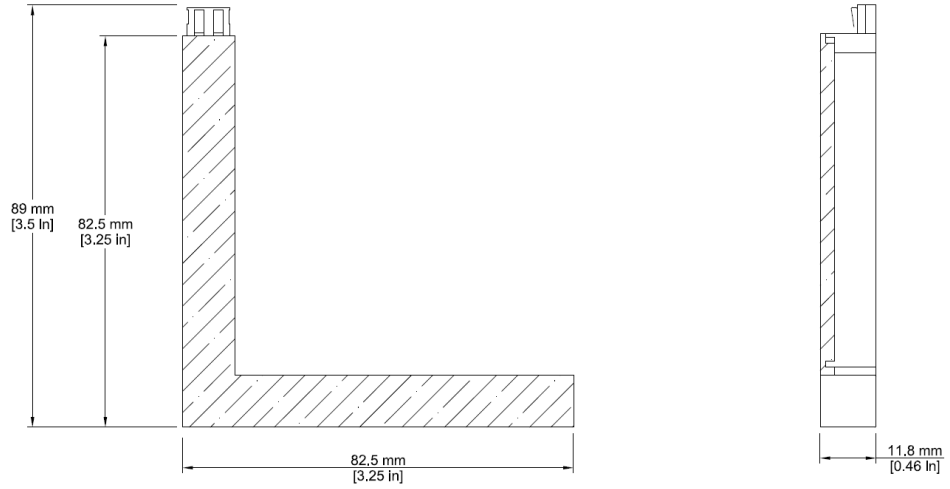
## Customization Options

1. LED LiteLinks come in four interchangeable configurations: 100mm bar, 300mm bar, Corner A and Corner B.
2. The Corner A/B products can be used to make 90° turns. Be sure to carefully select the appropriate piece for your installation. The Corner A makes a left turn and the Corner B makes a right turn.
3. The maximum run length is 3 meters. Inconsistent brightness or product failure can occur when powering over the recommended maximum length. Splitters can be used to link multiple branches to a single power source.

PRODUCT NO	Description
<p>3000K-CC2835LL-LB-21-11-100 4000K-CC2835LL-LB-21-11-100 5000K-CC2835LL-LB-21-11-100</p>	<p>This light bar has a lit area of 100mm and can fit into small places. Run Length: 0.1 m</p>
<p>3000K-CC2835LL-LB-63-11-300 4000K-CC2835LL-LB-63-11-300 5000K-CC2835LL-LB-63-11-300</p>	<p>This light bar has a lit area of 300 mm and is great for spanning across long areas. Run Length: 0.3 m</p>

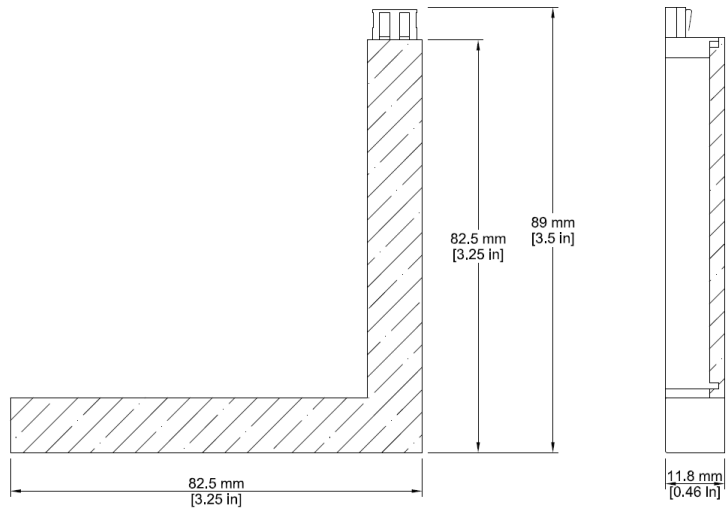
3000K-CC2835-CA  
4000K-CC2835-CA  
5000K-CC2835-CA

This corner light bar is great for changing directions of your LiteLinks assembly to the left.  
Run Length: 0.16m



3000K-CC2835-CB  
4000K-CC2835-CB  
5000K-CC2835-CB

This corner light bar is great for changing directions of your LiteLinks assembly to the right.  
Run Length: 0.16m



## Accessory Selection

Power connectors: The first bar in your LiteLinks assembly must have a power cable. Select the power cable connector that matches with the driver.



LiteLinks Cable- Female LL Connector – Bare wire –  
150 mm  
Product no: LL-FLL-BW-150mm



LiteLinks Cable- Female LL Connector -Female LL  
Connector – 1500 mm  
Product no: LL-FLL-FBC-1500mm

If power needs to travel from one LiteLink Bar to another without the need for light across that area, use the LiteLinks Cable- Female LL Connector -Male LL Connector – 150 mm.

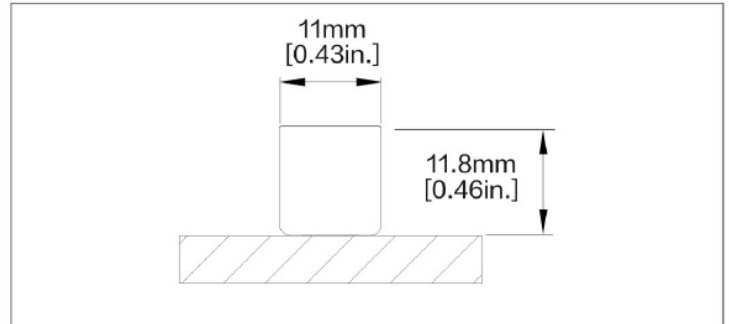
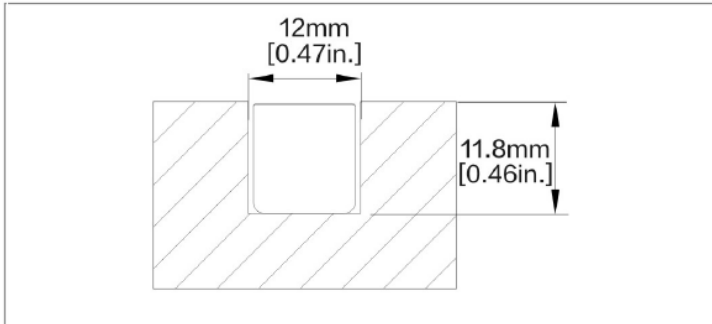


LiteLinks Cable- Female LL Connector -Male LL  
Connector – 150 mm  
Product no: LL-FLL-MLL-150mm

The last bar in your LiteLinks assembly should remain capped with the included end cap to protect the light bar connections points.

## Mounting

LED LiteLink bars have integrated magnets for mounting to metal surfaces.



For non-metal surfaces, all bars come with one or two mounting brackets that easily clip into the LightBar. Also available are 45 degree angled brackets that work with the 100mm and 300mm bars. Using these brackets will make the linear bars incompatible with any corner bars.

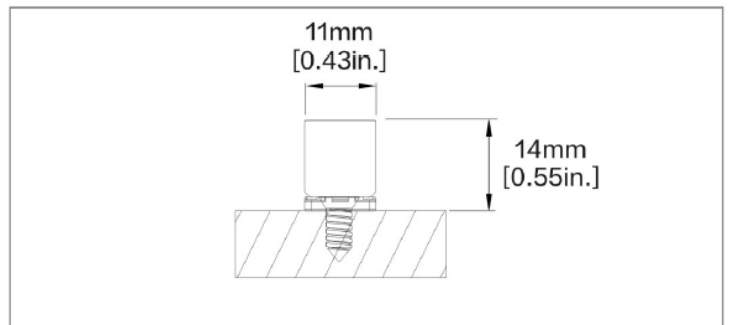
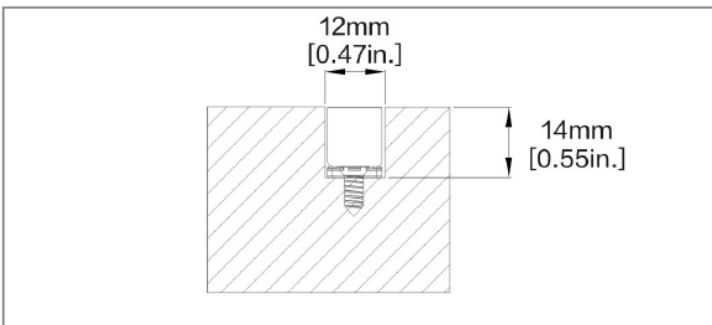


LiteLinks Mounting Bracket Kit (included)  
Product no: LL-MK



LiteLinks Angled Mounting Bracket Kit  
Product no: LL-AMK

To install the brackets, use screws to secure each mounting bracket to your surface and then clip the LiteLinks into place.



## Power and Dimming

Use a UL Listed 24V power supply with our LED LiteLinks assembly. Be sure not to overload your power supply. We recommend selecting a power supply that can handle over 20% more power than your LiteLinks assembly. For example, a assembly with two 300mm bars (6.2W each) and two 100mm bars (2W each) would total 16.4W, so a power supply over 20.5W would be recommended.

LED LiteLinks are fully dimmable using any Environmental Lights supplied dimmer. For a full list of compatible power supplies and dimmers, check the "accessories" section on any LiteLink product.