

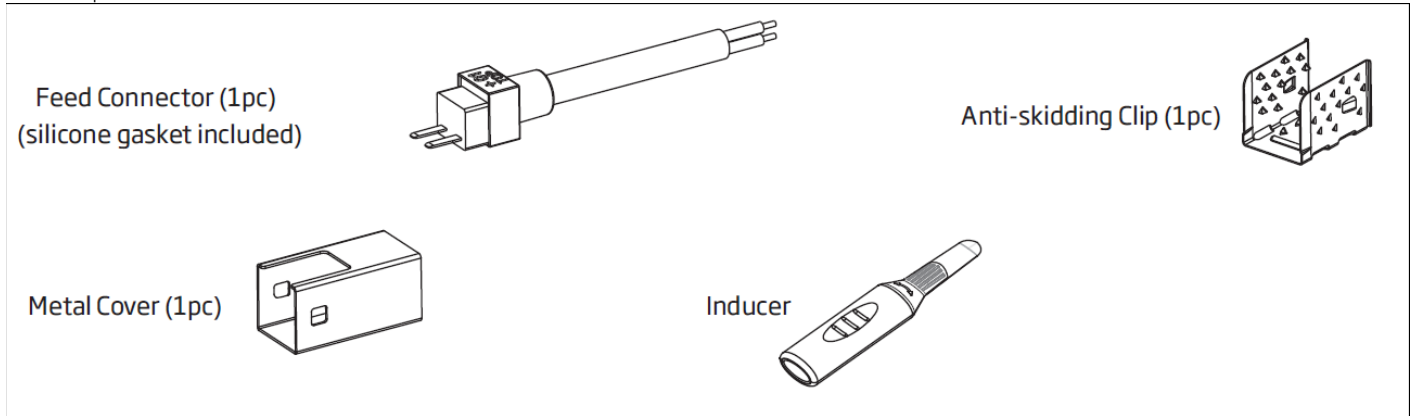
ProFlex Neon Connectors Installation Manual

LN-PF-ST, LN-PF-SP, LNW-PF-ST, LNW-PF-SP: Installation Manual

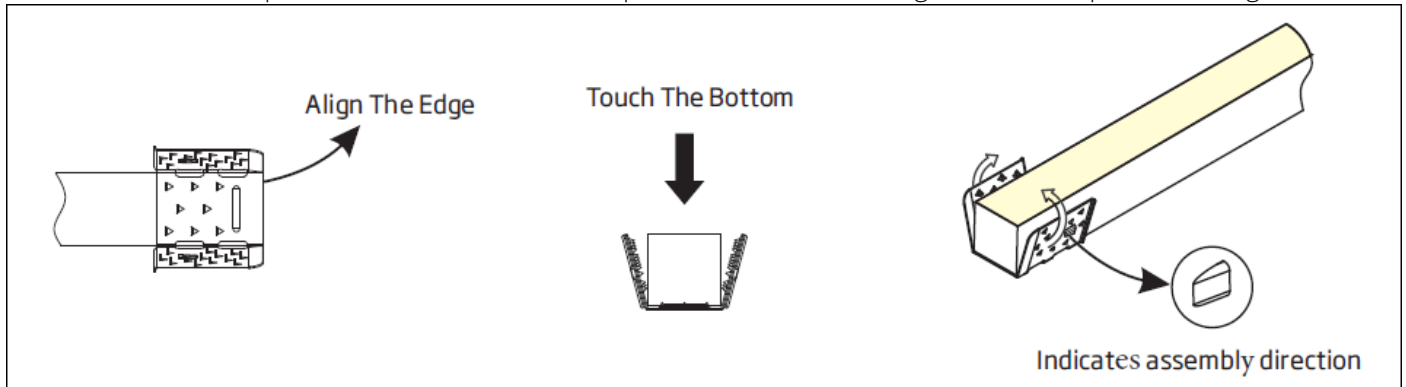


ST Wire Exits

1. Components

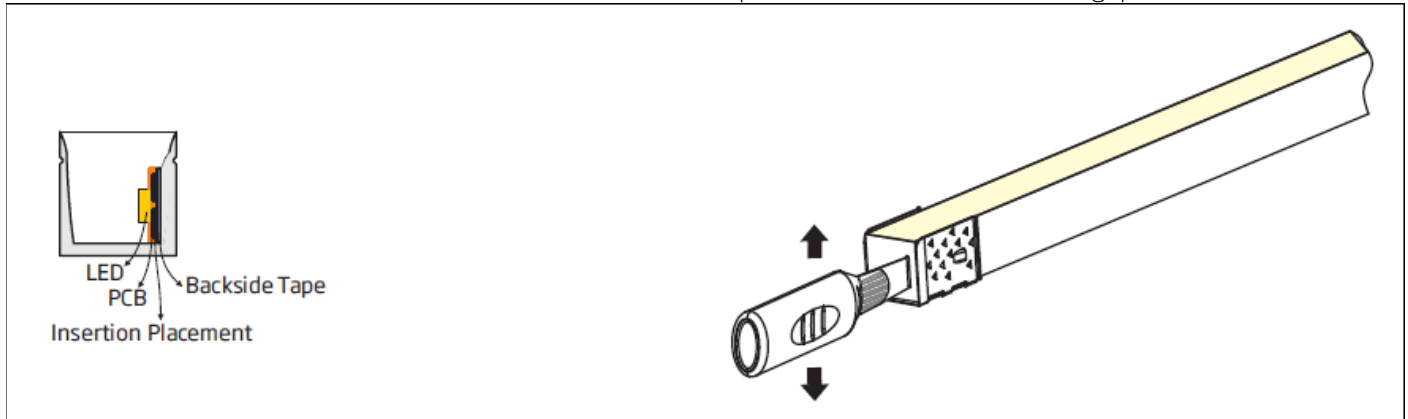


2. Unfold the metal clip and then install the metal clip onto the neon ensuring that it lines up with the edge of the neon.

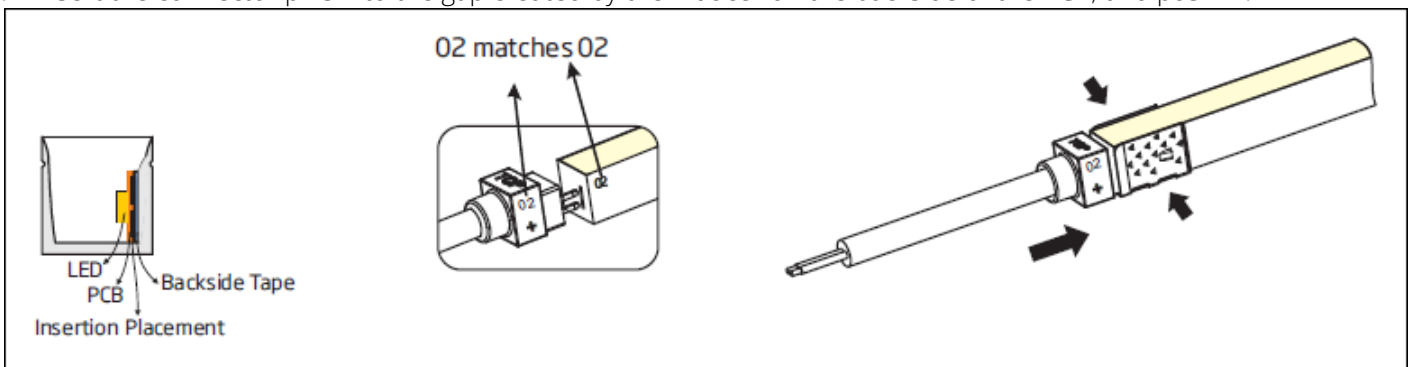


Eluxtra™ products are exclusively available for purchase through Environmental Lights and City Theatrical.

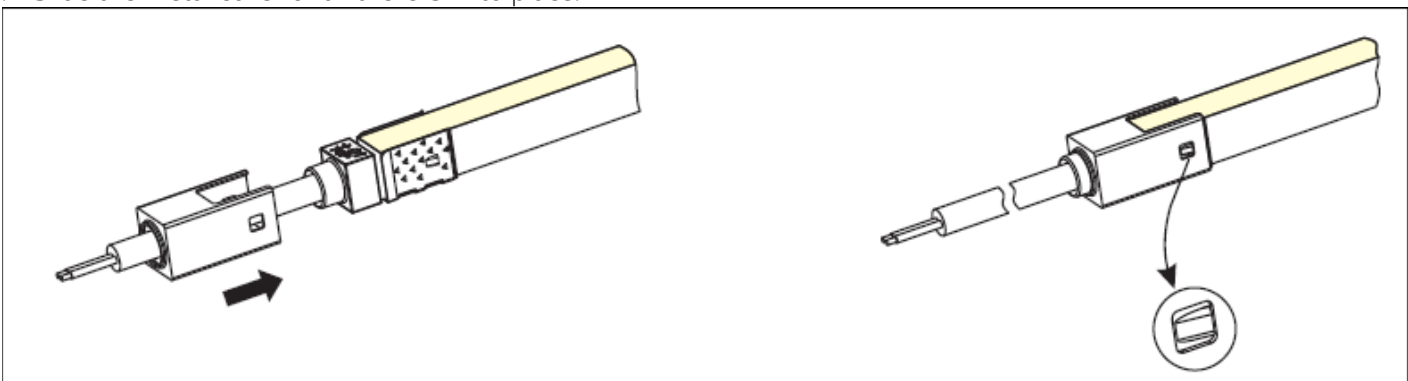
3. Insert the inducer into the backside of the PCB and move up and down to create a small gap.



4. Insert the connector pins into the gap created by the inducer on the backside of the PCB, and push in.



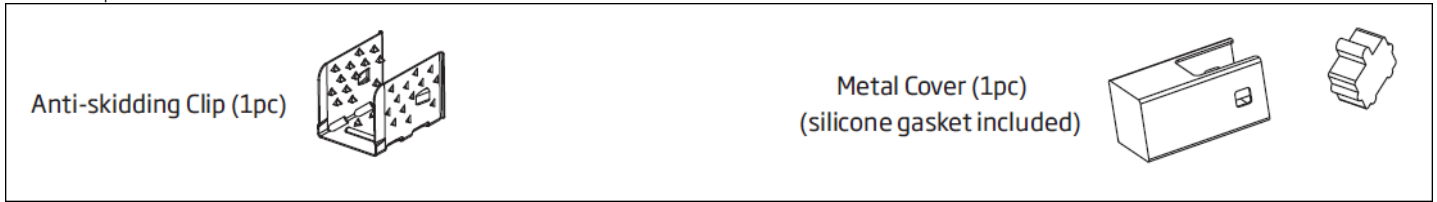
5. Slide the metal cover until it "clicks" into place.



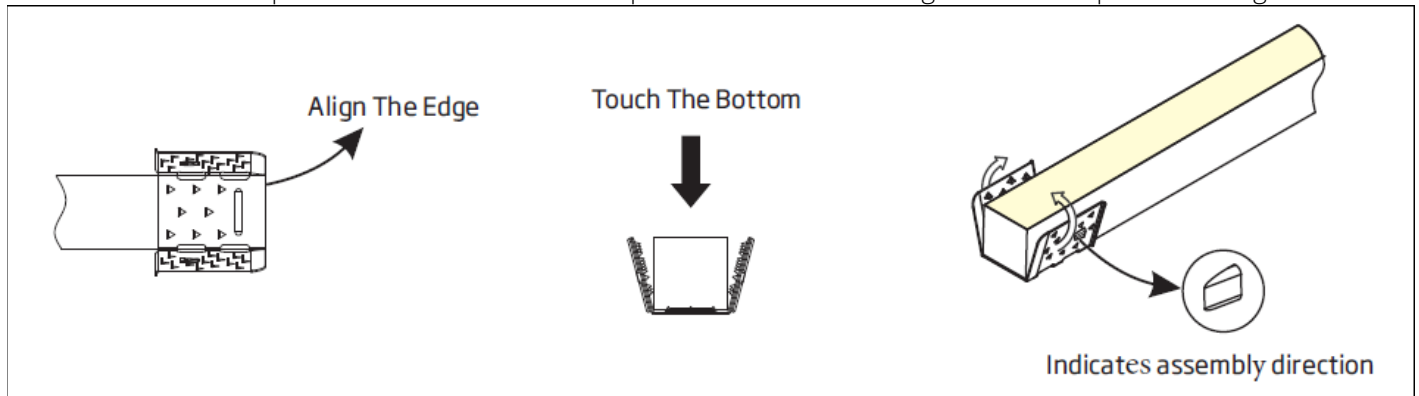
Eluxtra™ products are exclusively available for purchase through Environmental Lights and City Theatrical.

ST End Caps

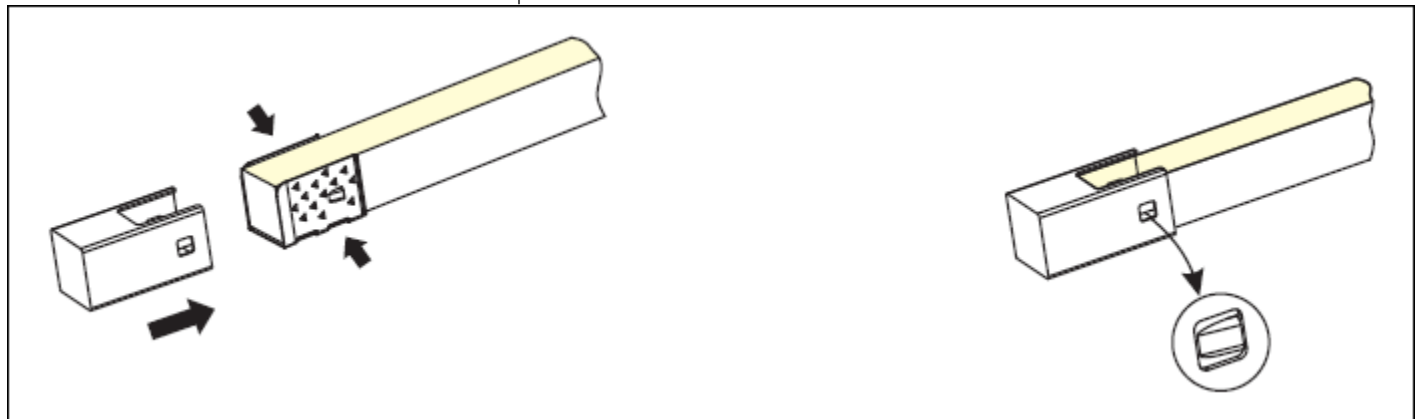
1. Components



2. Unfold the metal clip and then install the metal clip onto the neon ensuring that it lines up with the edge of the neon.



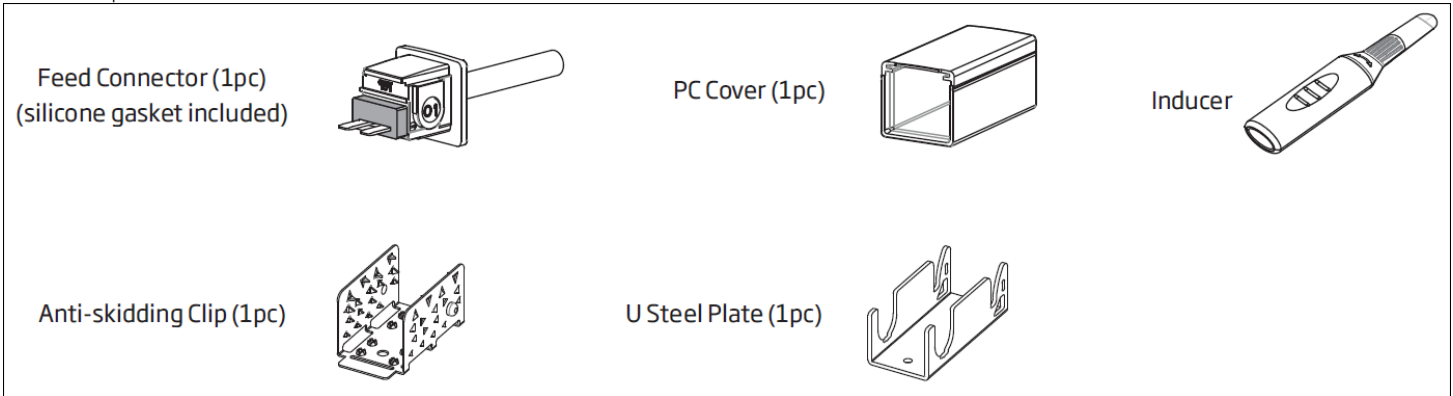
3. Slide the metal cover until it "clicks" into place.



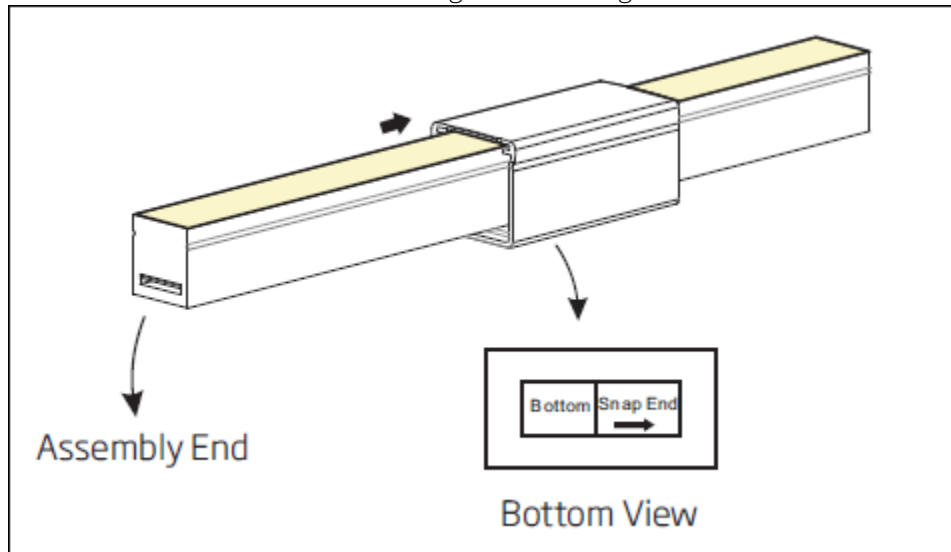
Eluxtra™ products are exclusively available for purchase through Environmental Lights and City Theatrical.

SP Jumpers

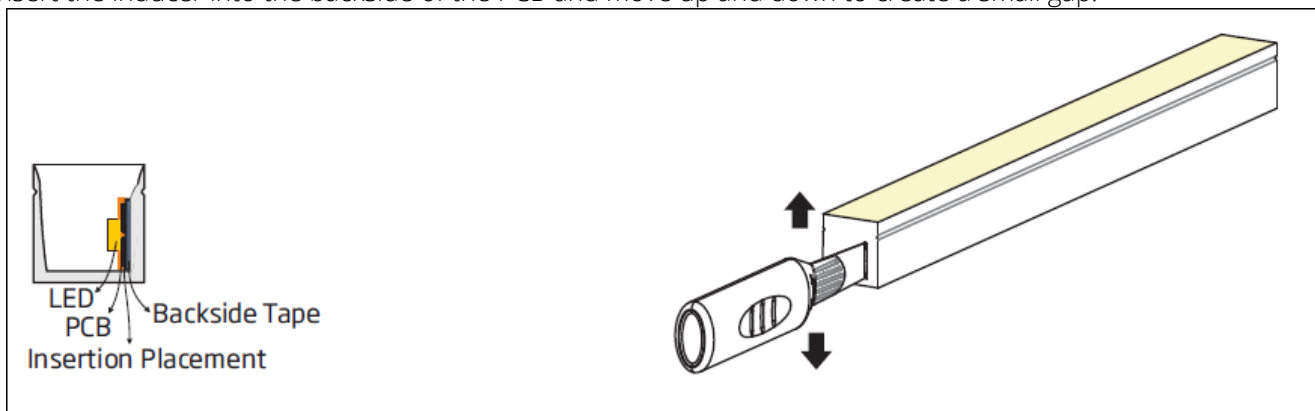
1. Components



2. Place PC cover around neon in the direction according to its marking.

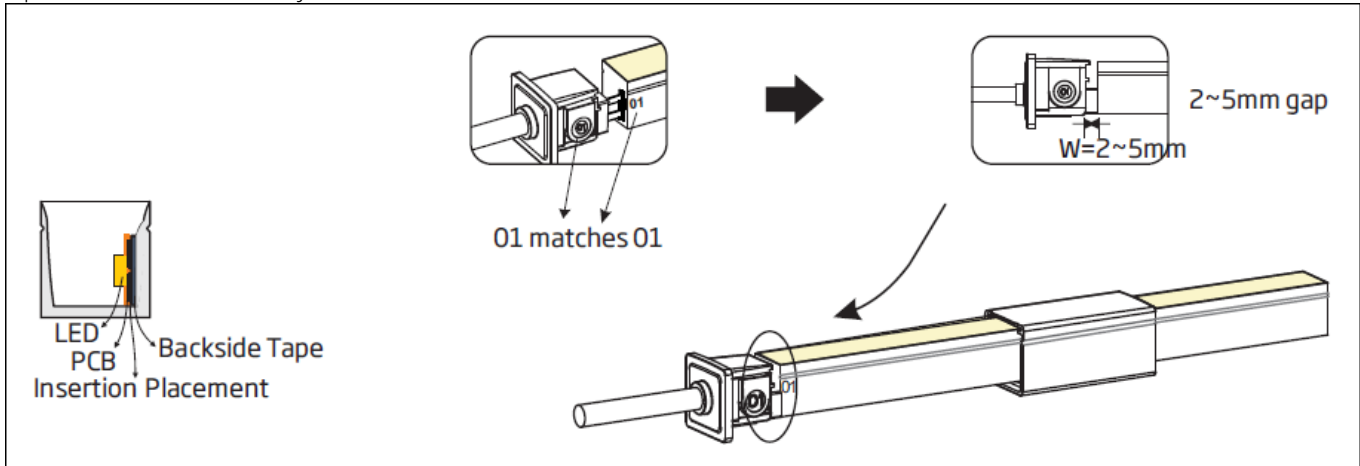


3. Insert the inducer into the backside of the PCB and move up and down to create a small gap.

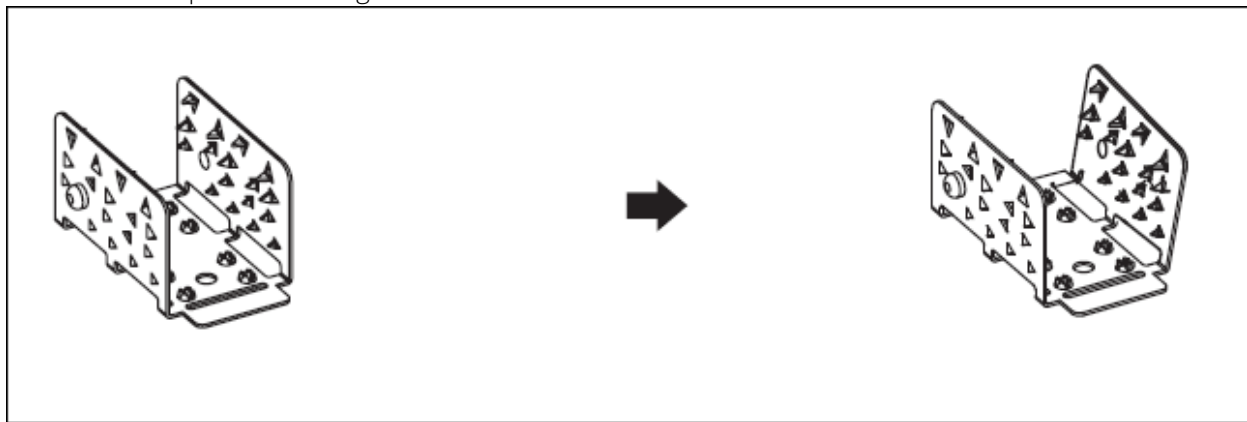


Eluxtra™ products are exclusively available for purchase through Environmental Lights and City Theatrical.

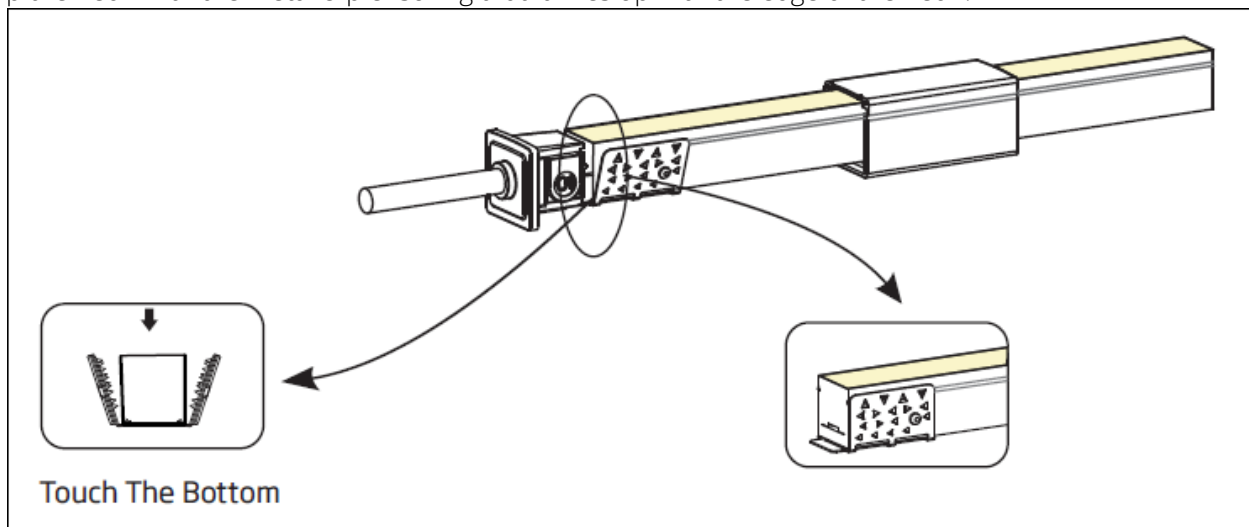
4. Insert the connector pins into the gap created by the inducer on the backside of the PCB, and push in, leaving 2-5mm of space from the assembly end.



5. Unfold the metal clip about 20 degrees on each side.

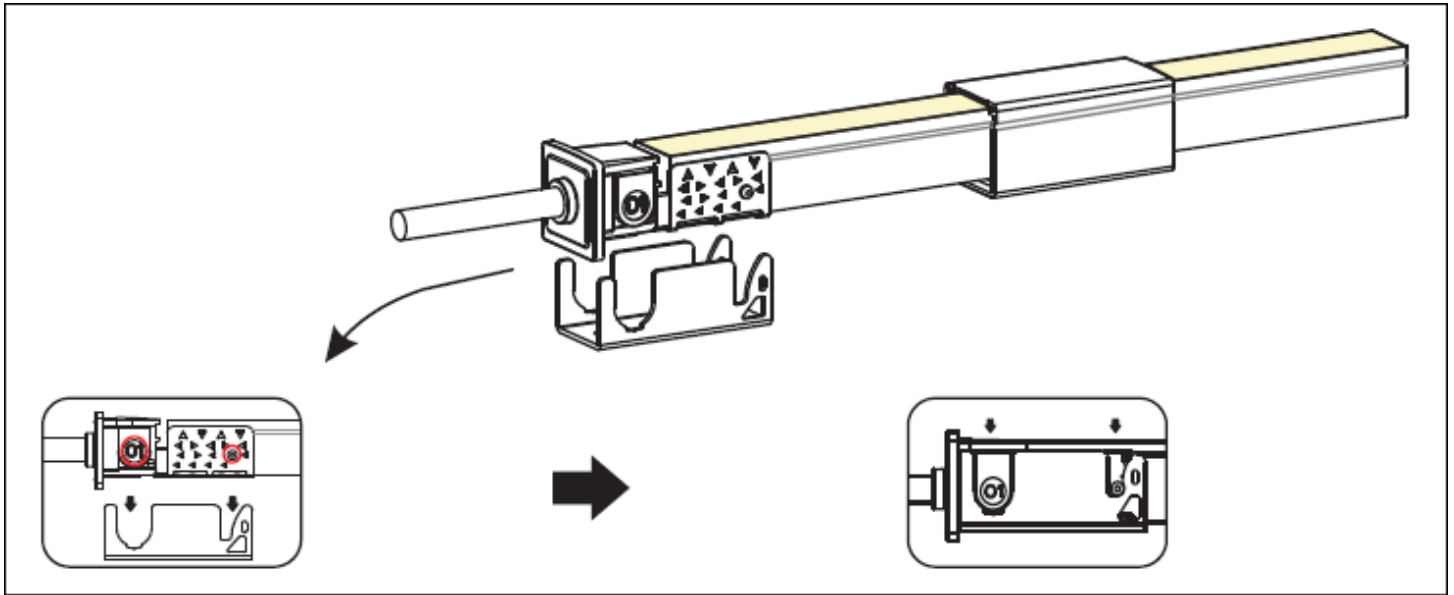


6. Wrap the neon with the metal clip ensuring that it lines up with the edge of the neon.

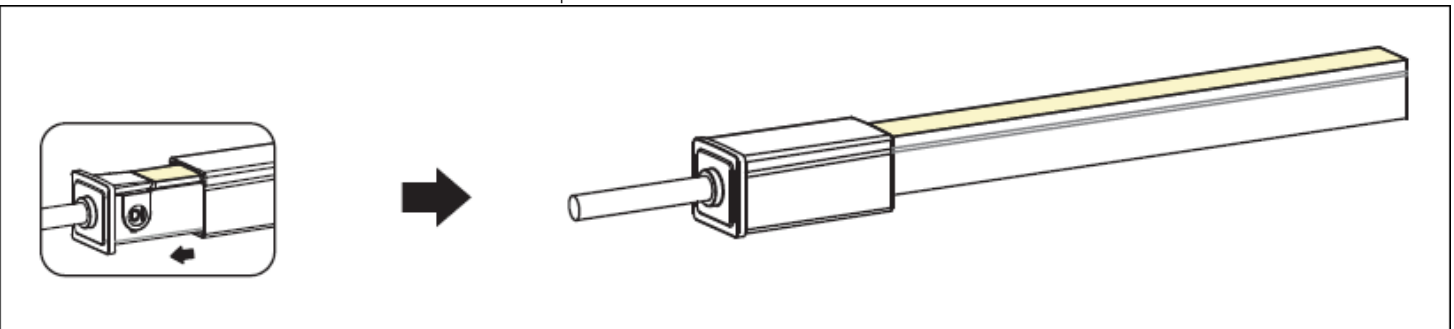


Eluxtra™ products are exclusively available for purchase through Environmental Lights and City Theatrical.

- Align the connector and metal clip with the notches of U steel plate and press connector and neon down at the same time.



- Slide back the PC cover until it "clicks" into place.



Eluxtra™ products are exclusively available for purchase through Environmental Lights and City Theatrical.