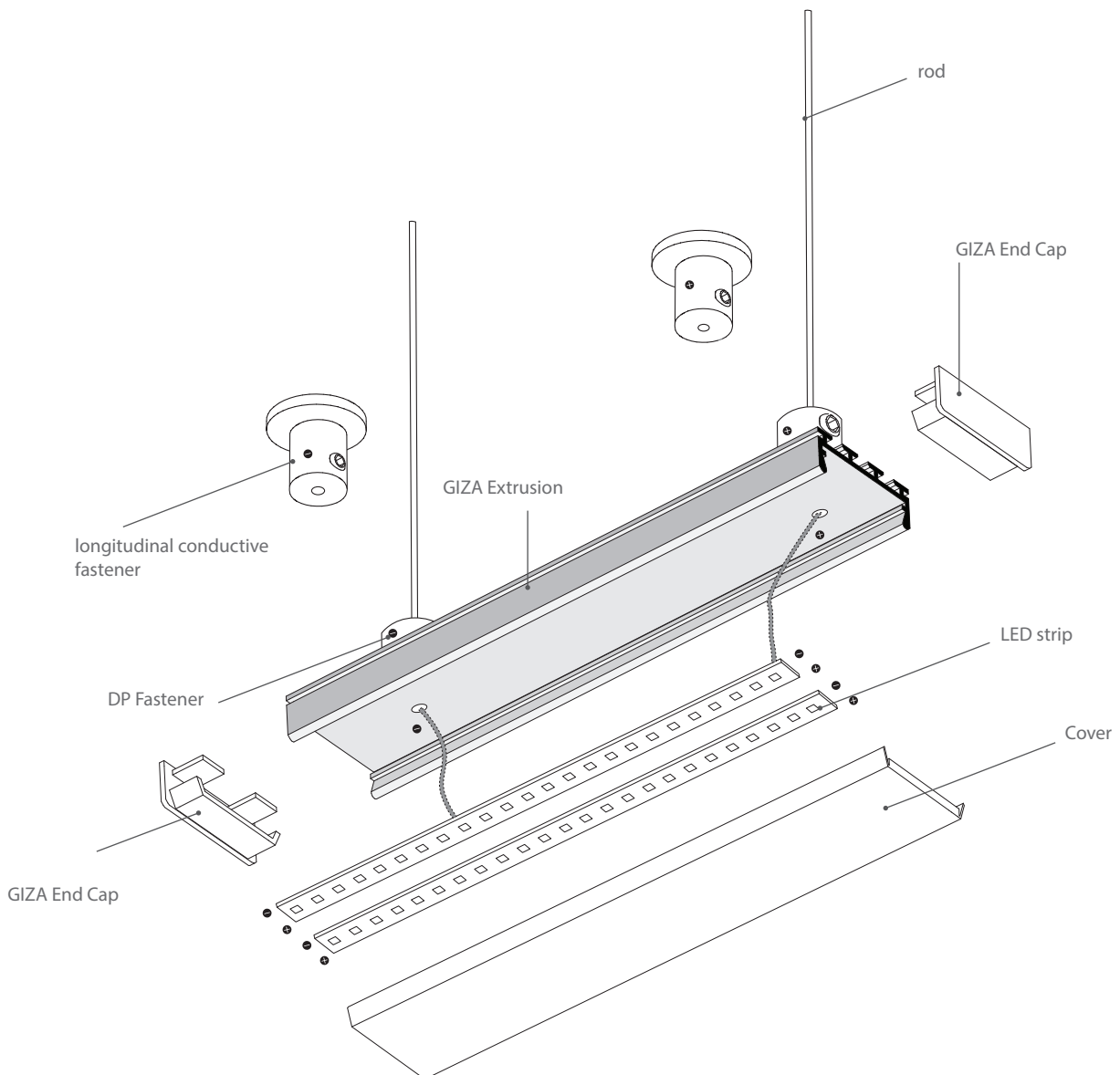
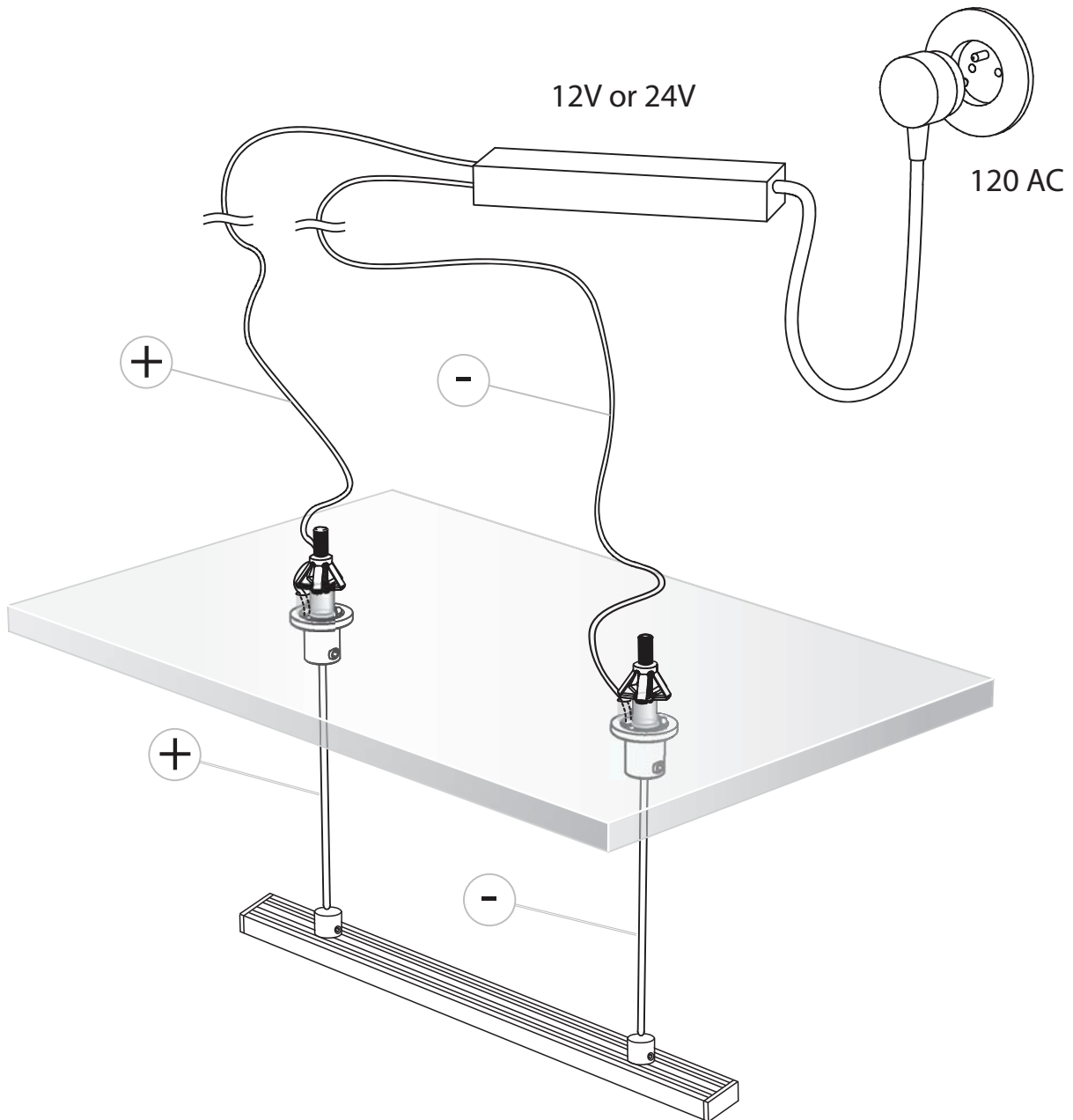




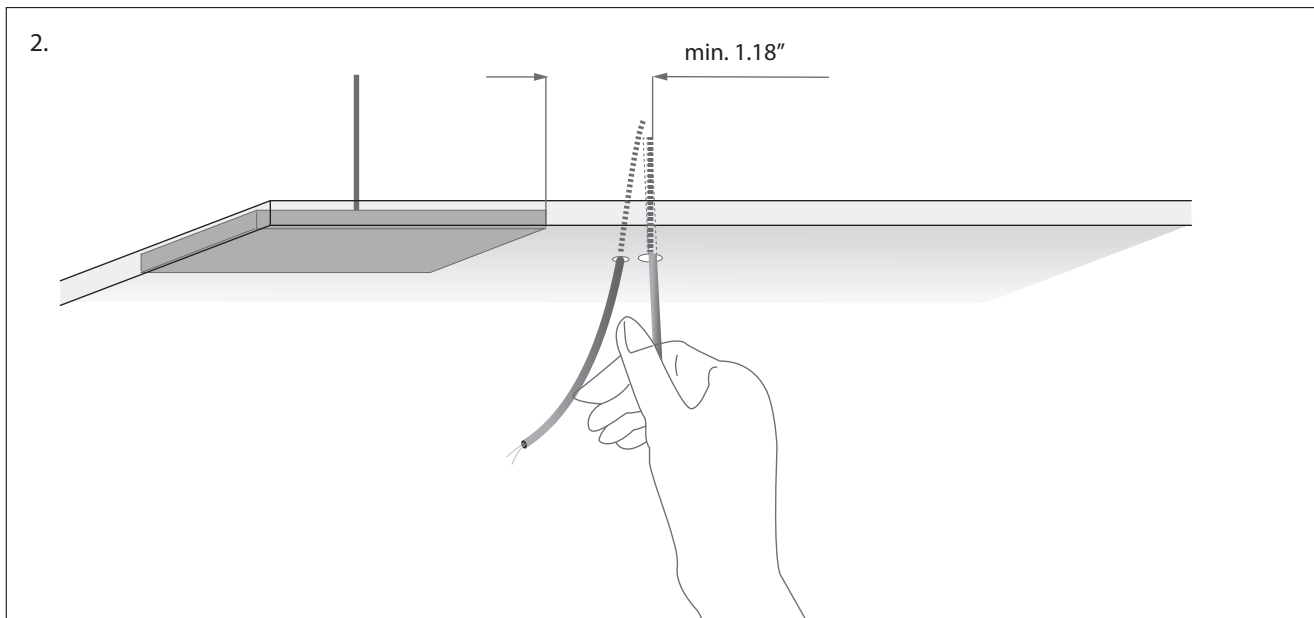
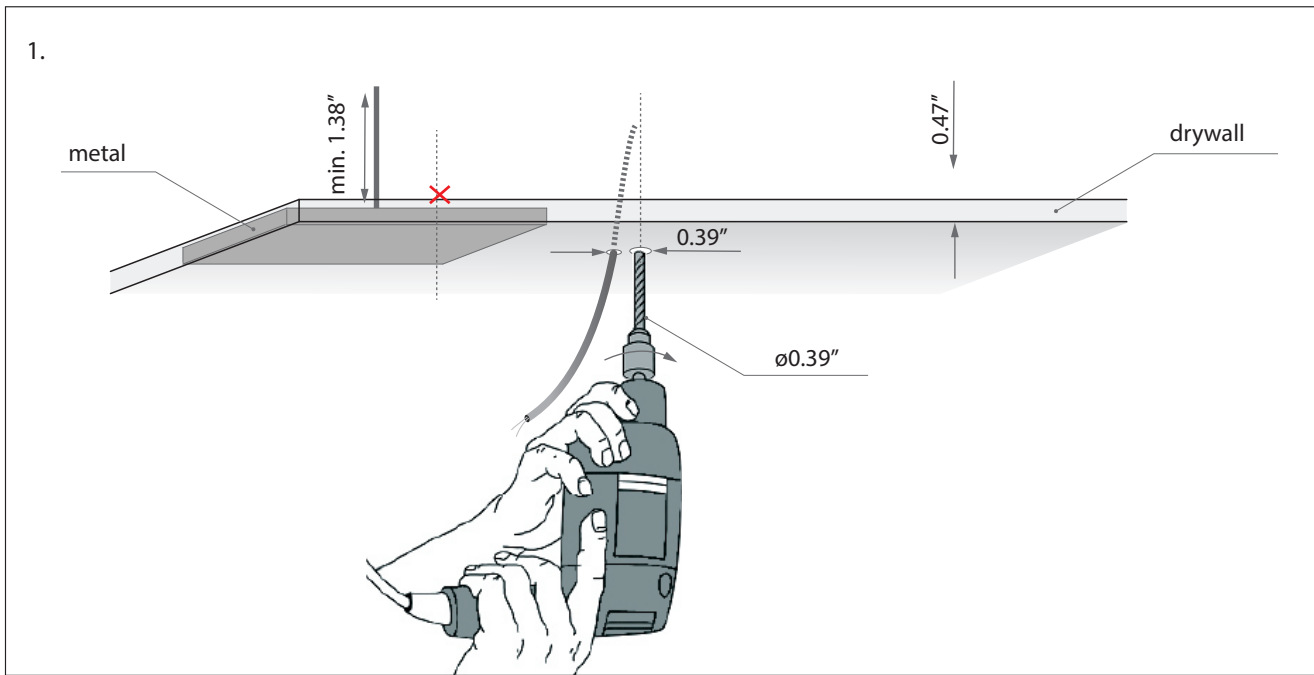
Basic fixture components

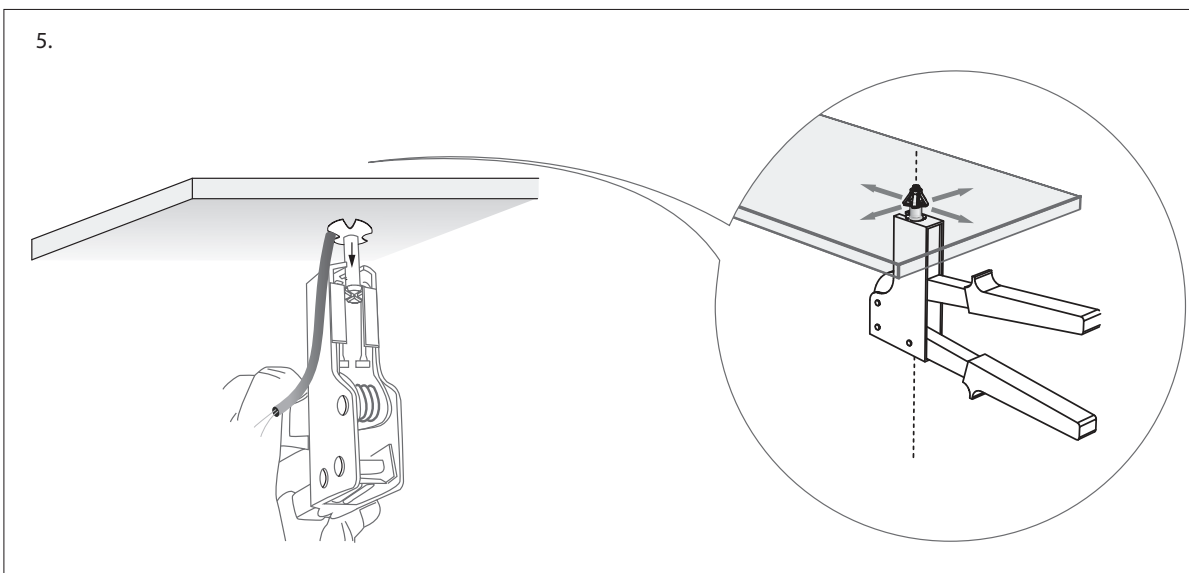
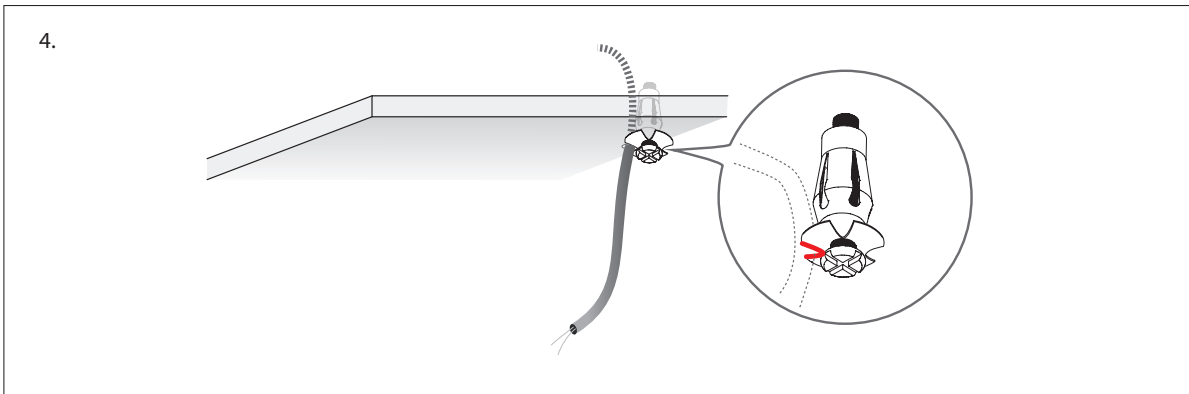
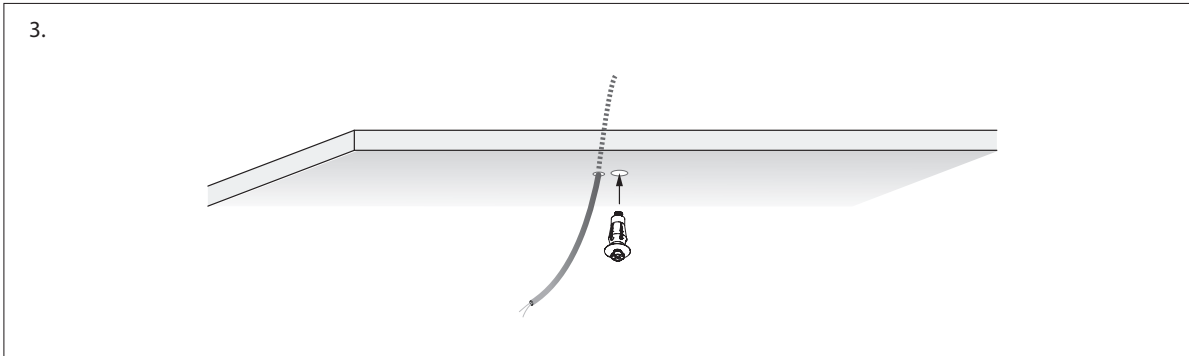


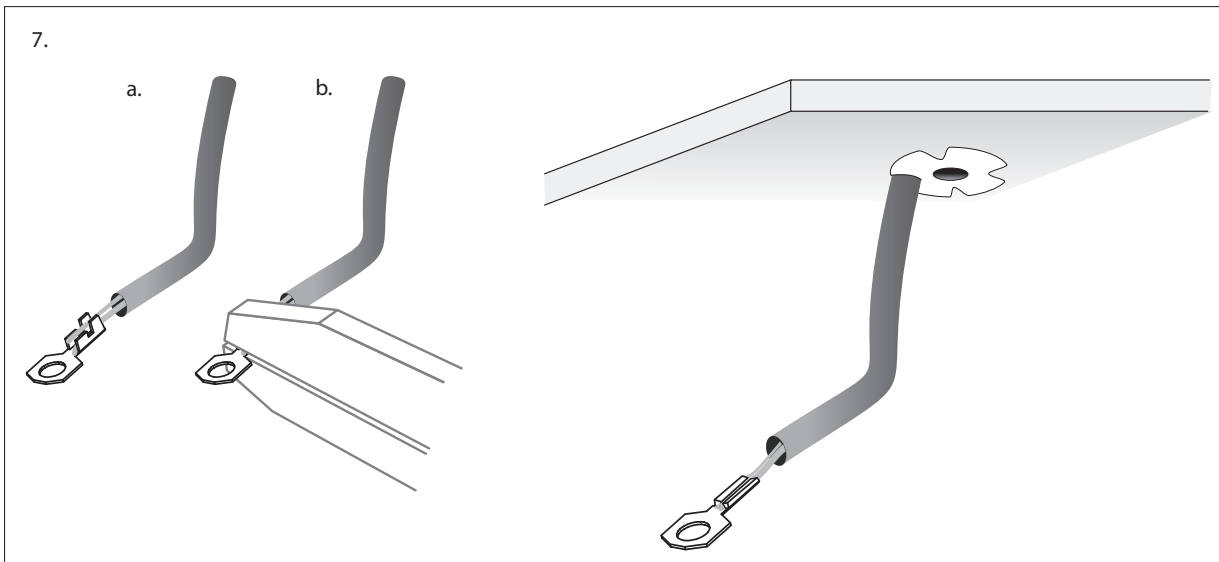
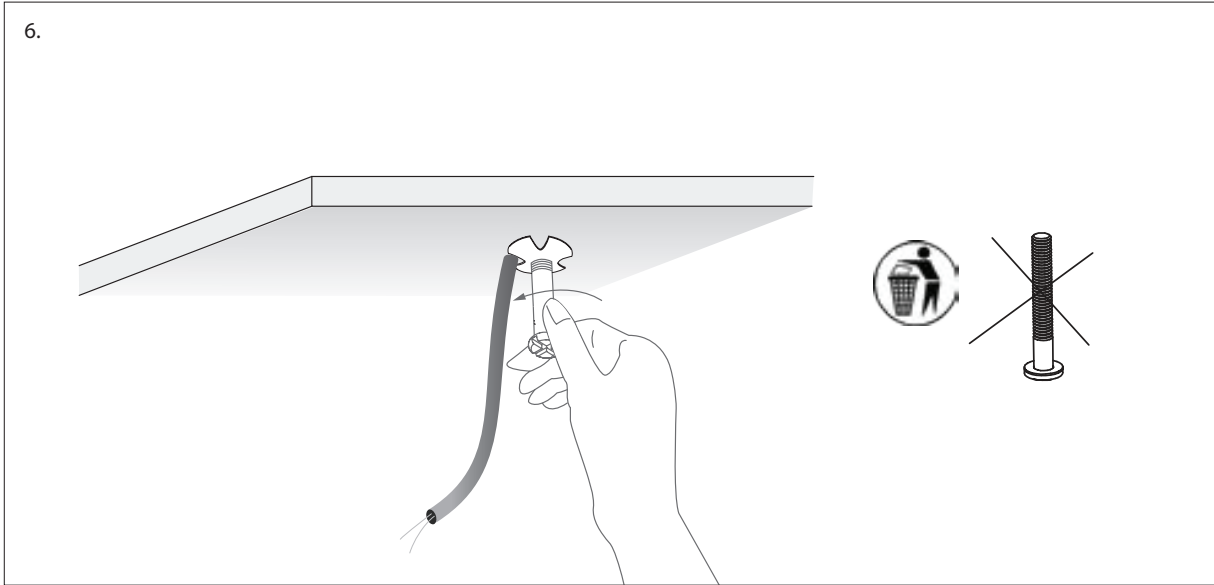
Wiring diagram

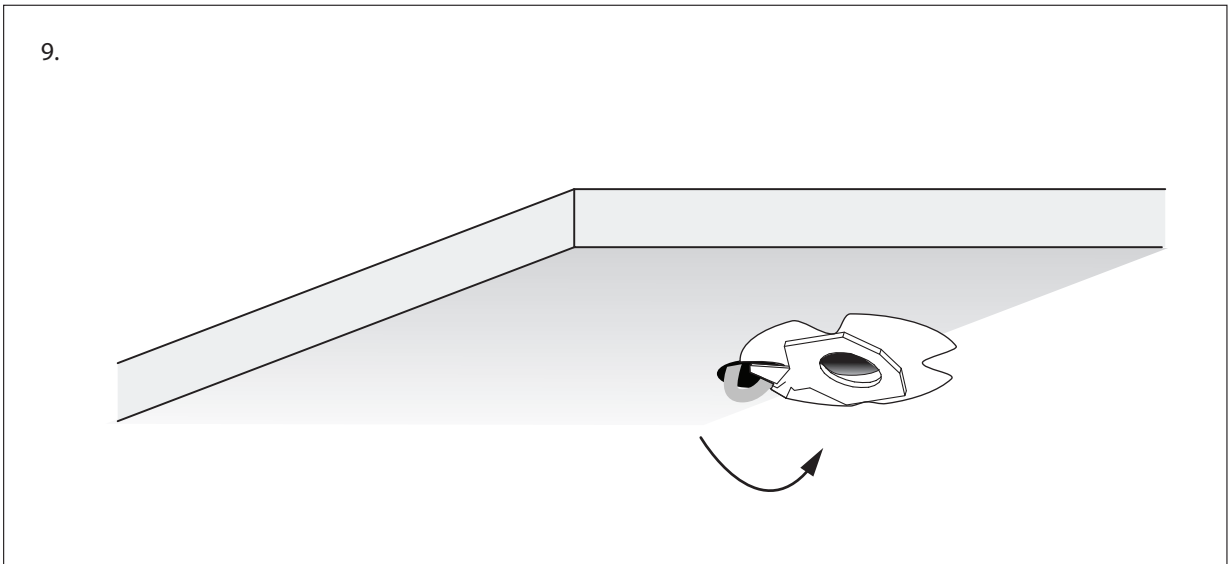
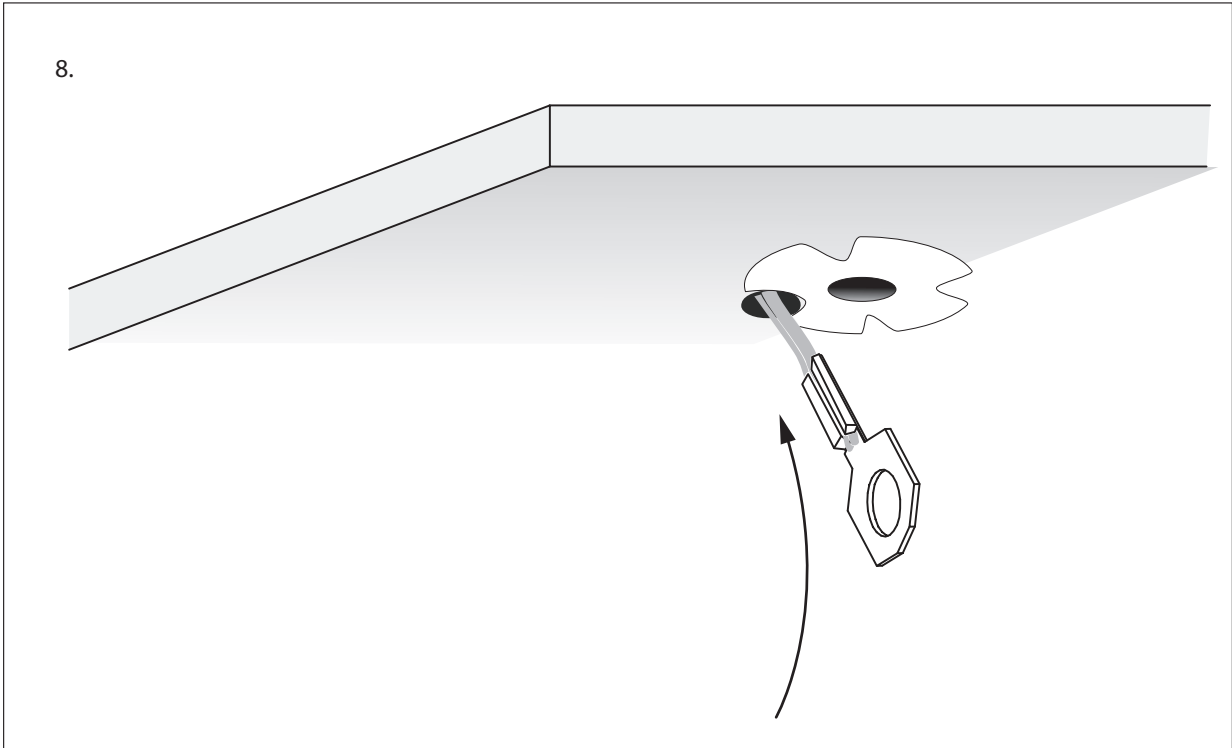


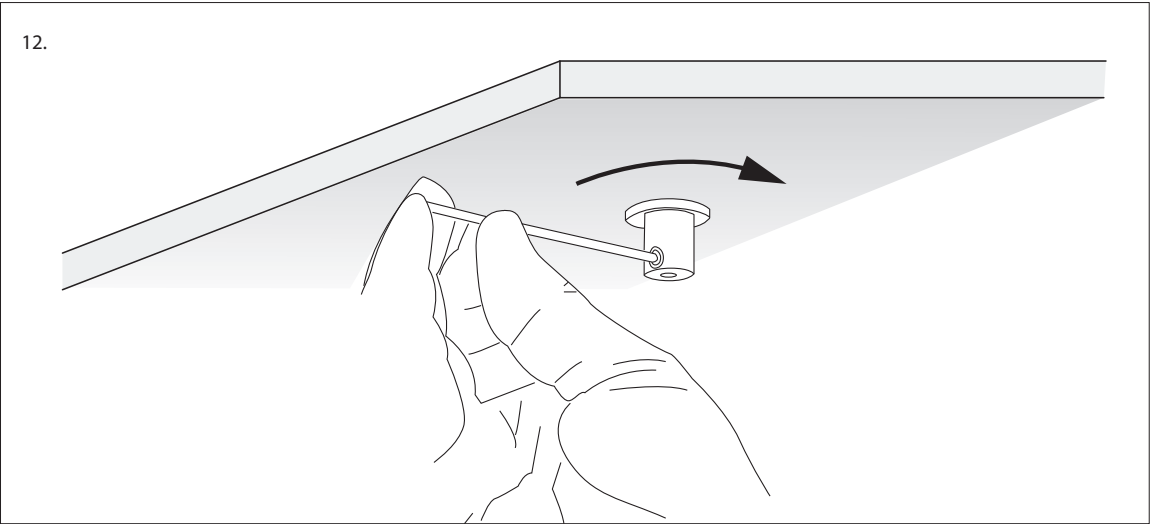
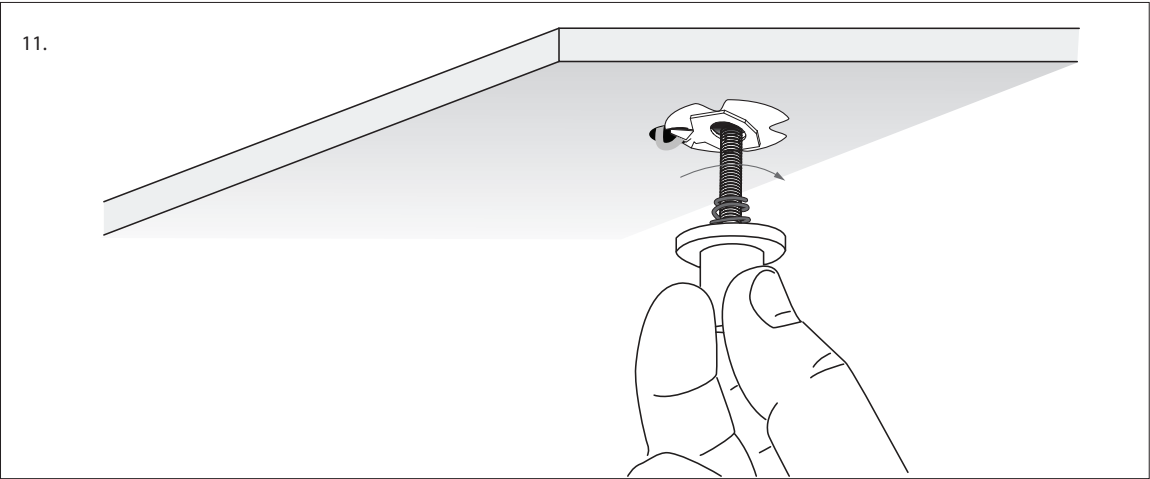
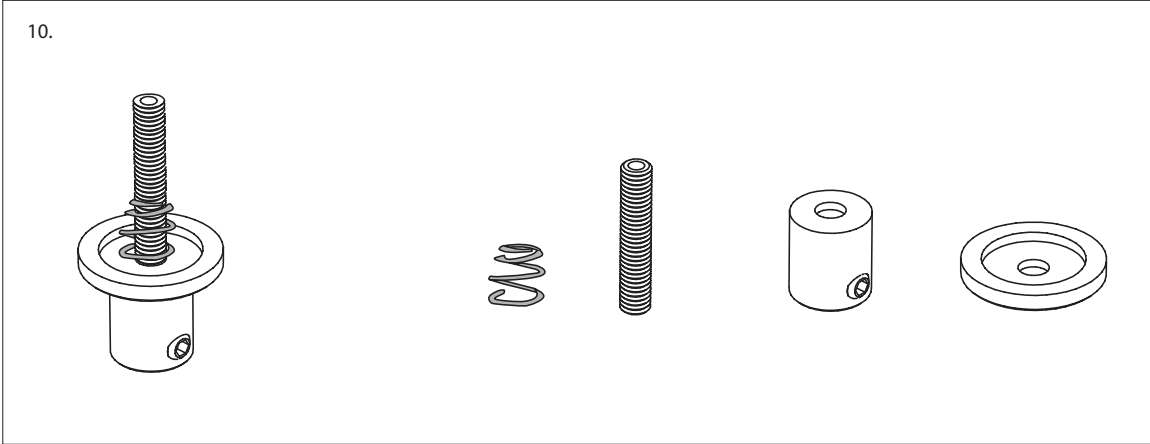
Mounting Instruction





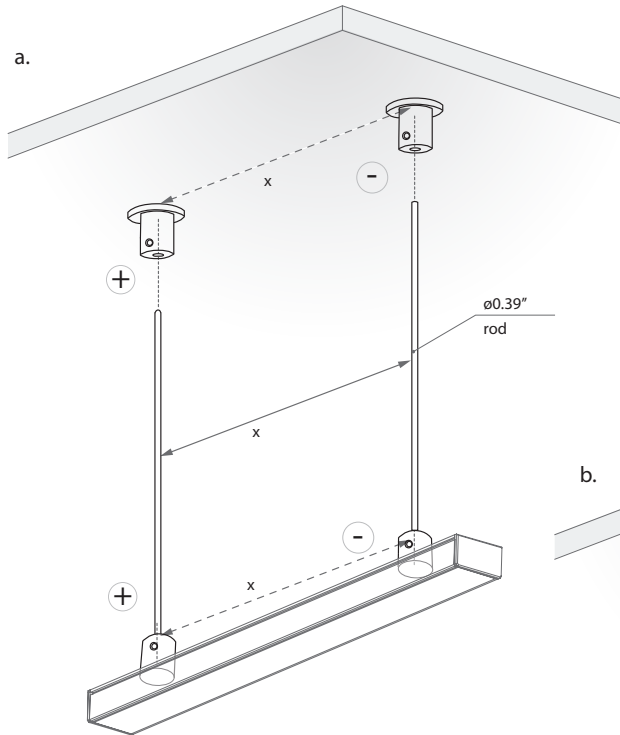






13.

a.



b.

