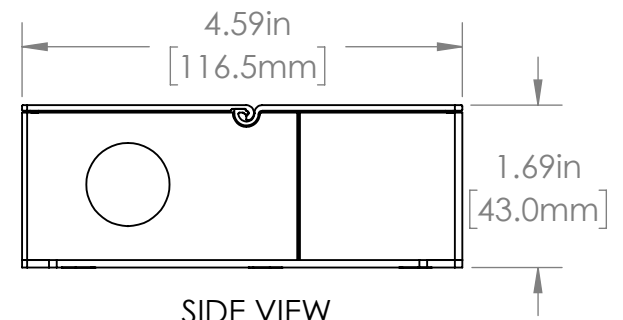
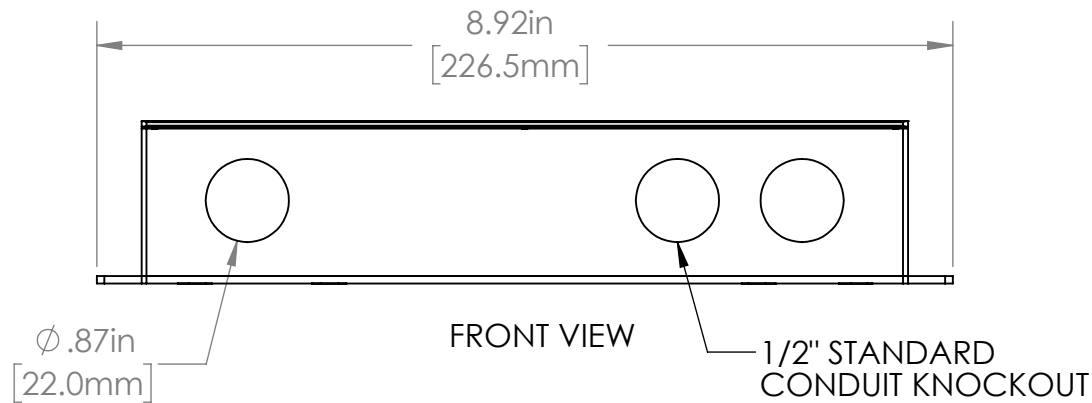


ISO VIEW



SIDE VIEW

DRIVER SPECIFICATIONS	
NOMINAL INPUT VOLTAGE	110-277VAC
MAX WATTAGE	60W
NOMINAL VOUT	24VDC
IP RATING	-
CERTIFICATION	UL,cUL, CSA, FCC, ROHS

TOLERANCES

PROPRIETARY AND CONFIDENTIAL

THE INFORMATION CONTAINED IN THIS DRAWING IS THE SOLE PROPERTY OF ENVIRONMENTAL LIGHTS. ANY REPRODUCTION IN PART OR AS A WHOLE WITHOUT THE WRITTEN PERMISSION OF ENVIRONMENTAL LIGHTS IS PROHIBITED.

NAME	DATE
J. PEREZ	5/11/2023
DRAWN BY	
COMMENTS:	

EL PART NO.
DMU-24-60 - A1

SCALE: 1:2 WEIGHT:

REV
A1

SHEET 1 OF 1