

ATX LED

Recessed LED – Low Voltage
660 mA, dimmable
Direct Current Controlled

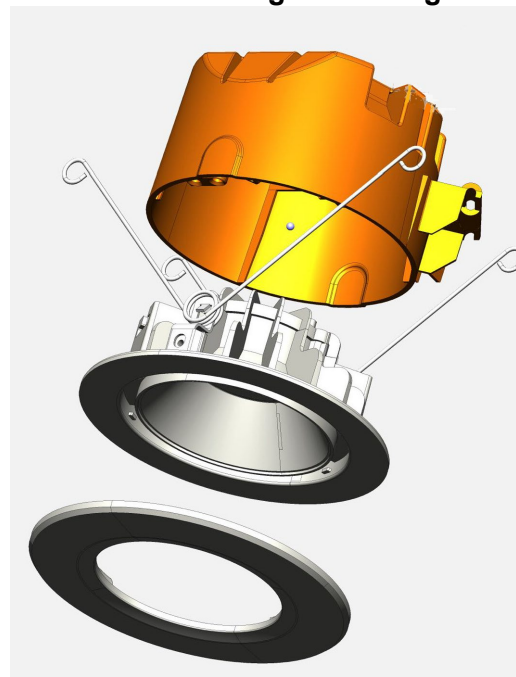
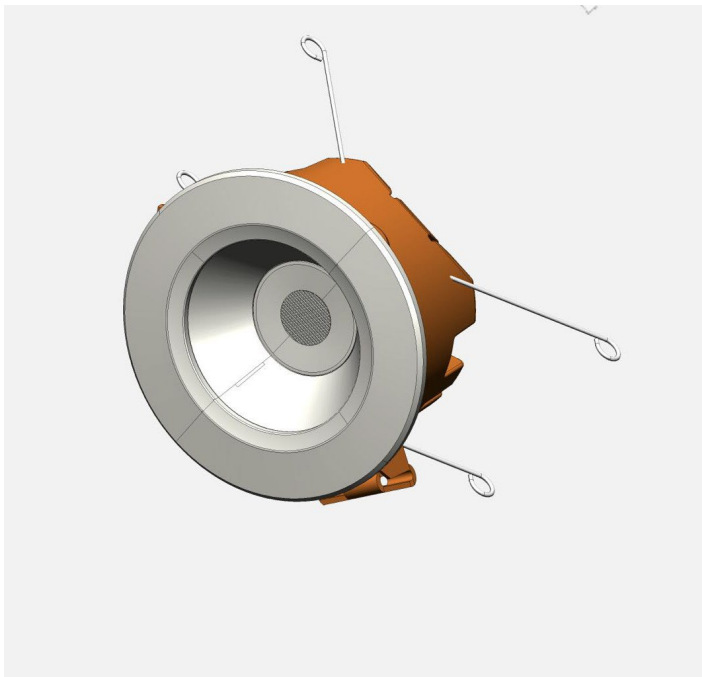
DL-120

IC Rated

UL Listed E522252

Bright LEDs, Cool operation

Low Voltage mounting solution



[Product Description - recessed long life LED fixture with exchangeable trim](#)

This LED fixture offers high lumen output, recessed point light source, and safe low voltage operation.

Operating at 6 watts, with over 780 lumens, this LED fixture and CBOX4 mounting solution allows code compliant LED installations in single family or MDU with low voltage wiring. Because all the power in goes to the LED (there is no driver or electronics involved) and because the COB LED source is not diffused – the Lumen output is comparable to 10 watt 120 VAC fixtures.

Technical specifications

CRI	90 and better
Dimming	0 to 100%, flicker free, no artifacts
Operating Wattage	6 Watts
Operating current	0 to 720 mA total of current in both channels, can mix for color control
Maximum wattage	7 watts
Lumens	780
Color Temperature	6 options available
Operating Voltage	7.5 to 9.0 volts
Recommended wiring	Series, 4 or 5 fixtures in series sharing one driver
Constant Voltage	do not use Constant Voltage
Operating Temperature	Ceiling mount, -20 to 50 Deg C non condensing
IP Rating	IP65 Suitable for indirect water exposure
IC Rated	Yes, when used with CBOX4

Color Temperature options

Available in 6 different color temperatures, this fixture can be operated as a fixed color, or tunable white fixture. Any 660 mA current source can be used. Up to 5 fixtures can be wired in series to share one driver. That driver can be located up to 150 ft from the LEDs – since constant current eliminates the concerns about voltage drop.

This 6 watt device can be installed as either tunable white or fixed color. Connecting both inputs in parallel will generate the color CCT marked #. .

Model	2700	3000	3500	3850	4000	5000
DL-120	•			#		•
DL-120C		•	#		•	
DL-120-3500			•			

Ordering part numbers

Model	Voltage	Current	CCT	CRI	Lumens	Note
DL-120	7.5-9	0-660mA	2700K 3850K 5000K tunable	90	780	warm side used 2700+5000 combined cool side used from 2700 to 5000K
DL-120C	7.5-9	0-660mA	3000K 4000K tunable	90	780	warm side used cool side used from 3000 to 4000K
DL-120-3500K	7.5-9	0-660mA	3500K	90	780	
DL-100	7.5-9	0-660mA	2700K 3350K 4000K tunable	90	540	Sheetrock Mounting only 90 mm trim

360 mA operation

This 6 watt LED can be installed for 360 mA operation for use with 360 or 300 mA drivers. The total power is 6 watts at 3850 CCT for the DL-120 and DL-100 and 3500 CCT for the DL-120C. The voltage increases from 9v to 18v in this method.

Trim Options – customize the shape and color

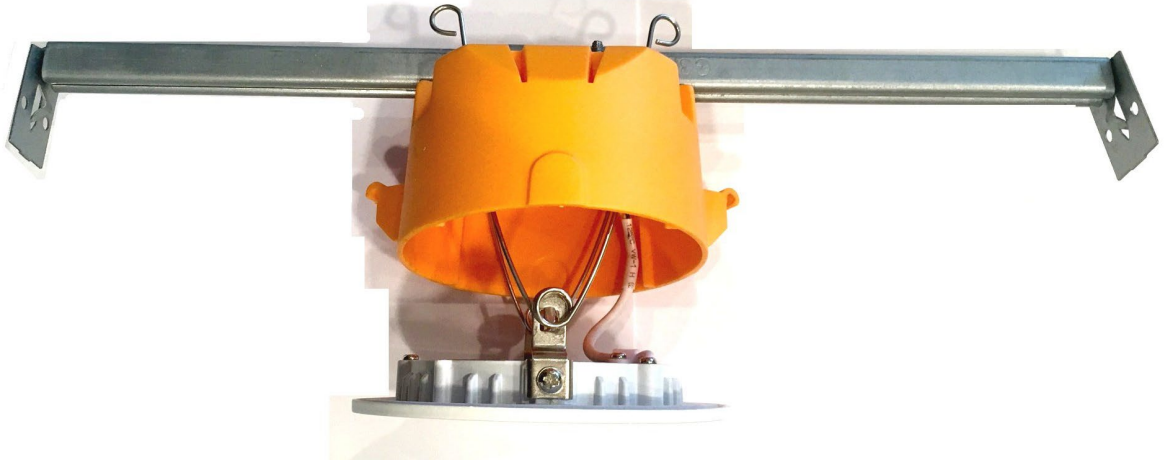


Shape	White	Silver	Black
Round	X	X	X
Square	X	X	X

Ceiling mount Options

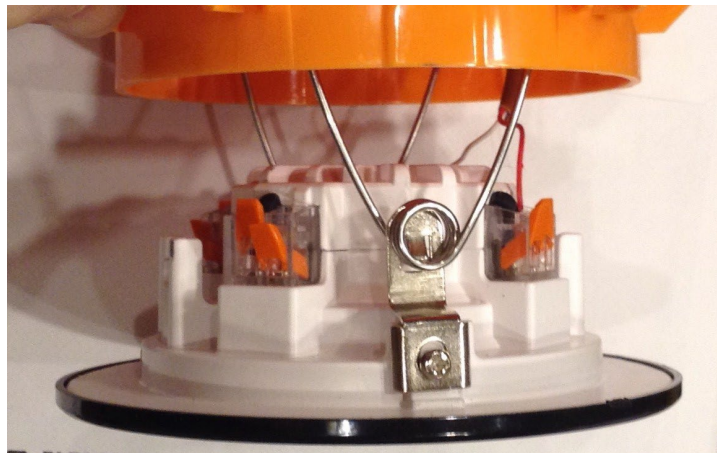
You can use our Rough In box, or you can mount directly to sheetrock.

AL-CBOX4



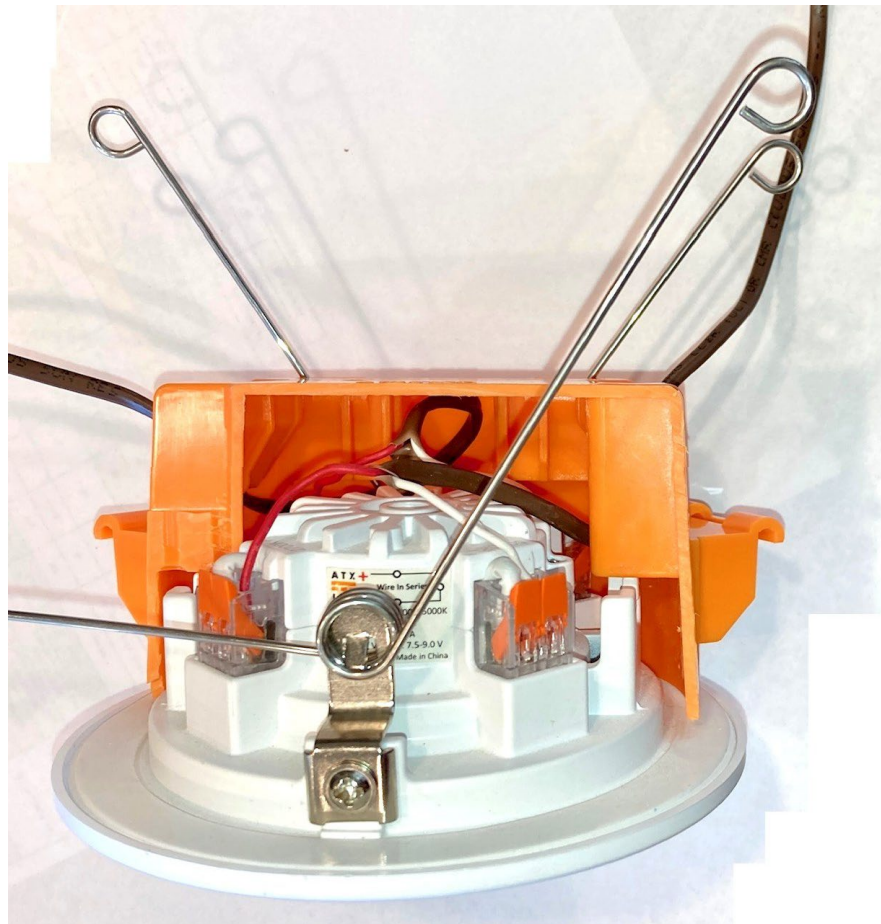
CBOX4 mounting hanger bar

16 to 24 inch joist spacing
Supports up to 20 lbs



Detail of insertion

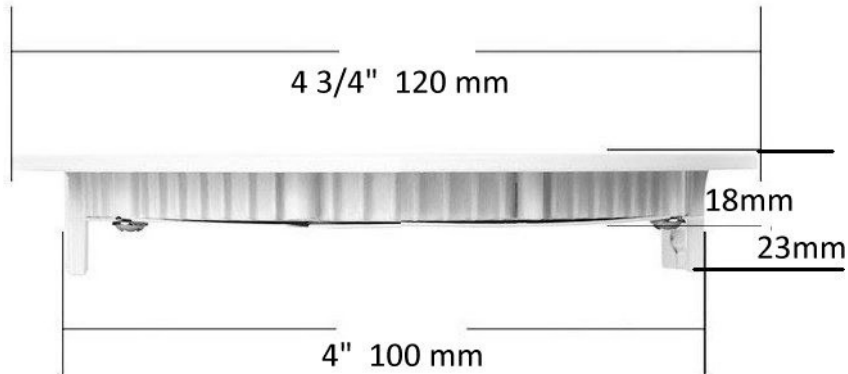
Cutaway Side View



[Direct to Sheetrock](#)

[DL-120 120 mm trim and 100 mm hole](#)

Hole sizes are the same as the P023R6 type Fixture
Body Height is 45 mm from trim plate, Extended spring is 65 mm



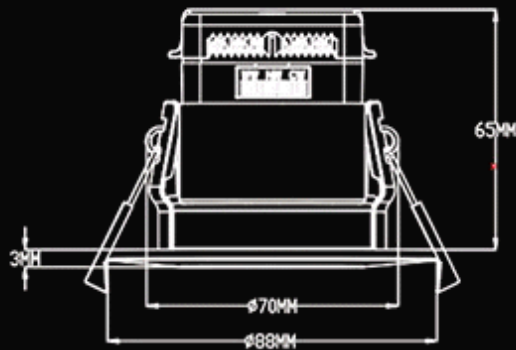
P023R6 / DL-120 are the same diameter



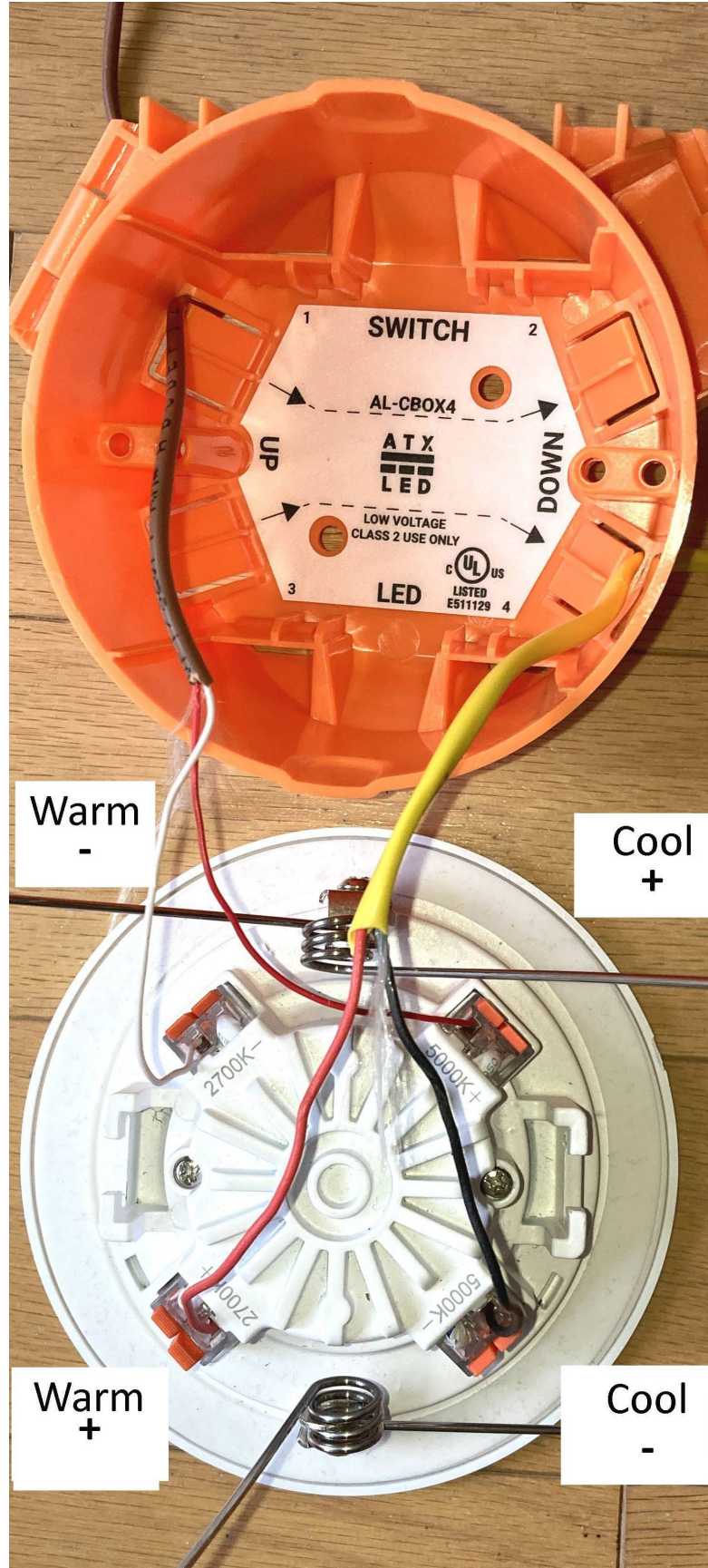
[DL-98B – 90 mm trim, 70 mm hole](#)

Body Height is 65 mm from trim plate, Extended spring is 80 mm

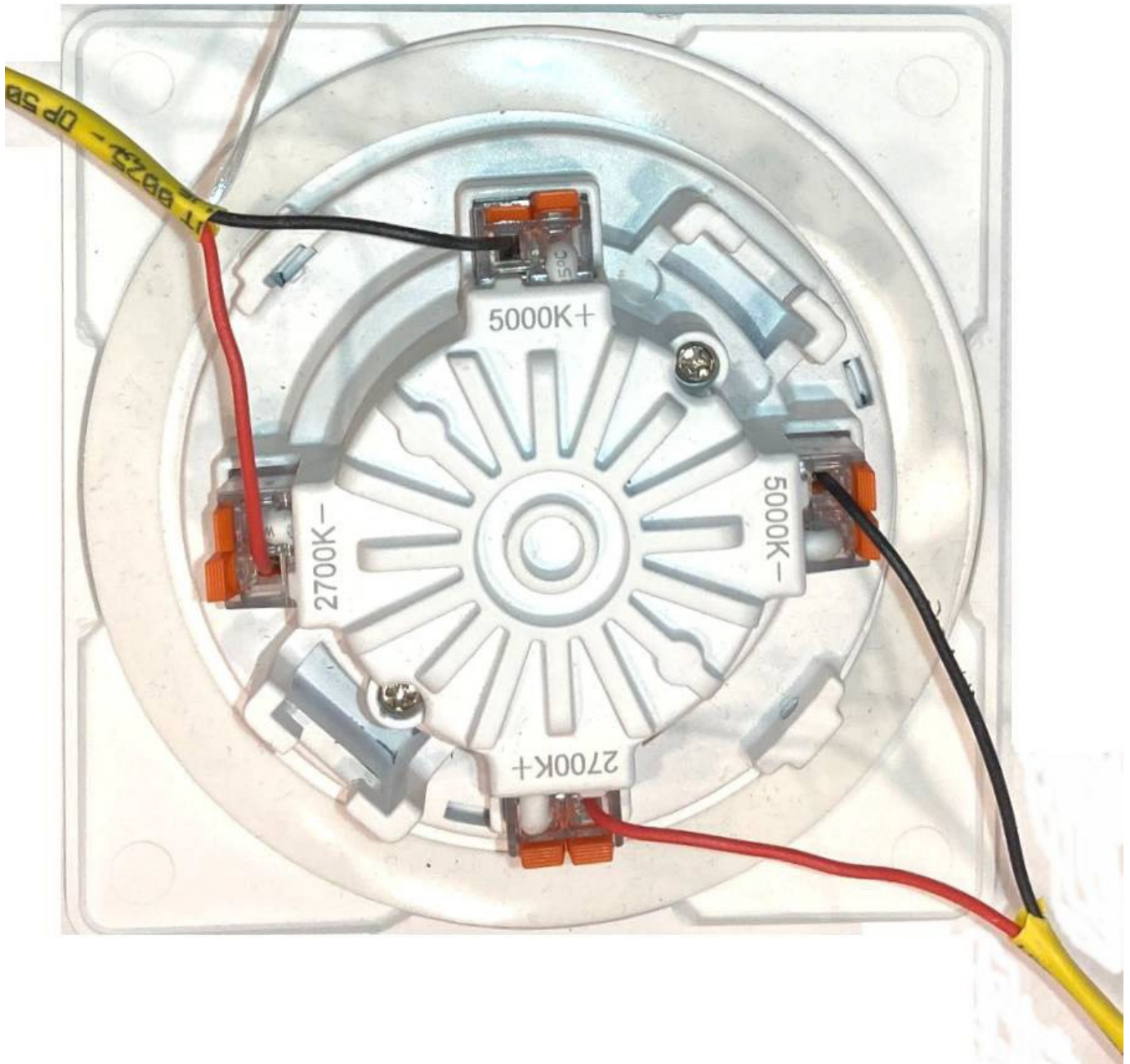
8W Fire Rated LED Downlight



Device Wiring



<- Up to the previous LED



Down to the next LED ->

Unlike the P023 series, the DL-120 has the lever nuts built in.

Recommended DC Drivers with Dimming

N=# of LEDs

DC drivers *	Fixed Color	Tunable White	WiFi	DALI
AL-WS-DR1	5			
AL-WS-DR2	10	5		X
AL-WS-DR2C	10	5		
AL-WS-DR2W	10	5	X	
AL-WS-Bath	5			
LDD-600H	5			
LDD-600HDA	5			X

*51 volt DC input ** no dimming

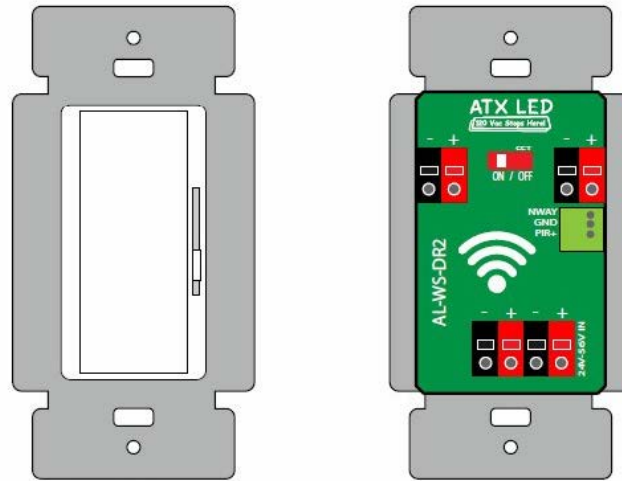
Examples of AC Drivers with Dimming

N=# of LEDs

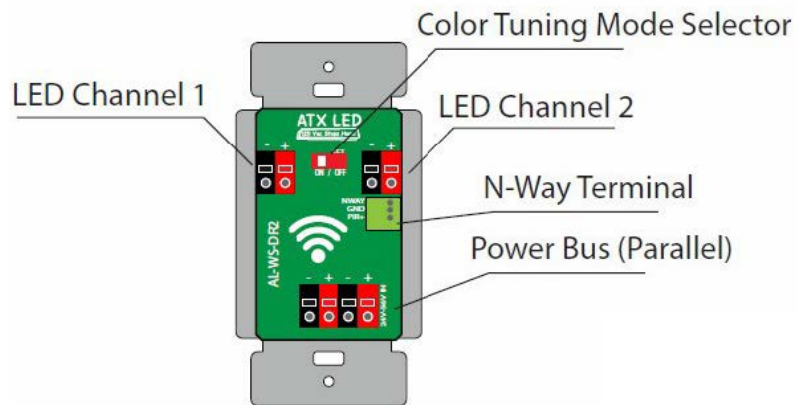
AC drivers from 120 / 240 vac to DC current	Watts	Fixed Color	Tunable White	0-10v	DALI	DMX
SMT-086-0700CM	35 / 48v	9			X	
SR-2309-75CCT	75 / 48v		5		X	
WP-80-40A-2AM	75 / 36v	8	4	X		
DMX-50-500-1750	50 / 48v	6				X

Meet the DR2

The DR2 is the heart of the entire system. From the front it looks like a typical style wall switch with a slide dimmer. This is where the driver for the LEDs is located. The DR2 uses current control technology to provide perfect dimming to each of its corresponding LEDs. There are several different types of DR2 available, depending on application.



Front



E26 bulbs also available



ATX-E26



RL-E26



RL-E12