

45-ALU Extrusion

Ref. A04023



- Installation in corners
- Lighting angle: 45 Degrees
- Good heat dissipation
- Wide range of accessories

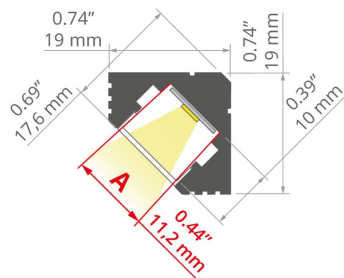
APPLICATION

- furniture, functional and decorative lighting

MOUNTING

- to the surface, using dedicated accessories, mounting adhesive or double-sided adhesive tape
- easy assembly and disassembly by snapping in and out

TECHNICAL DRAWING



ADDITIONAL INFORMATION

- standard lengths of KLUŠ profiles and covers: 1000 mm (tolerance ± 1.5 mm) and 2005 mm / 3010 mm (tolerance + 5 mm); for selected covers: 6050 mm, 10050 mm (tolerance + 5 mm)
- when choosing a different length of profiles / covers than available in the standard, you should additionally choose the cutting service at KLUŠ

TECHNICAL SPECIFICATIONS

Material	aluminum
Possible fixture IP	20, 67
Possible fixture shapes	linear
Profile cross-section	angled
Width	0.7"
Height	0.7"
LED gluing width A	0.4"
Number of LED strips A (0.31" wide)	1
Width of the glow	11.2 mm
Max power of a single KLUŠ LED strip	24 W/m
Lighting at an angle	45
Possibility of obtaining a line of light	yes
Building type	Residential, Retail, Hotel / Restaurant, Entertainment/ Arts, Other
Facility zone	office, kitchen, bathroom, furniture, niche/cove, advertising / POS, shop windows and exhibition

Color	Length	Ref
■ silver anodized	39.4"	A04023A_1
	78.9"	A04023A_2
	118.5"	A04023A_3
■ silver non anodized	39.4"	A04023N_1
	78.9"	A04023N_2
	118.5"	A04023N_3
■ black anodized	39.4"	A04023A07_1
	78.9"	A04023A07_2
	118.5"	A04023A07_3
■ black lacquered	39.4"	A04023L07_1
	78.9"	A04023L07_2
	118.5"	A04023L07_3
□ white lacquered	39.4"	A04023L10_1
	78.9"	A04023L10_2
	118.5"	A04023L10_3
	39.4"	A04023L10OD_1



- Recommended for the construction of sealed lighting fixtures

APPLICATION

- LED protection and light diffusion in lighting fixtures

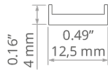
MOUNTING

- to the extrusion, by pressing

ADDITIONAL INFORMATION

- standard lengths of KLUŠ profiles and covers: 1000 mm (tolerance ± 1.5 mm) and 2005 mm / 3010 mm (tolerance + 5 mm); for selected covers: 6050 mm, 10050 mm (tolerance + 5 mm)
- when choosing a different length of profiles / covers than available in the standard, you should additionally choose the cutting service at KLUŠ

TECHNICAL DRAWING



TECHNICAL SPECIFICATIONS

Material	PC
Shape	flat
Maximum length on request	118.1"
Width	0.5"
UV resistance	yes

Finish	Light transmission	Length	Possibility of obtaining a line of light	Ref
frosted	59 %	39.4"	yes	B17208F_1
		78.9"		B17208F_2
		118.5"		B17208F_3
clear	88 %	39.4"	no	B17208C_1
		78.9"		B17208C_2
		118.5"		B17208C_3

End cap 45-ALU

Ref. C20124C02, C20124C10, C20124C07

Ref. arch 1383, 20003, 24070



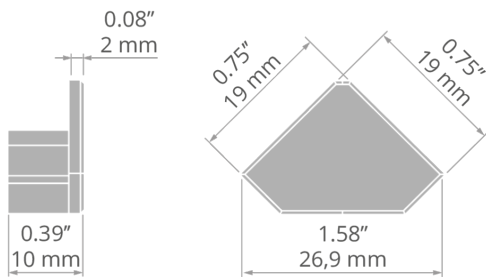
APPLICATION

- aesthetic finish and protection of the interior of the lighting fixture

MOUNTING

- to the extrusion, by pressing

TECHNICAL DRAWING



TECHNICAL SPECIFICATIONS

Material	PP
Shape	triangular
Height	0.75"
Width	0.75"
Corrosion resistance	yes
Corrosion resistance at high salinity	yes

Color	Ref
■ gray	C20124C02 1383
□ white	C20124C10 20003
■ black	C20124C07 24070

End cap 45-ALU-OTW

Ref. C20124C02TW, C20124C10TW, C20124C07TW

Ref. arch 1440, 21003, 24085



- Cable exit hole

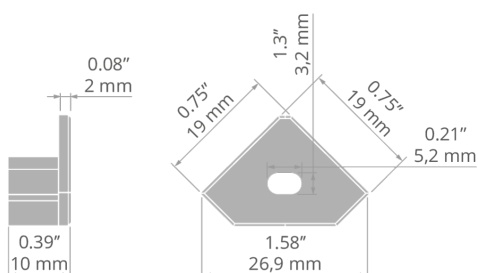
APPLICATION

- aesthetic finish and protection of the interior of the lighting fixture

MOUNTING

- to the extrusion, by pressing

TECHNICAL DRAWING



TECHNICAL SPECIFICATIONS

Material	PP
Shape	triangular
Height	0.75"
Width	0.75"
Corrosion resistance	yes
Hole	yes

Color	Ref
■ gray	C20124C02TW 1440
□ white	C20124C10TW 21003
■ black	C20124C07TW 24085

Mounting bracket 45-STN

Ref. C24144N00, C24262L07, C24265L10

Ref. arch 24144, 24262, 24265

- High mechanical and weather resistance

APPLICATION

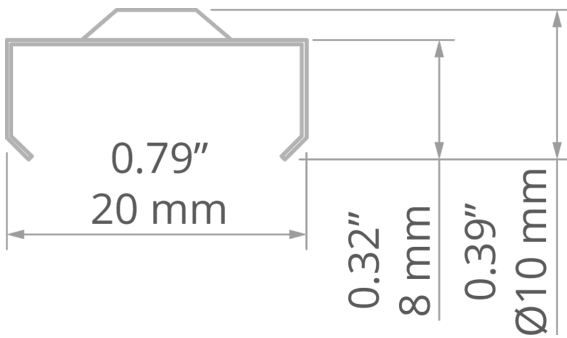
- for mounting LED lighting fixtures

MOUNTING

- to the surface, using a properly selected screw
- to the lighting fixture, with hooks
- easy installation and deinstallation of lighting fixtures by snapping in and out



TECHNICAL DRAWING



TECHNICAL SPECIFICATIONS

Material	stainless steel
Width	0.79"
Height	0.39"
Lifting capacity	19.8 lb

Color	Ref
■ silver	C24144N00 24144
■ black	C24262L07 24262
□ white	C24265L10 24265