



- Small bending radius
- Low height
- Wide range of accessories
- Luminaire direction adjustment

APPLICATION

- main, decorative and functional lighting

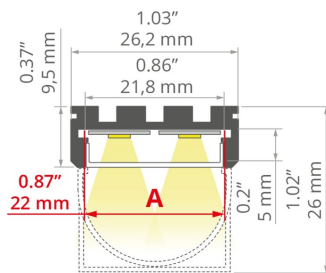
MOUNTING

- suspended, to the surface or recessed, using dedicated accessories, properly selected screws or a dedicated mounting track
- can be easily connected into runs and systems
- semi-round and square covers are cut to the length of the extrusion
- easy assembly and disassembly by snapping in and out

ADDITIONAL INFORMATION

- if an adapter is used, the cover must be shortened by 16 mm in relation to the extrusion length
- standard lengths of KLUŚ profiles and covers: 1000 mm (tolerance ± 1.5 mm) and 2005 mm / 3010 mm (tolerance + 5 mm); for selected covers: 6050 mm, 10050 mm (tolerance + 5 mm)
- when choosing a different length of profiles / covers than available in the standard, you should additionally choose the cutting service at KLUŚ

TECHNICAL DRAWING



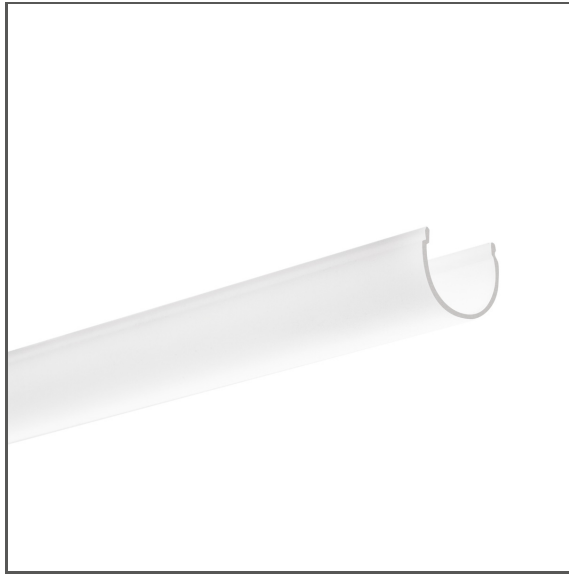
TECHNICAL SPECIFICATIONS

Material	aluminum
Possible fixture IP	20, 67
Possible fixture shapes	linear, polygonal, round
Profile cross-section	rectangular
Width	1"
Height	0.4"
LED gluing width A	0.9"
Number of LED strips A (0.31" wide)	2
Width of the glow	22 mm
Max power of a single KLUŚ LED strip	24 W/m
Lighting angle adjustment up to	150
Possibility of obtaining a line of light	yes
Possibility of bending	yes
Radius of the light arc	yes
Inward	200 mm
Outdoor	200 mm
Building type	Entertainment/ Arts, Hotel / Restaurant, Commercial, Retail

Color	Length	Ref
■ silver anodized	39.4"	A05556A_1
	78.9"	A05556A_2
	118.5"	A05556A_3
□ white lacquered	78.9"	A05556L10_2

G-22R Cover

Ref. B17006S, B17006T, B17006C, B17006B



- Resistance to weather conditions

APPLICATION

- LED protection and light diffusion in lighting fixtures

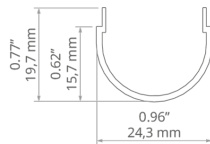
MOUNTING

- Snapped in a dedicated profile

ADDITIONAL INFORMATION

- ATTENTION! rigid cover, not intended for bending or deformation
- standard lengths of KLUŠ profiles and covers: 1000 mm (tolerance ± 1.5 mm) and 2005 mm / 3010 mm (tolerance + 5 mm); for selected covers: 6050 mm, 10050 mm (tolerance + 5 mm)
- when choosing a different length of profiles / covers than available in the standard, you should additionally choose the cutting service at KLUŠ

TECHNICAL DRAWING



TECHNICAL SPECIFICATIONS

Material	PMMA
Shape	round
Maximum length on request	236.2"
Width	1"
Height	0.8"
UV resistance	yes

Finish	Light transmission	Length	High mechanical resistance	Ref
satin	71 %	39.4"	no	B17006S_1
		78.9"		B17006S_2
		118.5"		B17006S_3
semi-transparent	89 %	39.4"	yes	B17006T_1
		78.9"		B17006T_2
		118.5"		B17006T_3
clear	94 %	39.4"	yes	B17006C_1
		78.9"		B17006C_2
		118.5"		B17006C_3
black	20 %	39.4"	no	B17006B_1
		78.9"		B17006B_2
		118.5"		B17006B_3

End cap GIL

Ref. C24029C02, C24029L01, C24029C07, C24029C10

Ref. arch 24029, 24035, 24133, 24132



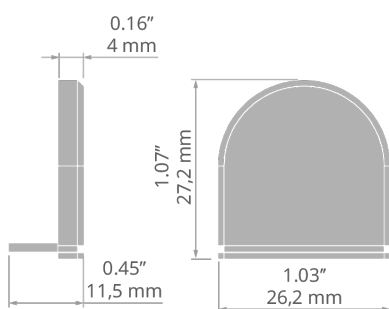
APPLICATION

- aesthetic finish and protection of the interior of the lighting fixture

MOUNTING

- to the extrusion, by pressing

TECHNICAL DRAWING



TECHNICAL SPECIFICATIONS

Material	PP
Shape	rectangular
Height	0.98"
Width	1.02"
Corrosion resistance	yes
Corrosion resistance at high salinity	yes

Color	Ref
<input type="checkbox"/> gray	C24029C02 24029
<input type="checkbox"/> silver	C24029L01 24035
<input type="checkbox"/> black	C24029C07 24133
<input type="checkbox"/> white	C24029C10 24132

Mounting bracket GIP-UV

Ref. C24310C02, C24328C07

Ref. arch 24310, 24328

- Aesthetic surface

APPLICATION

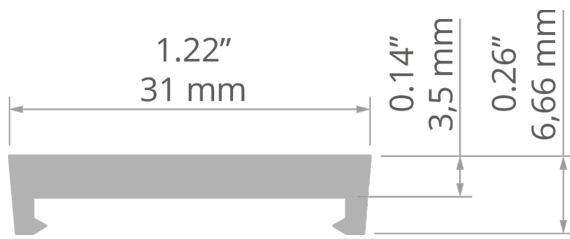
- for mounting LED lighting fixtures

MOUNTING

- to the surface, using a properly selected screw
- to the lighting fixture, with hooks
- easy installation and deinstallation of lighting fixtures by snapping in and out



TECHNICAL DRAWING



TECHNICAL SPECIFICATIONS

Material	ASA
Width	1.22"
Height	0.26"
Lifting capacity	8.8 lb

Color	Ref
■ gray	C24310C02 24310
■ black	C24328C07 24328

