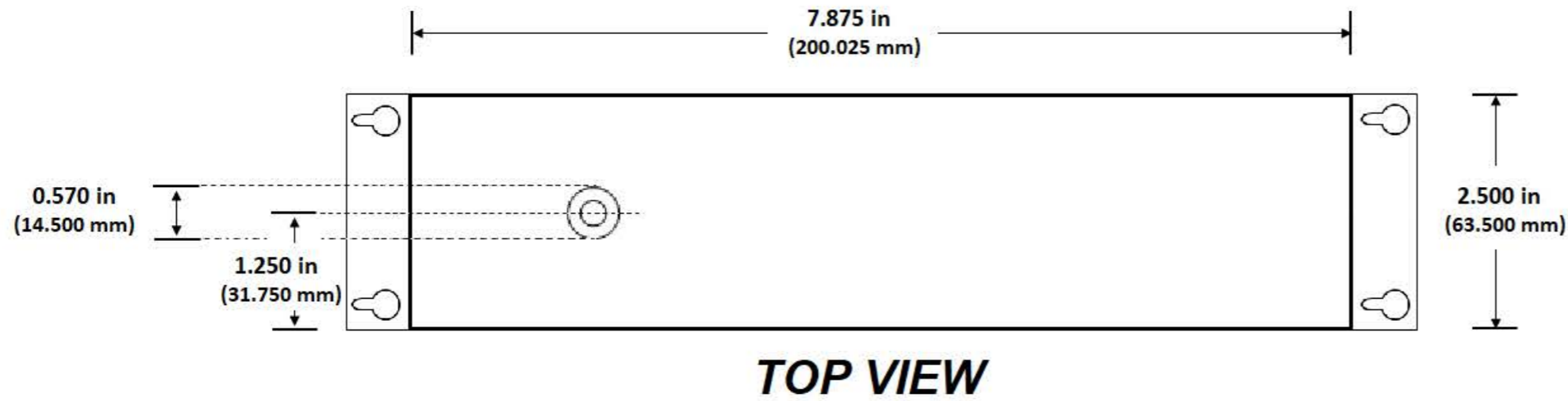
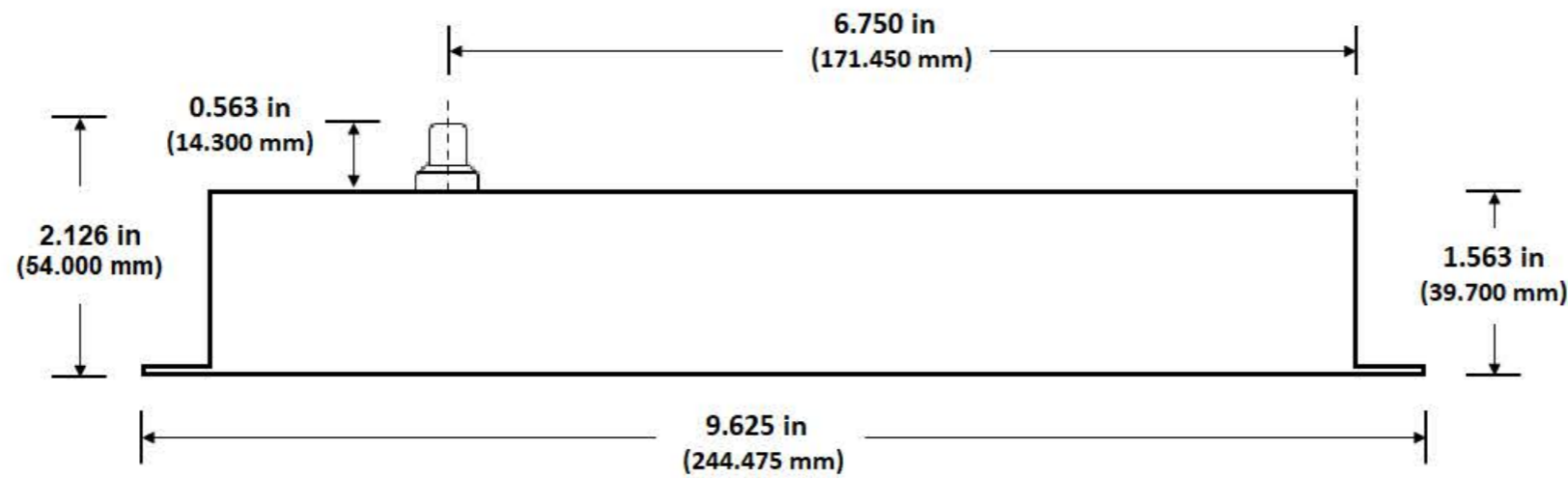


ADAPTER-60-12D-NA



TOP VIEW



SIDE VIEW

Notes:

no.	date	revision

Project:

Job No.:

Client:

Filename:

Dwg Title:

Dwg No.:

Drawn By:

P. Truong

Date:

Scale:
not to scale

Issued For:

Seal: