

ATX LED

AL-PSE-8D

Distribution panel for 800 Watts

[Product Description - AL-PSE-8D](#)

This structured wiring panel provides Class 2 power and DALI signals to 8 outputs. Ideal for up to 120 light fixtures and up to 48 Light switches.

It has two power inputs, with power failover management. It is housed in a case ideal for structured wiring panels. Two power inputs are relay routed to 8 outputs providing load balancing and failover.

It uses quick connect 5 amp rated connectors. When used with Class 1 power supplies, the output current is limited per Class 2 to 100 watts (2 amps) . Voltage is 44 to 56 volts, and passes unchanged to the output. Earth connection is provided for static discharge management.

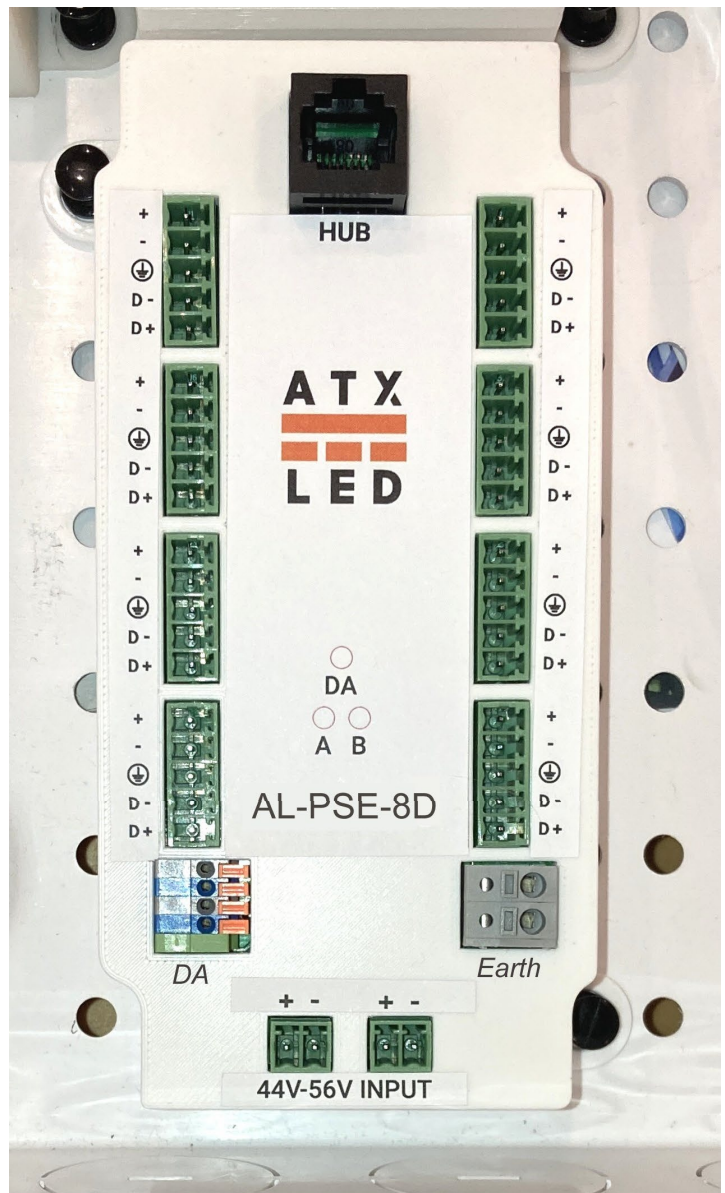
Ideally matched with 2 Meanwell 350 Watt power supplies, the AL-PSE-8D is a member of the ATX SML family for quick installation in Media Panels.

Failover Power

The Power Distribution has 2 inputs – apply a matched set of 48v (max 52v) power supplies to reach the power budget for the project. If a 500 watt project has 2 500 watt power supplies – then an outage will have no impact. The voltages are monitored by the RJ45 connector that links to the ATX LED Hub.

LED status display

There is 1 Green LED per power input, and one Orange for IEC 62486 DAbus power.



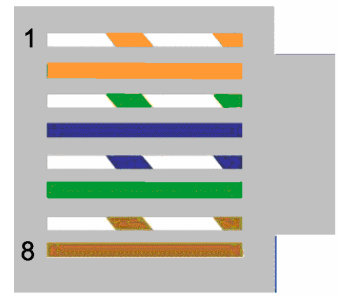
sml Format

This device is a member of the ATX LED sml family for Structured Media Panels. This allows 8 devices in a 14x14 panel. Other devices include our 51v 96w power supply, PSE-4D distribution panel, Raspberry Pi hat, and DALI controlled PoE Switch.

Specifications

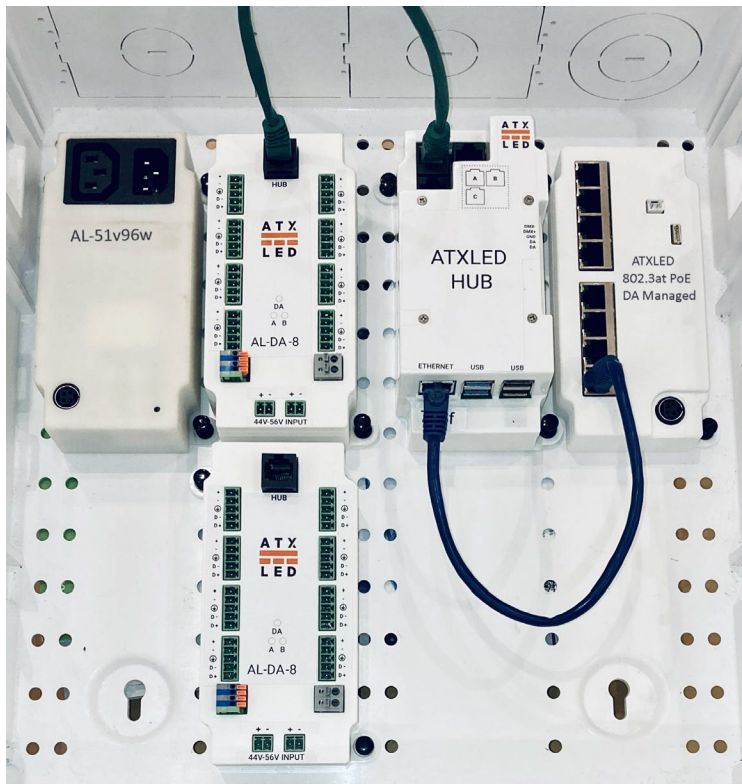
| | |
|-----------------------------|--|
| Power source | KF 3.81mm connectors (2) 2 pin |
| Power out and DALI | KF 3.81mm connectors (8) 5 pin |
| Connector type | CUI TBP02P1-381-02-BE (power in), earth ground CUI TBP02P1-381-05-BE (power and data out) |
| RJ45 to ATX LED Hub | Power from each input, and DALI data |
| DALI data expander | KF141V connector for additional DALI distribution panels. |
| Failover | Relays from 2 DC power inputs assures all outputs are live |
| Input voltage range | 44v to 56 volts (for Relay activation) |
| Current Limit | Each port has a self resetting 2.5 amp fuse |
| Internal Power consumption | 50 milliwatts standby |
| Protection | Reverse protection and static protection |
| Operating Temperature | 0°C ~ 50°C |
| Size | 70 mm x 147mm x 30mm plus 10mm interlocking tabs |
| Hot Swap | Yes – can unplug and connect input power live |
| Earth Ground | Connection for earth grounding |
| Failover Detection | Cutover at less than 44 volts |
| Mounting Kit | Leviton 47615-NYL push pins |
| Jumper to ground RJ45 pin 2 | Internal jumper option to ground |

RJ45

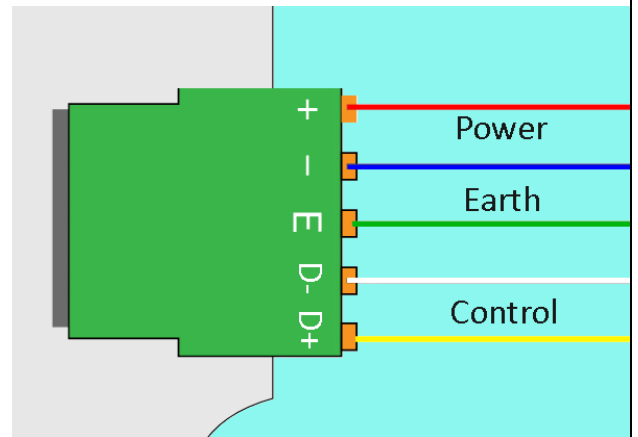


| Pin | A |
|-----|-------------|
| 1 | DALI + |
| 2 | DALI – * |
| 3 | NC |
| 4 | + Voltage A |
| 5 | + Voltage B |
| 6 | Ground |
| 7 | Ground |
| 8 | Ground |

* Jumper on back to connect to ground

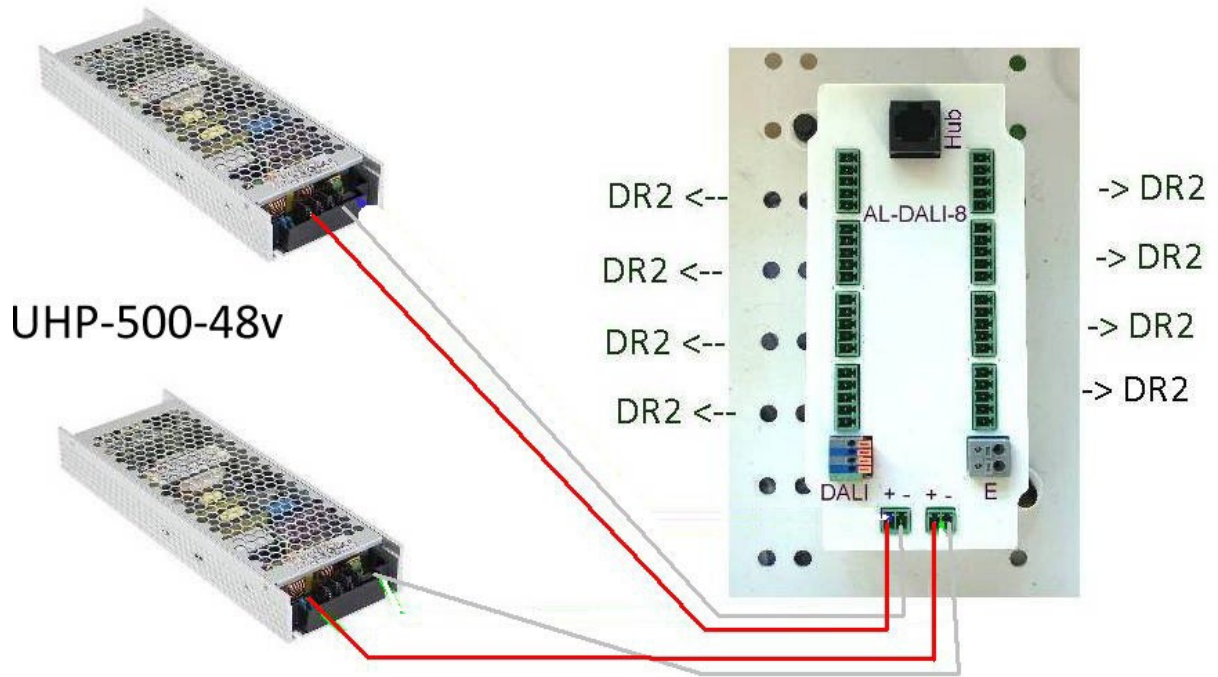


Preparing to install

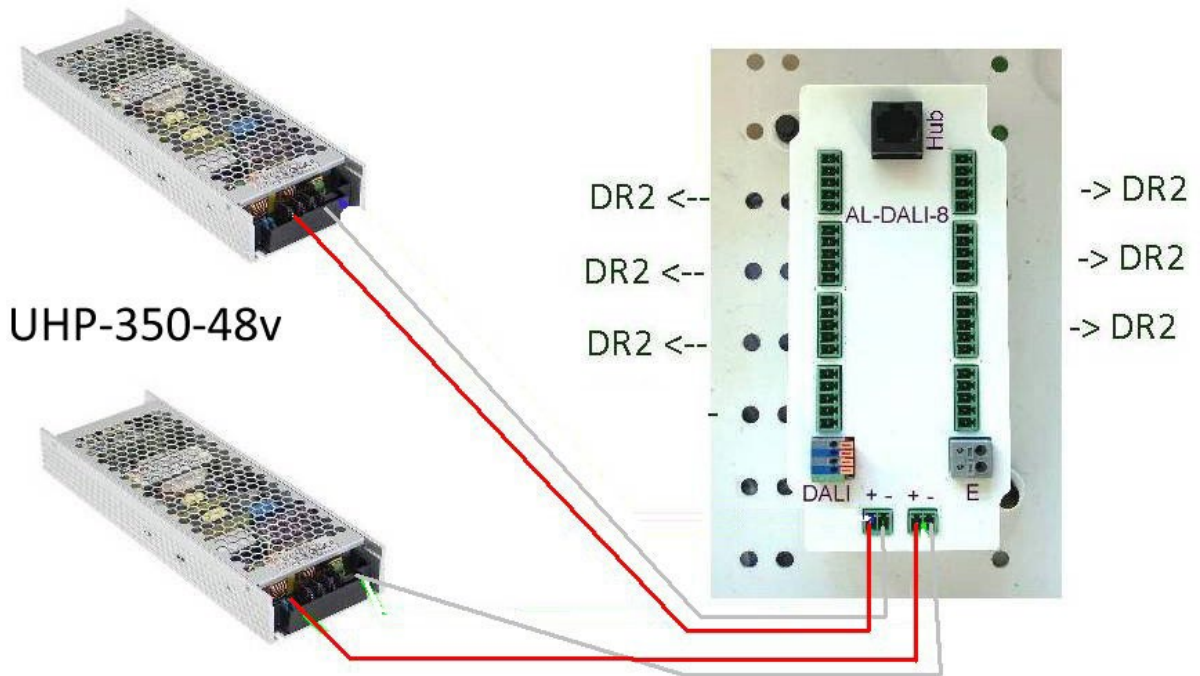


+ = Red
 - = Blue
 E = Green
 D- = White
 D+ = Yellow

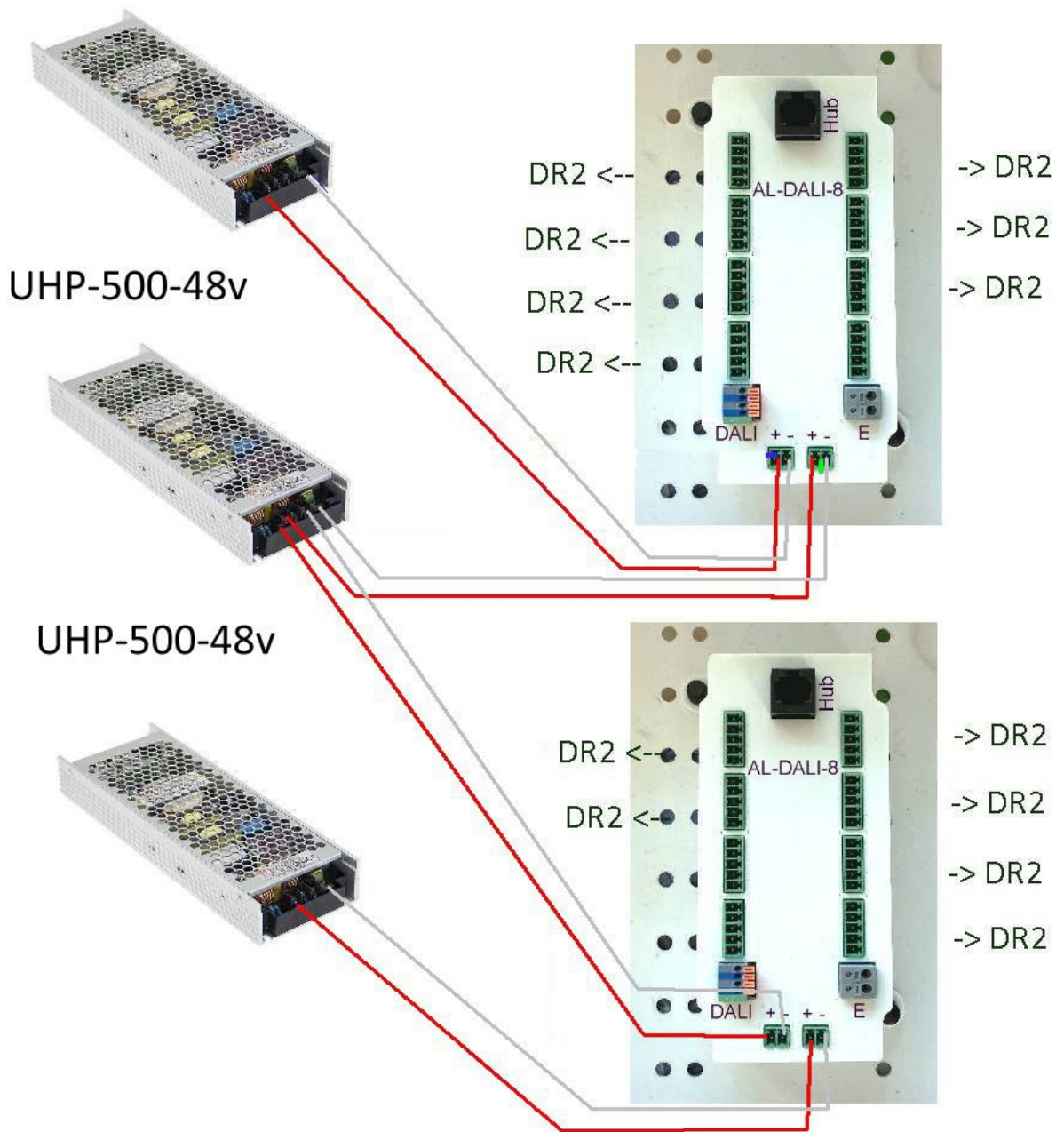
Meanwell Wiring Examples



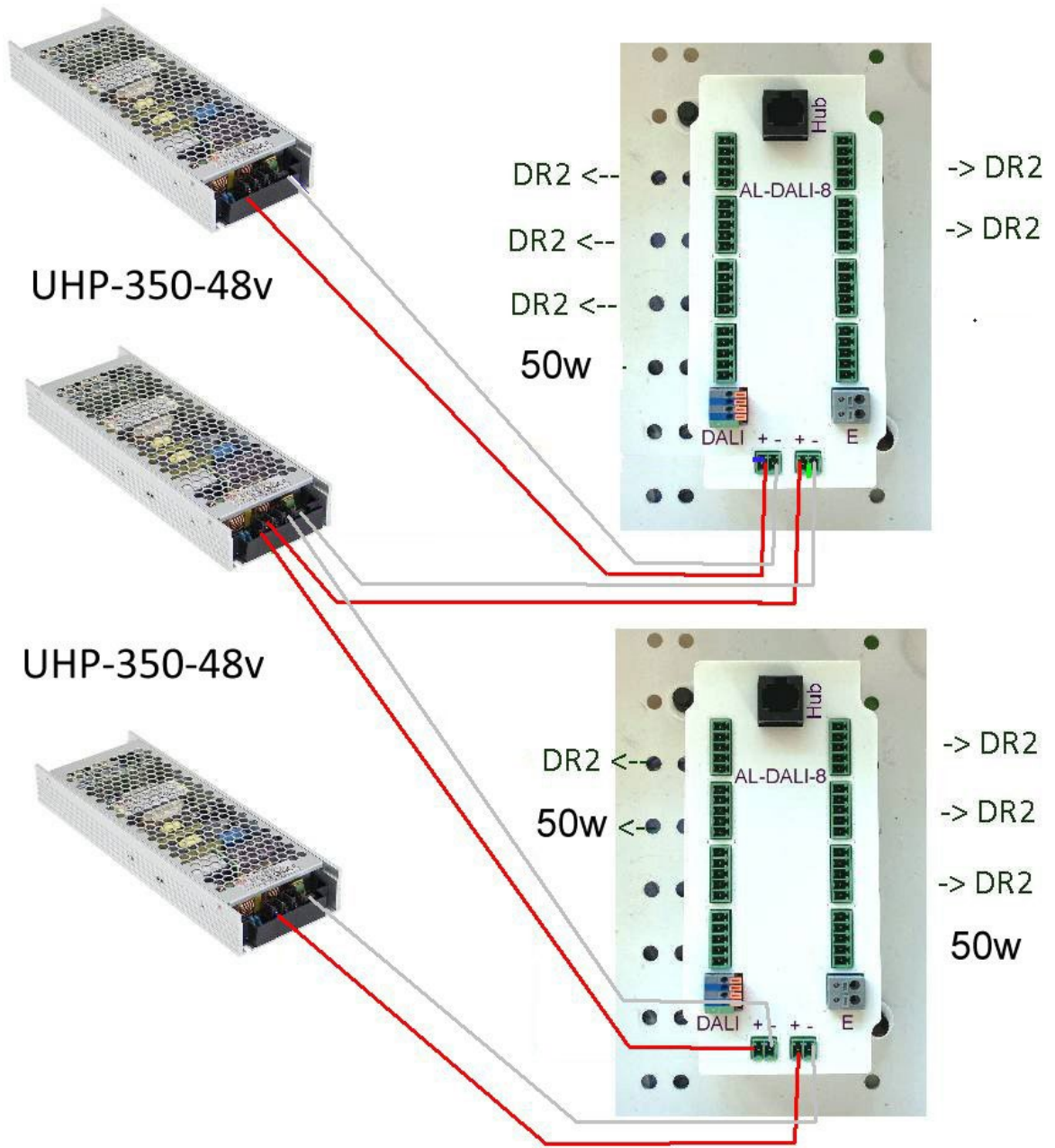
Example of 2 Meanwell-500, AL-PSE-8D and 800 Watts total



Example of 2 Meanwell-350, AL-PSE-8D and 700 Watts total



Example of 3 Meanwell-500, 2x AL-PSE-8D and 1500 Watts total



Example of 3 Meanwell-350, 2x AL-PSE-8D and 1050 Watts total