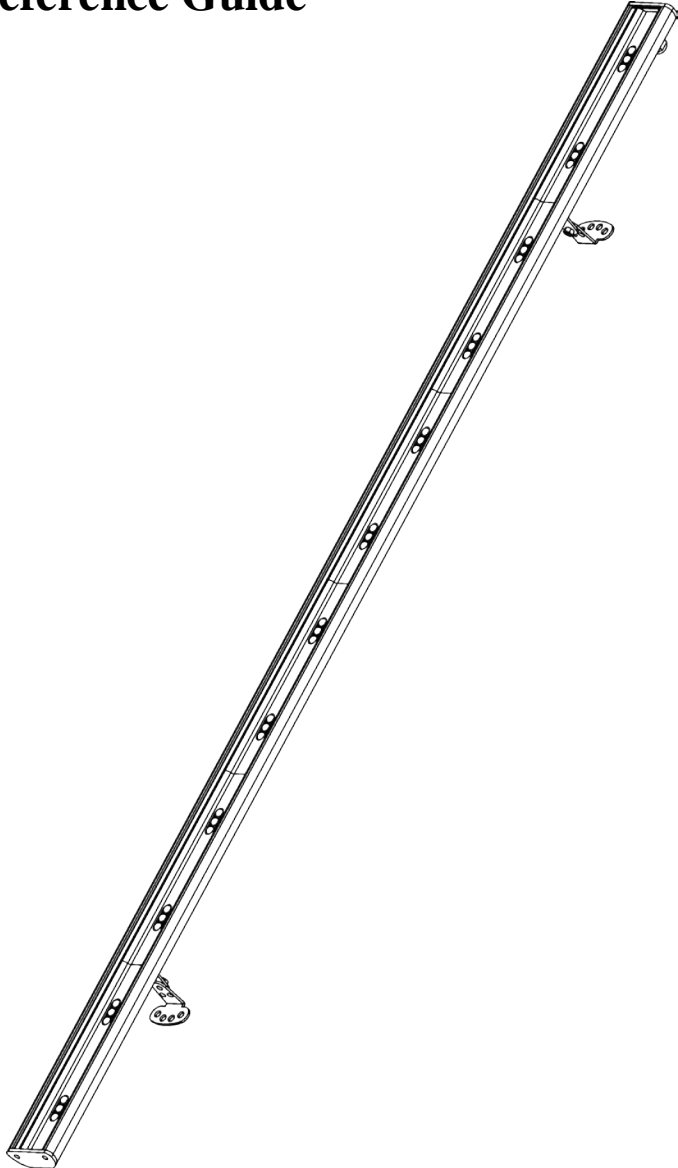


Illumiline LLogic™ 36 RGB

Quick Reference Guide



ILUMINARC®

What Is Included

- One Ilumiline LQgic™ 36 RGB
- One Quick Reference Guide
- One Warranty Card

About This Guide

The One Ilumiline LQgic™ 36 RGB Quick Reference Guide (QRG) contains the product’s features, options, input power, mounting information, wiring, connectivity, and dimensions.

Refer to the applicable LQgic™ Controller User Manual from the ILUMINARC® web site (www.iluminarc.com) to learn about the disclaimers, safety notes, programming modes, and detailed technical information and instructions.

Product at a Glance

Use on Dimmer	⊘	Auto Programs	⊘
Outdoor Use	⊘	Auto-ranging power supply	⊘
Sound Activated	⊘	Replaceable Fuse	⊘
DMX	⊘	User Serviceable	⊘
Master/Slave	⊘	Duty Cycle	⊘

Features

- RGB LED wash light product
- Compatible with LQgic™ controllers
- High power 1 W (350 mA) LEDs
- RGB color mixing (with LQgic™ Controller)
- Extruded aluminum housing (silver) with integrated cooling enhancement
- Belden 1585A plenum-rated data/power cable (79 in/2 m) with RJ-45 connector
- Low power consumption
- IP20 ingress protection
- Lightweight and durable construction

Controllers

Please refer to the applicable User Manual to learn more about the LQgic™ controllers’ currently available. The User Manuals can be downloaded from the ILUMINARC® web site (www.iluminarc.com).

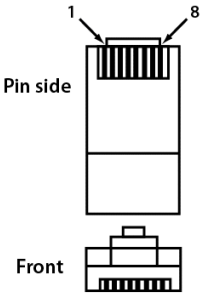
- LQgic™ 1x36
- LQgic™ 4x36
- LQgic™ 16x36

Input Power The input power for this product is provided by a LQgic™ Controller (1,050 mA @ 48 V).

Mounting The Ilumiline LQgic™ 36 RGB includes mounting hardware with 6.3 mm holes, which allow the product to be mounted on any flat surface. Once mounted, the angle can also be adjusted.

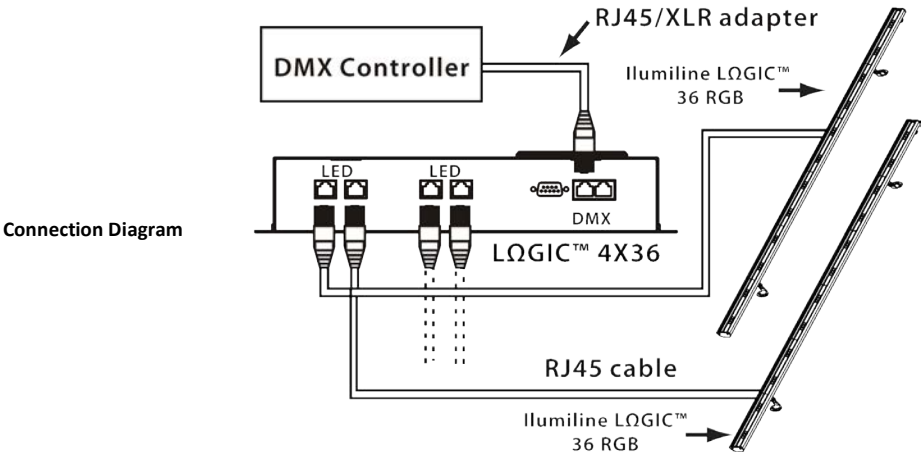
Wiring This product comes with a 79 in (2 m) long CAT 5 cable, terminated with an RJ45 plug to connect to a LQgic™ Controller. If using the included splitter or if making an extension of the product’s cable, you must use plenum-grade CAT 5/6 wire. The RJ45 connector pin out is shown below.

Pin	Wire Color	Function
1	White/orange	Red LED +
2	Orange/white	Green LED +
3	White/green	Blue LED +
4	Blue/white	Not used
5	White/blue	Red LED -
6	Green/white	Green LED -
7	White/brown	Blue LED -
8	Brown/white	Not used



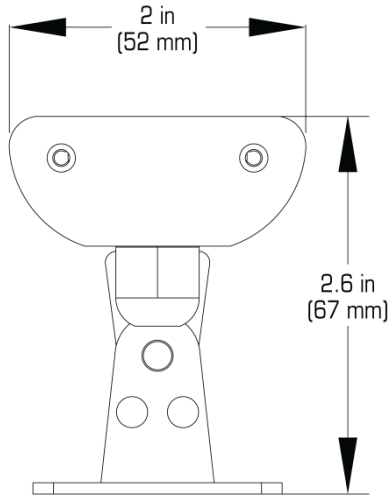
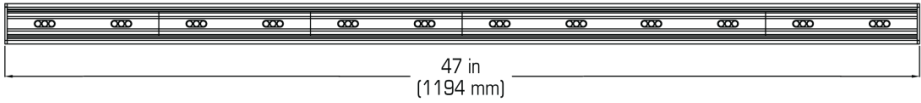
The diagram shows two views of the RJ45 connector: 'Pin side' and 'Front'. The 'Pin side' view shows a top-down perspective of the 8-pin connector with pins numbered 1 through 8. The 'Front' view shows the connector from the perspective of the cable being plugged in.

Connectivity The figure below shows a possible connection layout using this product and a LQgic™ 4X36 Controller. Refer to the applicable LQgic™ Controller User Manual regarding wiring layouts and limitations.



All cables must be terminated to a product. Do not use the splitter as a coupler.

Dimensions



Contact Us

ILUMINARC®
5200 NW 108th Avenue
Sunrise, FL 33351
Voice: (954) 923-3680
Fax: (954) 929-5560
(ATTN: ILUMINARC®)
www.iluminarc.com

Ilumiline LQgic™ 36 RGB - QRG – Rev. 5
© Copyright 2012 ILUMINARC®
All rights reserved.
Printed in the P. R. C.

