

ILUMINARC®

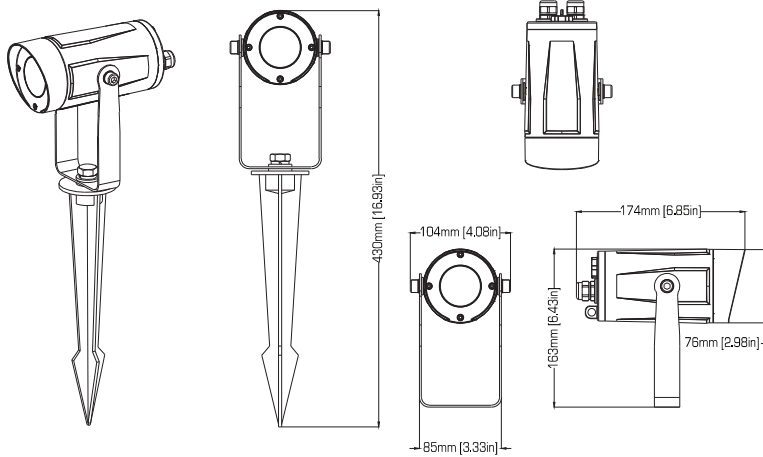
COLORIST Pod 1Qa

Item Number: 03631070

Client: _____

Project: _____

Date: _____ Type: _____



LIGHT SOURCE & OPTICAL SPECIFICATIONS

Light Source: 1 LEDs (quad-color RGBA)10 W, (712 mA)
Light Source Lifespan: 50,000 hours based on LED manufacturer's specifications
Installed Optics: 15°
Beam Angle: 13°
Field Angle: 24°
Lumens: 229
Base Illuminance: 162 lux @ 5 m
Efficacy: 14.6 lm/W
Minimum Distance to Illuminated Surface: 4 in (92 mm)

CONSTRUCTION & PHYSICAL SPECIFICATIONS

Length: 6.85 in (174 mm)
Width: 4.09 in (104 mm)
Height: 6.43 in (163 mm) with base; 16.9 in (430 mm) with spike
Weight: 3.6 lb (1.6 kg)
Color: Black
Ingress Protection Rating: IP65
Housing Material: Extruded aluminum
Lens Cover: Impact resistant glass
Installation Orientation: Any

CONTROL SPECIFICATIONS

Control Protocol: USITT DMX-512a, RDM
Control Channels: 4, 6 or 10
Stand Alone Control: N/A
Remote Addresser: N/A
Data Connection: 6.6 ft (2 m) Waterproof cable
Accessories (optional): IP5SIG IP signal extension 16.4 ft (5 m)

ELECTRICAL SYSTEM SPECIFICATIONS

Input Voltage: 100 to 240 VAC, 50/60 Hz (auto-ranging)
Power and Current:
14 W, 0.209 A @ 120 V
13 W, 0.125 A @ 208 V
13 W, 0.113 A @ 230 V
Power Supply: Electronic internal
Dimmer: Electronic
Power Linking: N/A
Power Connection: 3.9 ft (1.2m) Waterproof cable, Edison plug to proprietary IP65 input power cord
Accessories (optional): IP5POWER IP power extension 16.4 ft (5 m)

THERMAL SPECIFICATIONS

Cooling: Convection
Startup Temperature Range: -4 °F to 104 °F (-20 °C to 40 °C)
Operating Temperature Range: -20 °F to 110 °F (-29 °C to 43 °C)
Storage Temperature Range: -40 °F to 167 °F (-40 °C to 75 °C)

REGULATORY & VOLUNTARY QUALIFICATION

Certification Listings: MET, CE
Environment: Wet location, IP65, All indoor and limited outdoor permanent installations. Please refer to the User Manual for more detailed information on installation.
Warranty: 24-month manufacturer's limited warranty (for covered regions only)

Product
Web Page



WWW.ILUMINARC.COM - INFO@ILUMINARC.COM

Iluminarc reserves the right to make improvements to this product and its specifications at anytime without notice.

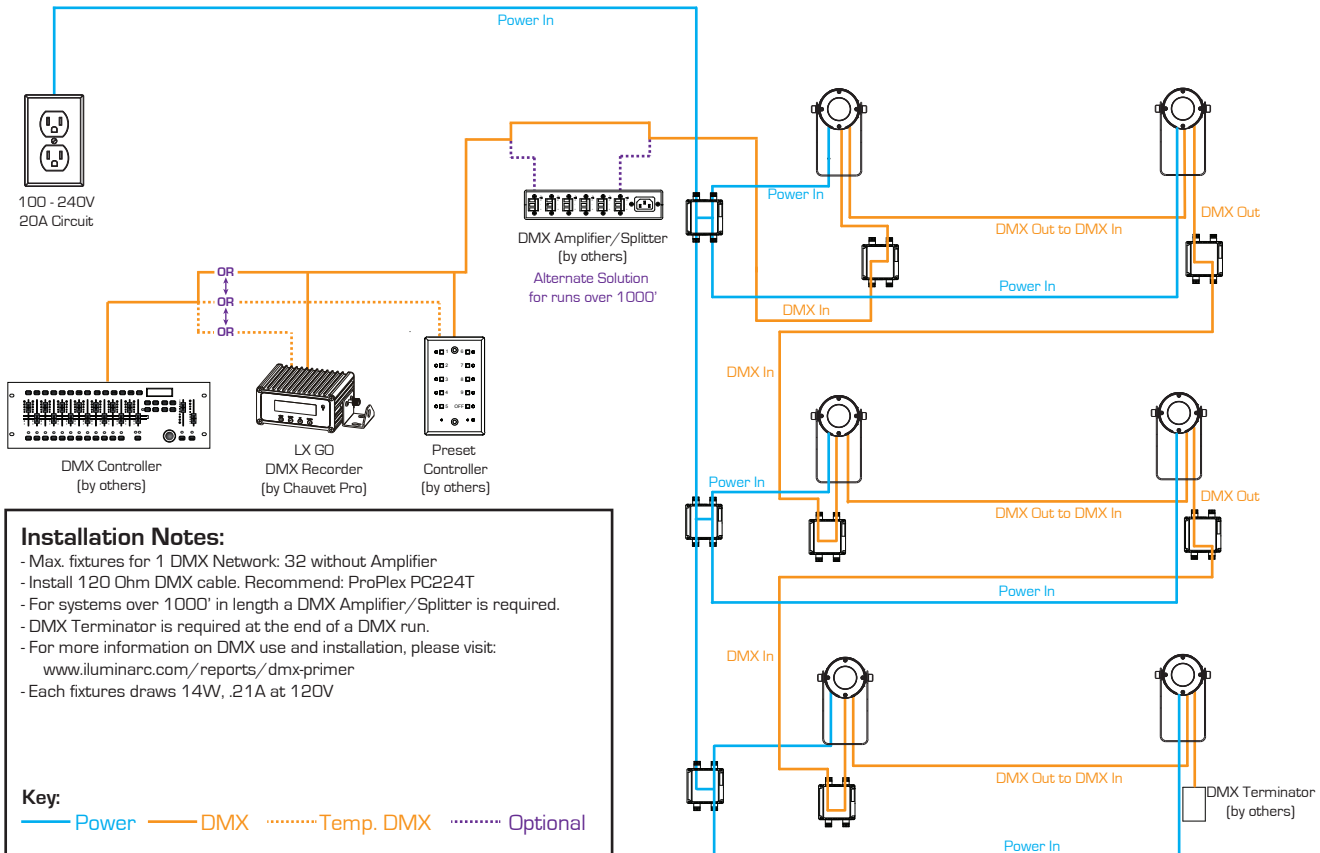
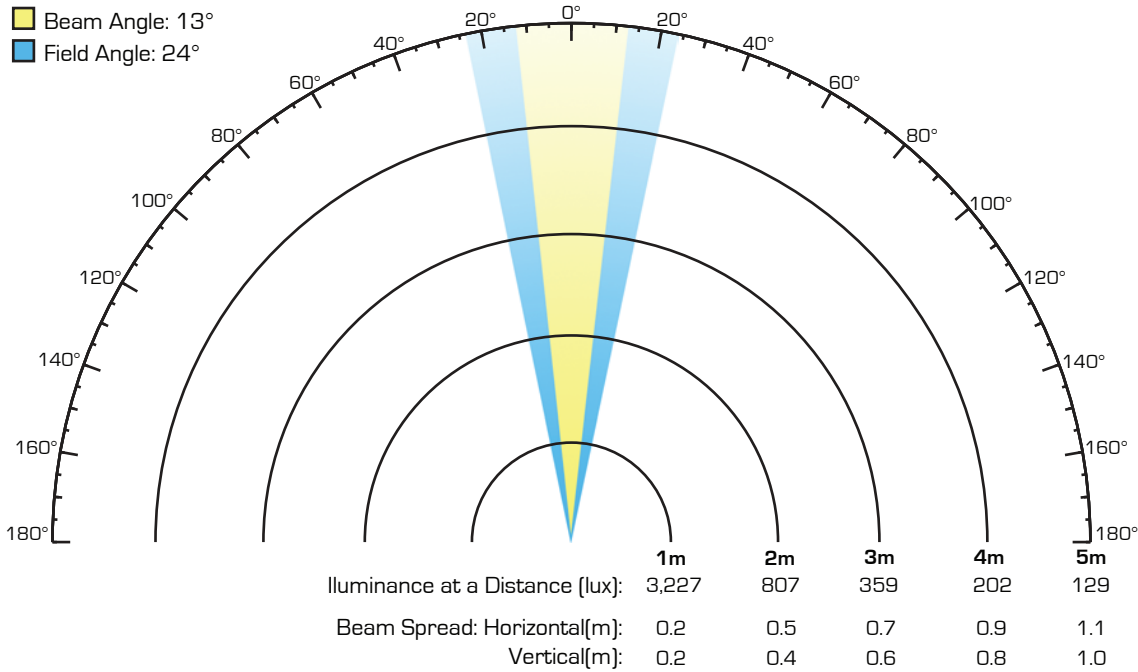
ILUMINARC.
5200 NW 108th Ave.
Sunrise, FL 33351
+1.954.923.3680

COLORIST Pod 1Qa

Item Number: 03631070

Colorist Pod 1Qa

- Beam Angle: 13°
- Field Angle: 24°



Installation Notes:

- Max. fixtures for 1 DMX Network: 32 without Amplifier
- Install 120 Ohm DMX cable. Recommend: ProPlex PC224T
- For systems over 1000' in length a DMX Amplifier/Splitter is required.
- DMX Terminator is required at the end of a DMX run.
- For more information on DMX use and installation, please visit:
www.iluminarc.com/reports/dmx-primer
- Each fixtures draws 14W, .21A at 120V

Key:

— Power — DMX Temp. DMX Optional