

Caséta® Wireless In-Wall Dimmer PRO

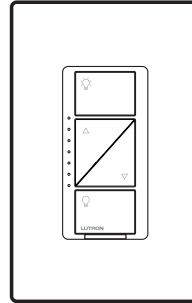
The Caséta® Wireless In-Wall Dimmer PRO controls lighting loads, both directly and remotely when paired with Pico® remote controls, providing a system that delivers convenience and ease of installation.

The Caséta® Wireless In-Wall Dimmer PRO uses Lutron® patented Clear Connect® RF Technology which enables wireless communication with Pico® remote controls and the Lutron® Smart Bridge™ and Smart Bridge™ Pro.

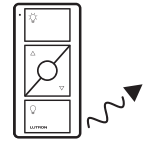
Features

- The Caséta® Wireless In-Wall Dimmer PRO provides dimming of multiple load types and, when paired with Pico® remote controls, allows remote control from anywhere in the space.
- When used with the Lutron® Smart Bridge™ or Smart Bridge™ Pro, the Caséta® Wireless In-Wall Dimmer PRO may be programmed via the Lutron® app, incorporated into lighting scenes, scheduled for daily events, and controlled from anywhere in the world¹.
- Lutron® patented Clear Connect® RF Technology works through walls and floors.
- Includes Front Accessible Service Switch (FASS™) for safe lamp replacement.
- Neutral-optional dimmer is ideal for retrofit applications when used in two-wire mode.
- Compatible with Lutron® Hi-lume® A-Series LTE LED driver, PHPM interfaces and GRX-TVI interfaces. Neutral wire is required for drivers and interfaces.
- Works with compatible dimmable LEDs as well as incandescent, halogen, and halogen-based MLV loads.
- Compatible with dimmable ballasts.

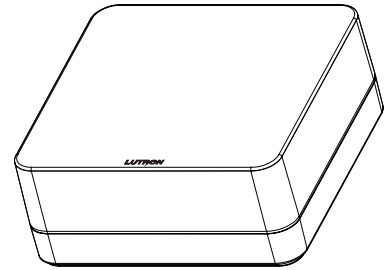
Caséta® Wireless In-Wall Dimmer PRO



Pico® Remote Control

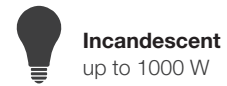
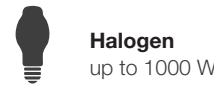


Lutron® Smart Bridge™ and Smart Bridge™ Pro



Load Types and Capacity²

See www.casetawireless.com/bulblast for the latest list of compatible bulbs.



¹ The Lutron® app is required for setup and use with the Smart Bridge™ and Smart Bridge™ Pro. The Lutron® app is compatible with iOS® devices version 6.0 or later and Android® devices 4.0 or later.

² See **Ganging and Derating** section.

iOS is a registered trademark of Cisco in the U.S. and other countries and is used under license. Android is a registered trademark of Google Inc.

Job Name:	Model Numbers:
Job Number:	

Specifications

Regulatory Approvals

- cULus Listed
- NOM certified
- FCC approved. Complies with the limits for a Class B digital device, pursuant to Part 15 of the FCC Rules
- Industry Canada certified
- IFTTEL certified

Power

- Operating voltage: 120 V~ 50/60 Hz

Key Design Features*

- Tested to withstand electrostatic discharge without damage or memory loss, in accordance with IEC 61000-4-2.
- Tested to withstand surge voltages without damage or loss of operation, in accordance with IEEE C62.41-1991 Recommended Practice on Surge Voltages in Low-Voltage AC Power Circuits.
- Dimmers always operate locally and do not require system control.
- Power failure memory: should power be interrupted, the control will return to its previously set level prior to the interruption when power is restored.
- Uses Lutron® Claro® wallplates or designer-style wallplates from other manufacturers. Wallplates are sold separately.
- Lutron® Claro® wallplates snap on with no visible means of attachment.
- Requires a 1-gang U.S. wallbox. 3½ in (89 mm) deep recommended, 2¼ in (57 mm) deep minimum.
- Green LEDs indicate load status.

System Communications and Capacity

- The Caséta® Wireless In-Wall Dimmer PRO communicates with Pico® remote controls and Lutron Smart Bridge™ or Smart Bridge™ Pro via radio frequency (RF).
- The Caséta® Wireless In-Wall Dimmer PRO must be located within 60 ft (18 m) line-of-sight or 30 ft (9 m) through walls, of Pico® remote controls and Smart Bridge™ or Smart Bridge™ Pro.

Device limits

- Pico® remote controls only: up to 10 Pico® remote controls may be paired to each Caséta® Wireless In-Wall Dimmer PRO (with no Smart Bridge™ installed).
- Smart Bridge™ or Smart Bridge™ Pro system: up to 50 total wireless devices (Caséta® Wireless dimmers/switches, Pico® remote controls) are supported per system. Smart Bridge™ or Smart Bridge™ Pro counts as one device.

Environment

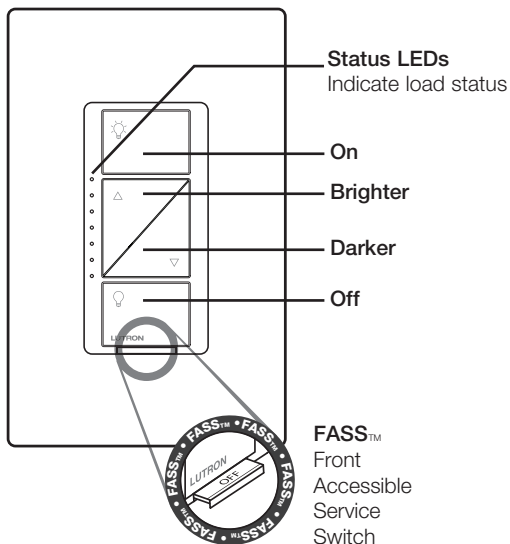
- Ambient operating temperature: 32 °F to 104 °F (0 °C to 40 °C), 0%-90% humidity, non-condensing. Indoor use only.

* For advanced features, tips on how to use Caséta® Wireless dimmers with LEDs, the complete Caséta® Wireless product line, and more, please visit www.casetawireless.com/features

Job Name:	Model Numbers:
Job Number:	

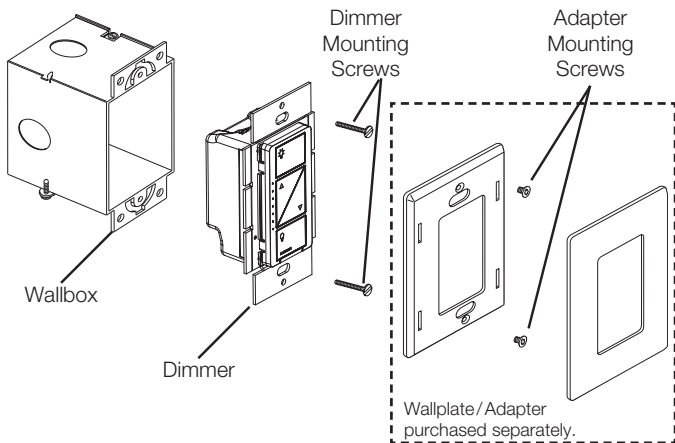
Operation

In-Wall Dimmer PRO



IMPORTANT NOTICE:
FASS™ – Front Accessible Service Switch – to service load, remove power by pulling the FASS™ switch out completely on Switch. After servicing load, push the FASS™ switch back in fully to restore power to the control.

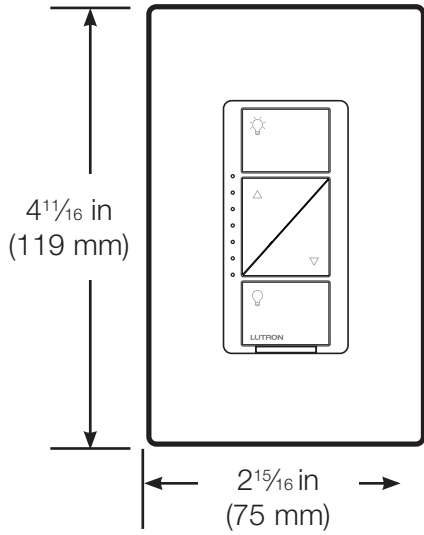
Mounting



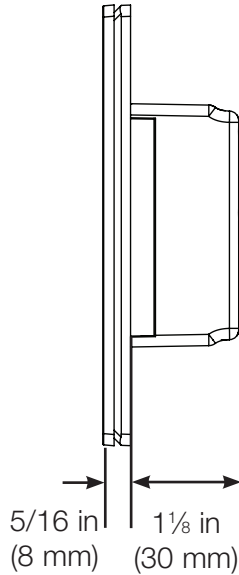
Job Name:	Model Numbers:
Job Number:	

Dimensions

Front View

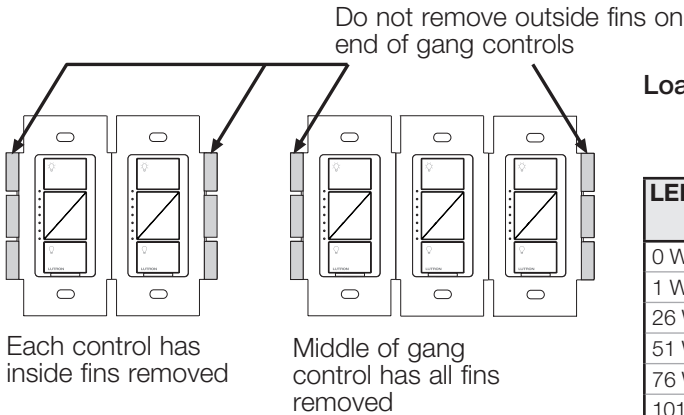


Side View



Ganging and Derating

When ganging with other controls in the same wallbox, derating is required. See Load Type and Capacity chart.



Load Type and Capacity*

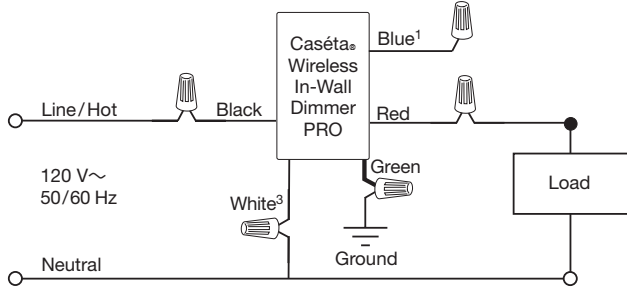
LED Total Wattage		Incandescent / Halogen Total Wattage		
		A	B	C
		0 W	+	1000 W
1 W – 25 W	+	900 W	750 W	550 W
26 W – 50 W	+	800 W	700 W	500 W
51 W – 75 W	+	700 W	600 W	450 W
76 W – 100 W	+	600 W	500 W	400 W
101 W – 125 W	+	500 W	400 W	300 W
126 W – 150 W	+	400 W	300 W	200 W
151 W – 175 W	+	300 W	200 W	100 W
176 W – 200 W	+	200 W	100 W	50 W
201 W – 225 W	+	100 W	50 W	0 W
226 W – 250 W	+	0 W	0 W	0 W

- Mixing bulb types (using a combination of LED and incandescent/halogen bulbs) reduces maximum wattage as shown in the chart above.
 - In-Wall Dimmer PRO has a minimum load requirement of 10 W with neutral connected (25 W without neutral) or one bulb from the compatible bulb list.
- * See www.casetawireless.com/bulblast for the latest list of compatible bulbs.

Job Name:	Model Numbers:
Job Number:	

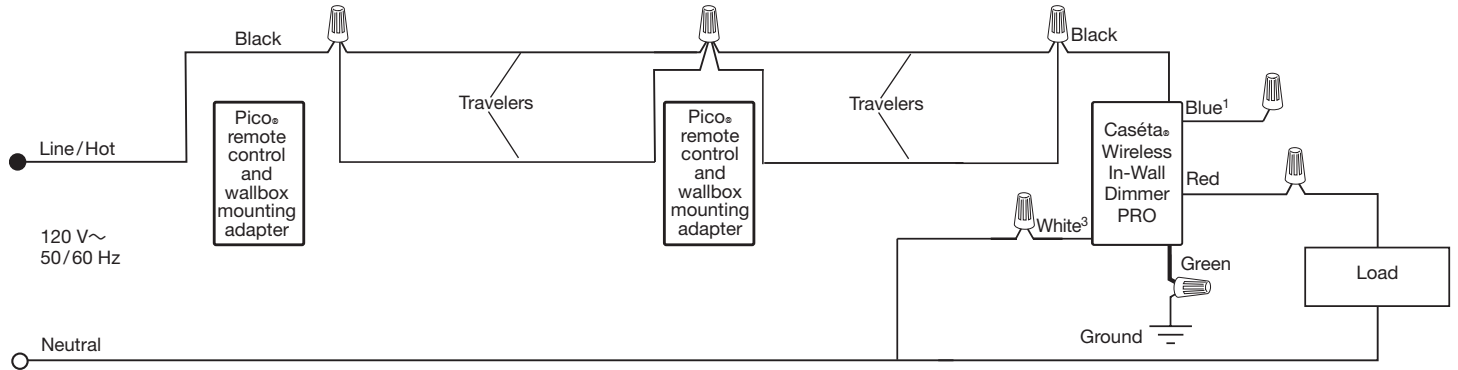
Wiring Diagrams

Single Location Installation



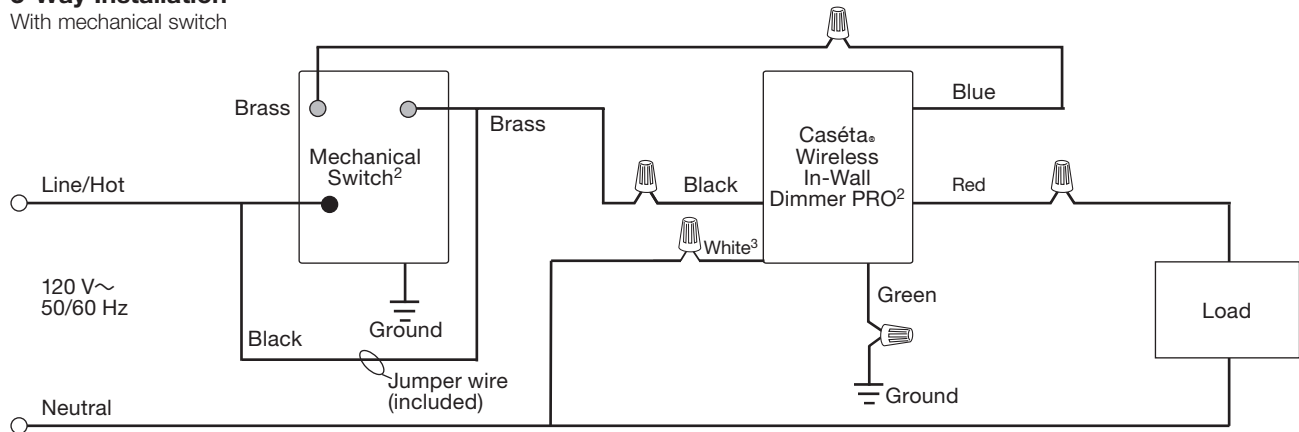
Multi-Location Installation

With Pico® remote controls (PJ2-XX-XX) and wallbox mounting adapters (PICO-WBX-ADAPT)



3-Way Installation

With mechanical switch

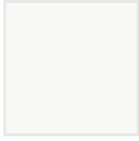


¹ When using controls without mechanical 3-way switch, cap the blue terminal. **Do not** connect the blue wire to any other wiring or to ground.
² Location of Caséta® Wireless In-Wall Dimmer PRO and mechanical switch may be reversed.
³ Neutral connection optional except for MLV loads, LED drivers, PHPM-PA, PHPM-3F, GRX-TVI.

Job Name:	Model Numbers:
Job Number:	

Colors and Finishes

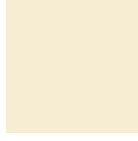
Gloss Finishes



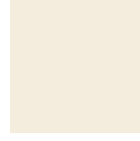
White
WH



Black
BL



Ivory
IV



Light Almond
LA

Due to printing limitations, colors and finishes shown cannot be guaranteed to perfectly match actual product colors.

Job Name:	Model Numbers:
Job Number:	