

## Ultra Thin LED Light Panel

Questions? Call 1-888-880-1880

Please read the instructions thoroughly before installation. Retain this guide for future reference.

### Handling Instructions



- Always carry panels larger than 24"x36" vertically.
- Carrying large panels horizontally can bend the frame and damage the panel.

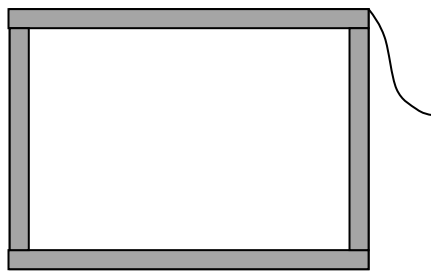
### Mounting Instructions

#### Method 1: Mirror Clips (not included)



1. Obtain mirror mounting clips that match the panel thickness. Typical panels require 4 or 8 evenly spaced clips for secure mounting. Larger panels may require more.
2. Mock up the panel in the desired mounting location, ensuring that it is level, and mark locations for the mounting clips.
3. Remove the panel and install the bottom mounting clip(s).
4. Slide the panel into the bottom clips and make sure that the panel is level.
5. Install the remaining clips around the panel.

#### Method 2: Drill Mounting Holes in the Panel



Back View of Panel



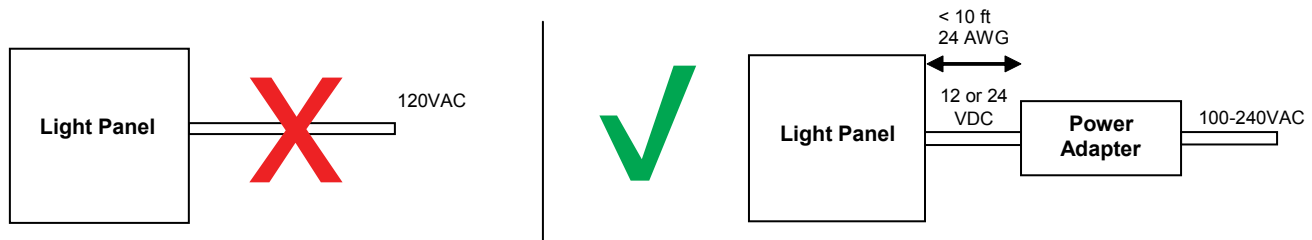
**DO NOT** drill holes in the grey shaded area around the edge of the panel. Doing so may damage the LED Light source.



**Mounting holes can be drilled in any other location on the panel.** Use common sense with this mounting method. At least two mounting holes should be used to keep the panel from rotating, but the number and size of holes required will depend on the size of the panel. Keep in mind that each mounting hole will affect the light distribution on the panel based on its size and position. This can include halo effects or dim areas between the hole and the edge of the panel.

### Electrical Connection

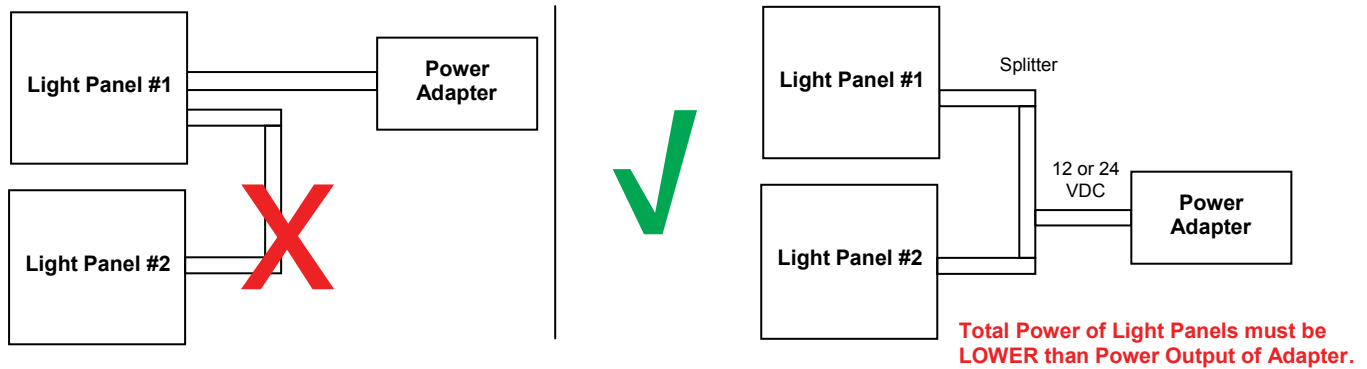
1. Only use adapters approved by Environmental Lights to power the light panels. The adapter must have a power rating greater than the panel power consumption. Using non-approved adapters will void the warranty.
2. Never apply AC power directly to a panel. This will destroy it.
3. Wiring between the power adapter and panel should be kept as short as possible to avoid voltage drop. The distance should be less than 10 feet with 24 AWG wire.



4. If a longer distance is required, cut off the barrel connector from the adapter and connect thicker wire. The wire should be 16 AWG or thicker and should only be as long as required to reach the panel. **Red wires are negative polarity (-) and black wires are positive (+).**

Questions? Call 1-888-880-1880

5. Multiple panels can be connected to a single adapter if the total panel power consumption is lower than the adapter power rating.
  - a. Never connect panels in series.
  - b. Different panel sizes may have different brightness levels. Call us at 1-888-880-1880 for assistance installing panel sizes together.



### Optional Accessories

#### Dimmers

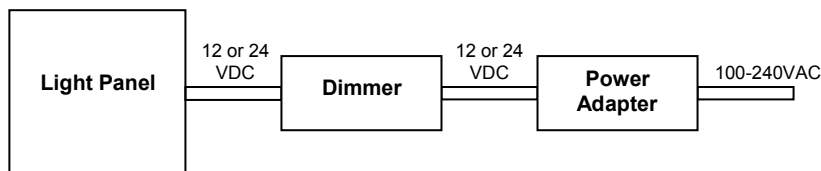
- Always use controllers approved by Environmental Lights. Using non-approved controllers may result in reduced performance and will void the warranty. Refer to the Installation and operation instructions are provided for each controller model.
- Multiple panels may be used with one controller as long as both the power supply and controller power ratings are greater than the total power consumption of the panels.

#### 12 or 24V LED Dimmer with Rotary Knob (White)

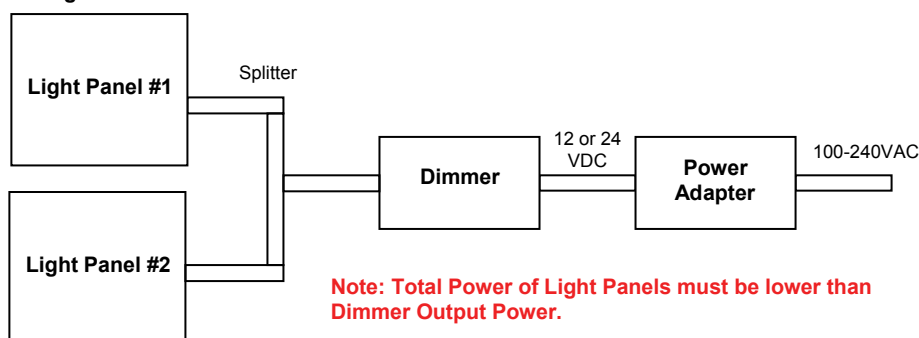


**Product No.: Dim1**  
 Output Power: Max. 24W or 48W  
 Output Current: Max. 2A  
 Work Temperature: -4°F — 140°F  
 Size: 2.63" × 1-1/4" × 1-1/4"

#### Dimmer Wiring – Single Panel



#### Dimmer Wiring – Multi Panels



#### Splitters

