

UP-N-AWAY Track

UP-N-AWAY Track is a unique, new patented system that makes holiday light decorating easy. It allows the user to hang exterior decorative lights in minutes along rooflines and eaves, around garages, doors and windows or on patios and gazebos.

Using UP-N-AWAY Track for holiday light installation is faster, safer and provides a far more attractive system than using staples, cuphooks, nails, screws, etc.

The product is a complete, ready to install kit that consists of track, track connectors, clips, cam locks (tighteners), an additional section of track for storage, and installation screws.

The track permanently mounts and can be easily painted to match existing décor. The track is small and inconspicuous. It can be attached to wood, metal, vinyl, stucco or masonry. The track connectors are provided to assist with alignment during installation.

The clips snap on the wires of the owner's current holiday light strings. The rounded top of the clip slides into the track and by sliding the clips along the track, the lights are pulled into place.

The cam locks are inserted into the track and turned which locks the light strings tightly in place and holds them straight.

When the lights are removed, the clips are pulled in reverse and slipped onto the section of saved/uninstalled track so they can be stored tangle free and ready to go for next year. The storage track can be conveniently stored by hanging in a garage or closet.

UP-N-AWAY Track provides a fast, easy, simple to use, attractive way of hanging exterior holiday lights and an even simpler method of removal and storage. It can be used for multiple season holiday lights including Independence Day and Halloween or other special occasion lights.

Parts List

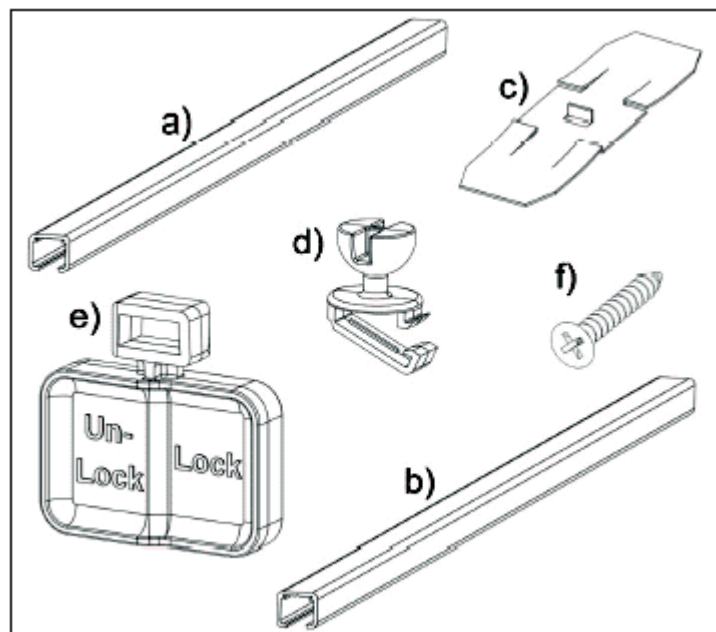
- a) Light Track
- b) Storage Track
- c) Track Connector
- d) Light Clip
- e) Cam Lock
- f) Screws

Track Kit Includes

- 32 Feet of Track
- One Storage Track (holds 3 or more strings of lights)
- 32 Light Clips
- 4 Cam Locks
- 8 Track Connectors
- 30 Screws
- Installation Instructions

Warranty

When used and installed as directed the components of this product are warranted for one year against any defect in workmanship and will be replaced upon verification. Contact KMOR Innovations, Inc., P.O. Box 26446, Phoenix, AZ 85068-6446



Track Installation

Tools Needed

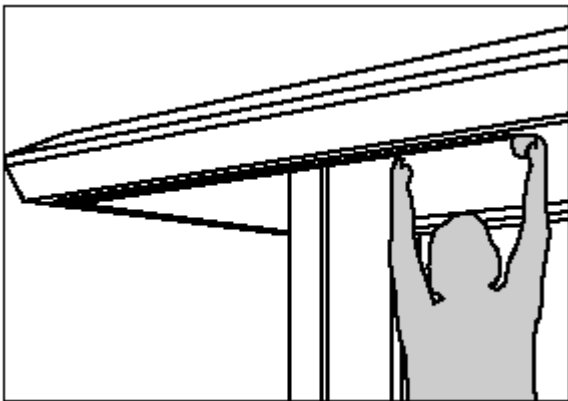
- Phillips Screwdriver, #2 Point
- Tape Measure.
- Step Ladder.
- Cutting Tool (Box Cutter or Hand Saw)
- Marking Pencil.
- Drill with 3/32" bit (Recommended, but optional)
- Miter Box (Optional, but recommended if corners are needed).

Safety Precautions

- Do not use this product for other than intended purpose.
- Contains small items. Keep away from children.
- Use safety glasses during track installation.
- Avoid overhead power lines during installation.
- Operate any power tool used during installation in accordance with manufacturer's guidance.
- Always use ladders as instructed by manufacturer.
- Follow all safety instructions on light set instructions.
- Always hang lights unplugged to avoid electrical shock.
- Save these instructions.

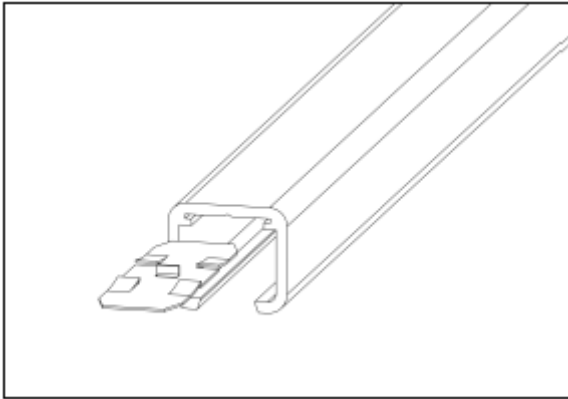
Step 1. Plan Track Installation

- Determine where you want to hang lights.
- Measure the area and utilizing the length of your light string(s) finalize your plan.
- Determine number of track sections required. Each section is 4 feet in length.
- If making corners, determine miter angle needed.



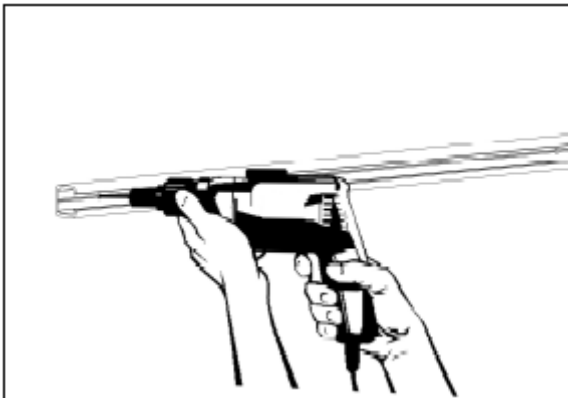
Step 2. Insert Connectors

- Insert metal track connector (center flange up) into small slot at top of track in one end of track section.
- Inserting connector may require wiggling and light pressure to accomplish.

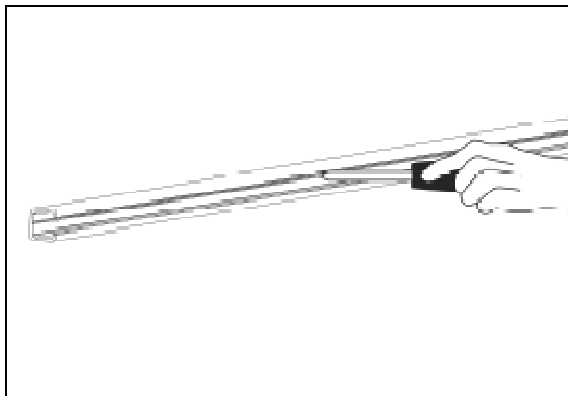


Step 3. Attach Track (to materials suitable for use of screws such as wood or aluminum).

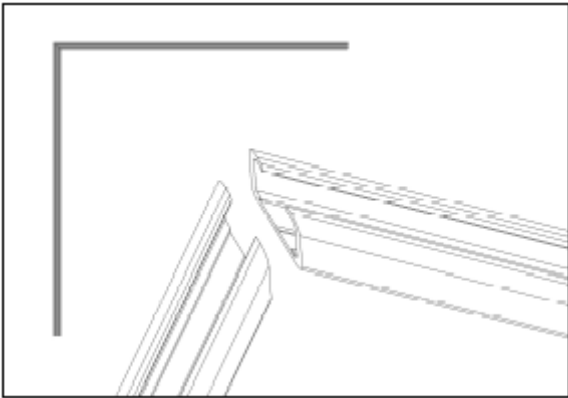
- Predrill 3 holes in the top (opposite the slot) of each section of track using a 3/32" bit. Use the centering slot as a guide to drill. Drill holes approximately 2" from each end, and one near the middle of the section. Note: Screws can be started directly into the plastic track with a light tap on the handle of the screwdriver, but it is easier with a drilled starter hole.



- Using a ladder, hold the first section in place on the eaves, door frame, beam, etc., where you choose to start. Place track with slot down on eaves or beams, and slot out as applicable on doorways or windows.



- Insert a screw in the center hole and tighten, then in the first hole and tighten. Leave the last hole until adding the next section.
- Using light pressure slide the next section onto the metal connector already in place on the previously installed section and insert screws in the following order: in the center hole of the new section, in the last hole of the previous section, and the first hole tightening each as you go. Make sure sections line up exactly.
- Repeat until fully installed.
- When a corner on the same plane is encountered, cut (miter) track to fit tightly. Shims may be necessary in some instances to make corners match exactly. Insert screws in track approximately 2" each direction from corner.

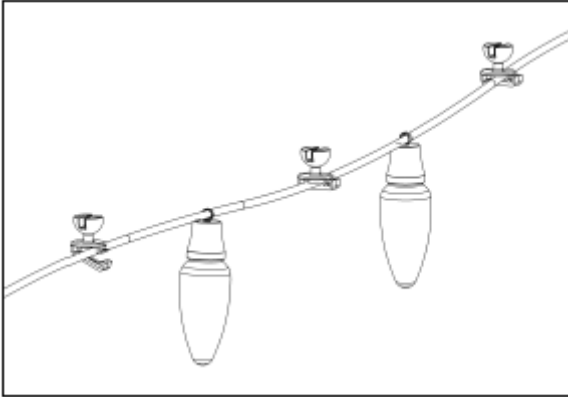


- Track may be painted to match surface on which it is mounted. Cover slot side of track with 1/2" masking tape before painting so as to not interfere with the sliding ability of the clips after painting. Painting can be done before attaching track or after it is in place.

Light Hanging

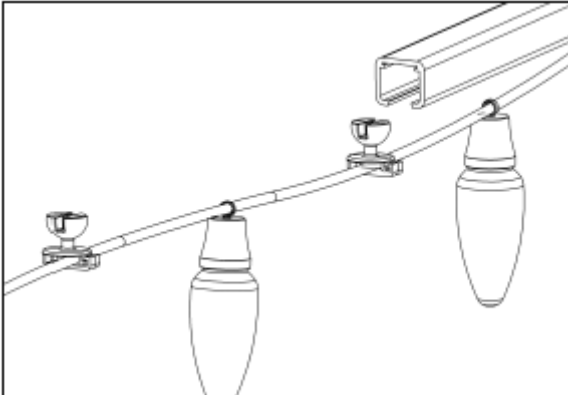
Step 1. Attach Clips to Lights

- Install light clips on light string wire (single or multiple wire) at approximately 1 foot intervals. Open the live hinge on the clip only enough to slide the wire into the slot to avoid damaging the clips. It works best to put the clip midway between (rather than directly next to) bulbs, or strands if hanging icicle lights. When using multiple strings make sure male and female plugs are properly spaced and tightly secured so that they can be pulled taut in final installation.



Step 2. Slide Clips on Track

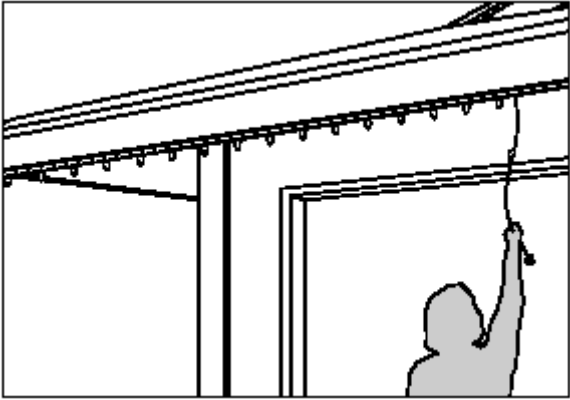
- Load light clips by sliding clips into slot in Storage Track. Use Cam Locks on each end to keep light from falling off track.
- Off load clips from storage track to installed light track.



Step 3. Pull Lights Around Track

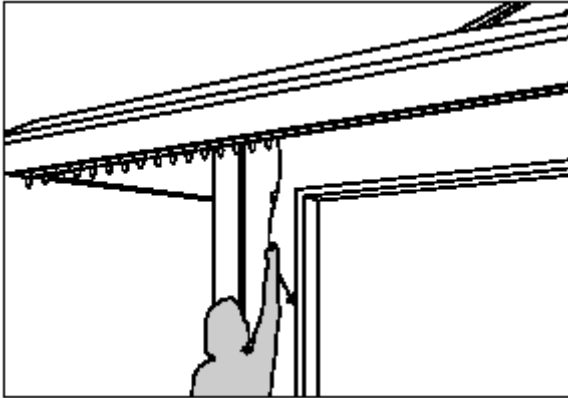
- Either by hand or with a puller, advance light clips around the track. Note: Several commercial pole attachments are available and can be made into a puller using a pole such as a broom, mop, or paint hand or bulb changer with a threaded end. You can also easily make such a device.
- Light clips must be "hand walked" around any corner.
- To complete installation, insert a Cam Lock at the beginning of the light string. Go to other end of string and pull string taut. Insert second Cam Lock to hold lights in place and keep them from shifting while they are

hanging.

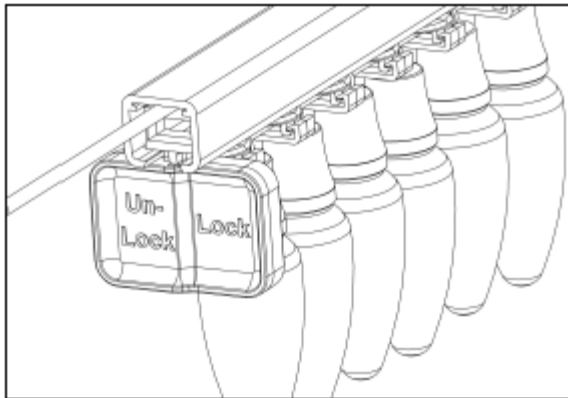


Light Removal and Storage

Step 1. Pull Lights in reverse around track after removing Cam Locks



Step 2. Off-load lights onto storage track and insert Cam Lock in each end of track.



Step 3. Hang in Garage using Peg Board hooks

(one hook on each end and one in the middle so that track does not sag). These lights are ready to hang next year, and you are ready to decorate for the next holiday (New Years, Valentine's Day, St. Patrick's Day, Easter, Independence Day, Halloween, etc.) with a different string of lights.

